

# imaFlex CXP-12 Penta

AcquisitionApplets User Documentation for  
**Acq\_SingleCXP12Area**

Functional Description  
For Framegrabber SDK Usage

Document Number: AW001887  
Part Number: 000 (English)  
Document Version: 01  
Release Date: 5 September 2024  
Applet Version 1.0.1.0

# Contacting Basler Support Worldwide

## **Europe, Middle East, Africa**

Tel. +49 4102 463 515

support.europe@baslerweb.com

## **The Americas**

Tel. +1 610 280 0171

support.usa@baslerweb.com

## **Asia-Pacific**

Tel. +65 6367 1355

support.asia@baslerweb.com

## **Singapore**

Tel. +65 6367 1355

support.asia@baslerweb.com

## **Taiwan**

Tel. +886 3 558 3955

support.asia@baslerweb.com

## **China**

Tel. +86 10 6295 2828

support.asia@baslerweb.com

## **Korea**

Tel. +82 31 714 3114

support.asia@baslerweb.com

## **Japan**

Tel. +81 3 6672 2333

support.asia@baslerweb.com

**<https://www.baslerweb.com/en/sales-support/support-contact>**

## **Supplemental Information**

Acquisition Card Documentation:

<https://docs.baslerweb.com/acquisition-cards>

Frame Grabber Documentation:

<https://docs.baslerweb.com/frame-grabbers>

Framegrabber SDK Documentation:

<https://docs.baslerweb.com/frame-grabbers/framegrabber-sdk-overview.html>

**All material in this publication is subject to change without notice and is copyright Basler AG.**

---

# Table of Contents

1. Introduction .....	1
1.1. Features of Applet Acq_SingleCXP12Area .....	1
1.1.1. Parameterization Order .....	3
1.2. Bandwidth .....	3
1.3. Requirements .....	3
1.3.1. Software Requirements .....	4
1.3.2. Hardware Requirements .....	4
1.3.3. License .....	4
1.4. Camera Interface .....	4
1.5. Frame ID .....	4
1.6. Image Transfer to PC Memory .....	4
1.7. DMA Image Tag .....	4
2. Software Interface .....	6
3. CoaXPress .....	7
3.1. FG_SYSTEMMONITOR_POWER_OVER_CXP_STATE .....	7
3.2. FG_SYSTEMMONITOR_POWER_OVER_CXP_CONTROLLER_ENABLED .....	7
3.3. FG_SYSTEMMONITOR_PORT_BIT_RATE .....	8
3.4. FG_SYSTEMMONITOR_STREAM_PACKET_SIZE .....	8
3.5. FG_SYSTEMMONITOR_CXP_STANDARD .....	9
3.6. FG_CXP_STREAM_PACKET_COUNT .....	10
3.7. FG_PIXELFORMAT .....	10
3.8. FG_SYSTEMMONITOR_USED_CXP_CONNECTIONS .....	11
3.9. FG_SYSTEMMONITOR_CXP_IMAGE_LINE_MODE .....	12
3.10. FG_TAPGEOMETRY .....	12
3.11. Test .....	13
3.11.1. FG_CXP_TRANSMITTED_PACKET_COUNT .....	14
3.11.2. FG_CXP_RECEIVED_PACKET_COUNT .....	14
3.11.3. FG_CXP_CORRUPTED_WORD_COUNT .....	14
3.11.4. FG_CXP_PACKET_LENGTH_ERROR_COUNT .....	15
3.11.5. FG_CXP_CLEAR_TEST_STATISTIC_PORT .....	15
4. Camera .....	17
4.1. Events .....	17
4.1.1. FG_CAMERA_STREAM_STATUS0 .....	17
4.1.2. FG_START_OF_FRAME_CAM_PORT_0 .....	19
4.1.3. FG_END_OF_FRAME_CAM_PORT_0 .....	19
5. Sensor Geometry .....	20
5.1. FG_VANTAGEPOINT .....	20
5.2. FG_SENSORWIDTH .....	20
5.3. FG_SENSORHEIGHT .....	21
6. ROI .....	23
6.1. FG_WIDTH .....	24
6.2. FG_HEIGHT .....	24
6.3. FG_XOFFSET .....	25
6.4. FG_YOFFSET .....	26
7. Trigger .....	27
7.1. Features and Functional Blocks of Area Trigger .....	27
7.2. Digital Input/Output Mapping .....	31
7.3. Event Overview .....	31
7.4. Trigger Scenarios .....	32
7.4.1. Internal Frequency Generator / frame grabber Controlled .....	32
7.4.2. External Trigger Signals / IO Triggered .....	34
7.4.3. Control of Three Flash Lights .....	36
7.4.4. Software Trigger .....	39
7.4.5. Software Trigger with Trigger Queue .....	42
7.4.6. External Trigger with Trigger Queue .....	44
7.4.7. Bypass External Trigger Signals .....	45

7.4.8. Multi Camera Applications / Synchronized Cameras .....	45
7.4.9. Hardware System Analysis and Error Detection / Trigger Debugging .....	45
7.5. Parameters .....	46
7.5.1. FG_AREATRIGGERMODE .....	46
7.5.2. FG_TRIGGERSTATE .....	47
7.5.3. FG_TRIGGER_FRAMESPERSECOND .....	48
7.5.4. Trigger Input .....	49
7.5.4.1. External .....	49
7.5.4.1.1. FG_TRIGGERIN_DEBOUNCE .....	49
7.5.4.1.2. FG_GPI .....	50
7.5.4.1.3. FG_FRONT_GPI .....	51
7.5.4.1.4. FG_TRIGGERIN_SRC .....	51
7.5.4.1.5. FG_TRIGGERIN_POLARITY .....	52
7.5.4.1.6. FG_TRIGGERIN_DOWNSCALE .....	53
7.5.4.1.7. FG_TRIGGERIN_DOWNSCALE_PHASE .....	53
7.5.4.2. Software Trigger .....	54
7.5.4.2.1. FG_SENDSOFTWARETRIGGER .....	54
7.5.4.2.2. FG_SOFTWARETRIGGER_IS_BUSY .....	55
7.5.4.2.3. FG_SOFTWARETRIGGER_QUEUE_FILLLEVEL .....	55
7.5.4.3. Statistics .....	56
7.5.4.3.1. FG_TRIGGERIN_STATS_SOURCE .....	56
7.5.4.3.2. FG_TRIGGERIN_STATS_POLARITY .....	56
7.5.4.3.3. FG_TRIGGERIN_STATS_PULSECOUNT .....	57
7.5.4.3.4. FG_TRIGGERIN_STATS_PULSECOUNT_CLEAR .....	58
7.5.4.3.5. FG_TRIGGERIN_STATS_FREQUENCY .....	58
7.5.4.3.6. FG_TRIGGERIN_STATS_MINFREQUENCY .....	59
7.5.4.3.7. FG_TRIGGERIN_STATS_MAXFREQUENCY .....	59
7.5.4.3.8. FG_TRIGGERIN_STATS_MINMAXFREQUENCY_CLEAR .....	60
7.5.4.3.9. FG_TRIGGER_FRONT_GPIO_RISING .....	60
7.5.4.3.10. FG_TRIGGER_FRONT_GPIO_FALLING .....	60
7.5.4.3.11. FG_TRIGGER_INPUT0_RISING .....	60
7.5.4.3.12. FG_TRIGGER_INPUT0_FALLING .....	61
7.5.5. Sequencer .....	61
7.5.5.1. FG_TRIGGER_MULTIPLY_PULSES .....	61
7.5.6. Queue .....	62
7.5.6.1. FG_TRIGGERQUEUE_MODE .....	62
7.5.6.2. FG_TRIGGERQUEUE_FILLLEVEL .....	63
7.5.6.3. FG_TRIGGER_QUEUE_FILLLEVEL_EVENT_ON_THRESHOLD .....	63
7.5.6.4. FG_TRIGGER_QUEUE_FILLLEVEL_EVENT_OFF_THRESHOLD .....	64
7.5.6.5. FG_TRIGGER_QUEUE_FILLLEVEL_THRESHOLD_CAM0_ON .....	64
7.5.6.6. FG_TRIGGER_QUEUE_FILLLEVEL_THRESHOLD_CAM0_OFF .....	64
7.5.7. Pulse Form Generator 0 .....	65
7.5.7.1. FG_TRIGGER_PULSEFORMGEN0_DOWNSCALE et al. ....	65
7.5.7.2. FG_TRIGGER_PULSEFORMGEN0_DOWNSCALE_PHASE et al. ....	66
7.5.7.3. FG_TRIGGER_PULSEFORMGEN0_DELAY et al. ....	67
7.5.7.4. FG_TRIGGER_PULSEFORMGEN0_WIDTH et al. ....	68
7.5.8. Pulse Form Generator 1 .....	68
7.5.9. Pulse Form Generator 2 .....	68
7.5.10. Pulse Form Generator 3 .....	69
7.5.11. Camera Out Signal Mapping .....	69
7.5.11.1. FG_TRIGGERCAMERA_SOURCE_CXP0 .....	69
7.5.11.2. FG_TRIGGERCAMERA_SOURCE_CXP1 .....	71
7.5.11.3. FG_TRIGGERCAMERA_SOURCE_CXP2 .....	73
7.5.11.4. FG_TRIGGERCAMERA_SOURCE_CXP3 .....	75
7.5.12. Digital Output .....	77
7.5.12.1. FG_TRIGGEROUT_SELECT_GPO_0 et al. ....	77
7.5.12.2. FG_TRIGGEROUT_SELECT_FRONT_GPO_0 .....	79
7.5.12.3. FG_TRIGGEROUT_SELECT_FRONT_GPO_1 .....	81

7.5.12.4. FG_TRIGGEROUT_SELECT_FRONT_GPO_2 .....	83
7.5.12.5. FG_TRIGGEROUT_SELECT_FRONT_GPO_3 .....	85
7.5.12.6. Statistics .....	87
7.5.12.6.1. FG_TRIGGER_EXCEEDED_PERIOD_LIMITS .....	87
7.5.12.6.2. FG_TRIGGER_EXCEEDED_PERIOD_LIMITS_CLEAR .....	87
7.5.12.6.3. FG_TRIGGEROUT_STATS_SOURCE .....	88
7.5.12.6.4. FG_TRIGGEROUT_STATS_PULSECOUNT .....	88
7.5.12.6.5. FG_TRIGGEROUT_STATS_PULSECOUNT_CLEAR .....	89
7.5.12.6.6. FG_MISSING_CAMERA_FRAME_RESPONSE .....	89
7.5.12.6.6.1. ....	89
7.5.12.6.7. FG_MISSING_CAMERA_FRAME_RESPONSE_CLEAR .....	91
7.5.12.6.8. FG_TRIGGER_EXCEEDED_PERIOD_LIMITS_CAM0 .....	91
7.5.12.6.9. FG_MISSING_CAM0_FRAME_RESPONSE .....	91
7.5.13. Output Event .....	91
7.5.13.1. FG_TRIGGER_OUTPUT_EVENT_SELECT .....	92
7.5.13.2. FG_TRIGGER_OUTPUT_CAM0 .....	92
8. Overflow .....	93
8.1. FG_FILLEVEL .....	93
8.2. FG_OVERFLOW .....	94
8.3. FG_OVERFLOW_OFF_THRESHOLD .....	94
8.4. FG_OVERFLOW_ON_THRESHOLD .....	95
8.5. FG_OVERFLOW_ON_SYNC_THRESHOLD .....	96
8.6. FG_OVERFLOW_EVENT_SELECT .....	96
8.7. Events .....	97
8.7.1. FG_OVERFLOW_CAM0 .....	98
9. Image Selector .....	99
9.1. FG_IMG_SELECT_PERIOD .....	99
9.2. FG_IMG_SELECT .....	100
10. White Balance .....	101
10.1. FG_SCALINGFACTOR_GREEN .....	101
10.2. FG_SCALINGFACTOR_RED .....	101
10.3. FG_SCALINGFACTOR_BLUE .....	102
11. Color Converter .....	103
12. Lookup Table .....	104
12.1. FG_LUT_ENABLE .....	104
12.2. FG_LUT_TYPE .....	105
12.3. FG_LUT_VALUE .....	105
12.4. FG_LUT_VALUE_RED .....	106
12.5. FG_LUT_VALUE_GREEN .....	106
12.6. FG_LUT_VALUE_BLUE .....	107
12.7. FG_LUT_CUSTOM_FILE .....	108
12.8. FG_LUT_SAVE_FILE .....	109
12.9. Applet Properties .....	110
12.9.1. FG_LUT_IMPLEMENTATION_TYPE .....	110
12.9.2. FG_LUT_IN_BITS .....	110
12.9.3. FG_LUT_OUT_BITS .....	111
13. Processing .....	112
13.1. FG_PROCESSING_OFFSET .....	113
13.2. FG_PROCESSING_GAIN .....	113
13.3. FG_PROCESSING_GAMMA .....	114
13.4. FG_PROCESSING_INVERT .....	115
14. Output Format .....	117
14.1. FG_FORMAT .....	117
14.2. FG_BITALIGNMENT .....	121
14.3. FG_PIXELDEPTH .....	121
14.4. FG_CUSTOM_BIT_SHIFT_RIGHT .....	122
15. Camera Simulator .....	124
15.1. FG_CAMERASIMULATOR_ENABLE .....	124

15.2. FG_CAMERASIMULATOR_WIDTH .....	125
15.3. FG_CAMERASIMULATOR_LINE_GAP .....	126
15.4. FG_CAMERASIMULATOR_HEIGHT .....	126
15.5. FG_CAMERASIMULATOR_FRAME_GAP .....	127
15.6. FG_CAMERASIMULATOR_PATTERN .....	128
15.7. FG_CAMERASIMULATOR_PATTERN_OFFSET .....	128
15.8. FG_CAMERASIMULATOR_ROLL .....	129
15.9. FG_CAMERASIMULATOR_SELECT_MODE .....	130
15.10. FG_CAMERASIMULATOR_PIXEL_FREQUENCY .....	130
15.11. FG_CAMERASIMULATOR_LINERATE .....	131
15.12. FG_CAMERASIMULATOR_FRAMERATE .....	131
15.13. FG_CAMERASIMULATOR_TRIGGER_MODE .....	132
15.14. FG_CAMERASIMULATOR_ACTIVE .....	133
15.15. FG_CAMERASIMULATOR_PASSIVE .....	133
16. Miscellaneous .....	135
16.1. FG_TIMEOUT .....	135
16.2. FG_APPLET_ID .....	135
16.3. FG_APPLET_BUILD_TIME .....	136
16.4. FG_HAP_FILE .....	136
16.5. FG_CAMSTATUS .....	136
16.6. FG_CAMSTATUS_EXTENDED .....	137
16.7. FG_SYSTEMMONITOR_FPGA_DNA_LOW .....	138
16.8. FG_SYSTEMMONITOR_FPGA_DNA_HIGH .....	138
16.9. Version .....	139
16.9.1. FG_APPLET_VERSION .....	139
16.9.2. FG_APPLET_REVISION .....	139
16.9.3. FG_VISUALAPPLETS_BUILD_VERSION .....	140
16.10. Legacy .....	140
16.10.1. FG_CXP_TRIGGER_PACKET_MODE .....	140
16.10.2. FG_TRIGGERCAMERA_OUT_SELECT .....	141
16.11. Debug .....	143
16.11.1. FG_DEBUGSOURCE .....	143
16.11.2. FG_DEBUGSOURCENAME .....	143
16.11.3. FG_DEBUGSAVECONFIG .....	144
16.11.4. FG_DEBUG_SLOWMODE .....	144
16.11.5. FG_DEBUG_SOFTWRAE_SLOWGATE .....	145
16.11.6. FG_DEBUG_PWM_SLOWRATE .....	145
16.11.7. FG_DEBUG_VERSION .....	146
16.11.8. FG_DEBUG_FRAMEID_TO_FIRSTPIXEL .....	146
16.11.9. Input .....	147
16.11.9.1. FG_DEBUGINENABLE .....	147
16.11.9.2. FG_DEBUGFILE .....	147
16.11.9.3. FG_DEBUGINSERT .....	148
16.11.9.4. FG_DEBUGWRITEPIXEL .....	148
16.11.9.5. FG_DEBUGWRITEFLAG .....	149
16.11.9.6. FG_DEBUGREADY .....	149
16.11.9.7. FG_DEBUG_FORCE_FRAMEID .....	150
16.11.9.8. FG_DEBUG_FRAMEID .....	150
16.11.10. Output .....	151
16.11.10.1. FG_DEBUGOUTENABLE .....	151
16.11.10.2. FG_DEBUGOUTXPOS .....	151
16.11.10.3. FG_DEBUGOUTYPOS .....	152
16.11.10.4. FG_DEBUGOUTPIXEL .....	152
16.12. GenTL .....	153
16.12.1. FG_GENTL_INFO_VERSION .....	153
16.12.2. FG_GENTL_INFO_IGNOREFGFORMAT .....	153
16.12.3. FG_GENTL_INFO_OVERFLOWCAPABLE .....	154
16.13. GPIO Configuration .....	154

16.13.1. FG_EXTENSION_GPO_TYPE .....	154
16.13.2. FG_FRONT_GPI_PULL_CONTROL .....	154
16.13.3. FG_FRONT_GPI_TYPE .....	155
16.13.4. FG_FRONT_GPO_INVERSION .....	156
17. Boardstatus .....	157
17.1. FG_SYSTEMMONITOR_CHANNEL_CURRENT .....	157
17.2. FG_SYSTEMMONITOR_CHANNEL_VOLTAGE .....	157
17.3. FG_SYSTEMMONITOR_MAPPED_TO_FG_PORT .....	158
17.4. FG_DMASTATUS .....	158
17.5. FG_SYSTEMMONITOR_FPGA_TEMPERATURE .....	159
17.6. FG_SYSTEMMONITOR_FPGA_VCC_INT .....	159
17.7. FG_SYSTEMMONITOR_FPGA_VCC_AUX .....	160
17.8. FG_SYSTEMMONITOR_FPGA_VCC_BRAM .....	160
17.9. FG_SYSTEMMONITOR_CURRENT_LINK_WIDTH .....	161
17.10. FG_SYSTEMMONITOR_CURRENT_LINK_SPEED .....	161
17.11. FG_SYSTEMMONITOR_PCIE_TRAINED_PAYLOAD_SIZE .....	162
17.12. FG_SYSTEMMONITOR_PCIE_TRAINED_REQUEST_SIZE .....	162
17.13. FG_SYSTEMMONITOR_EXTERNAL_POWER .....	163
17.14. FG_CXP_INPUT_MAPPED_FW_PORT_PORT .....	163
18. Errors .....	164
18.1. FG_SYSTEMMONITOR_DECODER_8B_10B_ERROR .....	164
18.2. FG_SYSTEMMONITOR_BYTE_ALIGNMENT_8B_10B_LOCKED .....	164
18.3. FG_SYSTEMMONITOR_RX_STREAM_INCOMPLETE_COUNT .....	165
18.4. FG_SYSTEMMONITOR_RX_UNKNOWN_DATA_RECEIVED_COUNT .....	165
18.5. FG_CXP_OVERTRIGGER_REQUEST_PULSECOUNT .....	166
18.6. FG_CXP_TRIGGER_ACK_MISSING_COUNT .....	166
18.7. FG_CXP_CONTROL_ACK_LOST_COUNT .....	167
18.8. FG_CXP_CONTROL_TAG_ERROR_COUNT .....	167
18.9. FG_CXP_CONTROL_ACK_INCOMPLETE_COUNT .....	168
18.10. FG_CXP_HEARTBEAT_INCOMPLETE_COUNT .....	168
18.11. FG_CXP_HEARTBEAT_MAX_PERIOD_VIOLATION_COUNT .....	169
18.12. FG_PACKET_TAG_ERROR_COUNT .....	169
18.13. FG_SYSTEMMONITOR_PACKETBUFFER_OVERFLOW_COUNT .....	170
18.14. FG_SYSTEMMONITOR_PACKETBUFFER_OVERFLOW_SOURCE .....	170
18.15. FG_CXP_IMAGETAG_ERROR_COUNT .....	171
18.16. FG_CXP_STREAMID_ERROR_COUNT .....	171
18.17. FG_CXP_CAMERA_MARKER_ERROR_COUNT .....	172
18.18. FG_CXP_CAMERA_UNEXPECTED_STARTUP_DATA .....	172
18.19. FG_CXP_CAMERA_FRAME_LOST_COUNT .....	173
18.20. FG_CXP_CAMERA_FRAME_CORRUPT_COUNT .....	173
18.21. CRC .....	174
18.21.1. FG_SYSTEMMONITOR_RX_PACKET_CRC_ERROR_COUNT .....	174
18.21.2. FG_CXP_STREAMPACKET_CRC_ERROR .....	174
18.21.3. FG_CXP_CONTROL_ACK_PACKET_CRC_ERROR .....	175
18.22. LengthErrors .....	175
18.22.1. FG_SYSTEMMONITOR_RX_LENGTH_ERROR_COUNT .....	175
18.22.2. FG_CXP_STREAMPACKET_LENGTH_ERROR .....	176
18.23. ReceivedPacketsCorrected .....	176
18.23.1. FG_CXP_ERROR_CORRECTED .....	176
18.23.2. FG_CXP_ERROR_CORRECTED_TRIGGER .....	177
18.23.3. FG_CXP_ERROR_CORRECTED_TRIGGER_ACK .....	177
18.23.4. FG_CXP_ERROR_CORRECTED_STREAM .....	178
18.23.5. FG_CXP_ERROR_CORRECTED_CONTROL_ACK .....	178
18.23.6. FG_CXP_ERROR_CORRECTED_LINKTEST .....	179
18.23.7. FG_CXP_ERROR_CORRECTED_HEARTBEAT .....	179
18.23.8. FG_CORRECTED_ERROR_COUNT .....	180
18.24. ReceivedPacketsUncorrected .....	180
18.24.1. FG_CXP_ERROR_UNCORRECTED .....	180

18.24.2. FG_CXP_ERROR_UNCORRECTED_TRIGGER .....	181
18.24.3. FG_CXP_ERROR_UNCORRECTED_TRIGGER_ACK .....	181
18.24.4. FG_CXP_ERROR_UNCORRECTED_STREAM .....	182
18.24.5. FG_CXP_ERROR_UNCORRECTED_CONTROL_ACK .....	182
18.24.6. FG_CXP_ERROR_UNCORRECTED_LINKTEST .....	183
18.24.7. FG_CXP_ERROR_UNCORRECTED_HEARTBEAT .....	183
18.24.8. FG_UNCORRECTED_ERROR_COUNT .....	184
18.25. UnsupportedPackets .....	184
18.25.1. FG_SYSTEMMONITOR_RX_UNSUPPORTED_PACKET_COUNT .....	184
18.25.2. FG_CXP_UNSUPPORTED_GPIO_RECEIVED .....	185
18.25.3. FG_CXP_UNSUPPORTED_EVENT_RECEIVED .....	185
18.25.4. FG_CXP_UNSUPPORTED_HEARTBEAT_RECEIVED .....	185
18.25.5. FG_CXP_UNSUPPORTED_GPIO_ACK_RECEIVED .....	186
18.25.6. FG_CXP_UNSUPPORTED_GPIO_REQUEST_RECEIVED .....	186
19. Revision History .....	188
Glossary .....	189
Index .....	192



---

# Chapter 1. Introduction

This document provides you with detailed information on applet "Acq\_SingleCXP12Area" for imaFlex CXP-12 Penta frame grabber.



This document will outline the features and benefits of this applet. Furthermore, the output formats and the software interface is explained. The main part of this document includes the detailed description of all applet modules and their parameters which make the applet adaptable for numerous applications.


## 1.1. Features of Applet Acq\_SingleCXP12Area

"Acq\_SingleCXP12Area" is an applet for one camera (single-camera applet). You can configure the CoaXPress camera interface for CoaXPress cameras version 1.1.1 and 2.0, transferring grayscale (monochrome), Bayer pattern, or color pixels. Allowed pixel formats are Gray (Mono8, Mono10, Mono12, Mono14, Mono16), Bayer (BayerGR8, BayerGR10, BayerGR12, BayerGR14, BayerRG8, BayerRG10, BayerRG12, BayerRG14, BayerGB8, BayerGB10, BayerGB12, BayerGB14, BayerBG8, BayerBG10, BayerBG12, BayerBG14), Color (RGB8, RGB10, RGB12, RGB14, RGB16), and YCbCr422\_8. You can use a camera with CoaXPress link aggregation of 4, 2, or 1 with this applet. The maximum link speed is CXP-12. A multi-functional area trigger is included in the applet. This allows you to control the camera or external devices using frame grabber generated, external, or software generated trigger pulses. Area scan cameras transferring images with a resolution of up to 32768 by 65536 pixels are supported. The applet is processing data at a bit depth of 16 bits. An image selector at the camera port facilitates the selection of one image out of a parameterizable sequence of images. This enables the distribution of the images to multiple frame grabber and PCs. The applet supports tap geometry sorting 1X-1Y as well as 1X-2YE. For reverse operation, you can mirror the image in x-direction and y-direction before cutting the ROI. Acquired images are buffered in frame grabber memory. You can select a region of interest (ROI) for further processing. The stepsize of the ROI width is 32 pixel. The ROI stepsize for the image height is 1 line. The high quality Bayer pattern de-mosaicing is based on a 5x5 kernel size. A color converter automatically converts the input pixel formats to the output formats. In this applet conversions from monochrome, RGB or Bayer to monochrome and RGB can be performed. You can configure the 14 bit full resolution lookup table either by using a user defined table, or by using a processor. The processor gives you the opportunity to use pre-defined functions such as offset, gain, invert to enhance the image quality. The color components are processed individually. A gamma correction is possible.

Processed image data are output by the applet via a high speed DMA channel. You can select the pixel format of the output. The pixel format can either be 8 bit, 10 bit packed, 12 bit packed, 14 bit packed, or 16 bits per pixel (or per pixel component if you work with a color format).

You can easily include the applet into your own applications using the Basler Framegrabber SDK.

Table 1.1. Feature Summary of Acq\_SingleCXP12Area

Feature	Applet Property
Applet Name	 Acq_SingleCXP12Area
Type of Applet	AcquisitionApplets
Board	imaFlex CXP-12 Penta
No. of Cameras	1
Camera Type	CoaXPress, link aggregation max. 4, maximum speed CXP-12, Version 1.1.1 and 2.0
Sensor Type	Area Scan
Camera Format	Monochrome, Bayer pattern or RGB
Pixel Format	Gray (Mono8, Mono10, Mono12, Mono14, Mono16), Bayer (BayerGR8, BayerGR10, BayerGR12, BayerGR14, BayerRG8, BayerRG10, BayerRG12, BayerRG14, BayerGB8, BayerGB10, BayerGB12, BayerGB14, BayerBG8, BayerBG10, BayerBG12, BayerBG14), Color (RGB8, RGB10, RGB12, RGB14, RGB16), and YCbCr422_8.
Processing Bit Depth	16 Bit per color component
Maximum Images Dimensions	32768 * 65536
ROI Stepsize	x: 32, y: 1
Tap Geometry Sorting	1X-1Y, 1X-2YE
Mirroring	Yes, horizontal and vertical (set the parameter <i>FG_VANTAGEPOINT</i> )
Image Selector	Yes
Noise Filter	No
Shading Correction	No
Dead Pixel Interpolation	No
Bayer Filter	Yes, High Quality Extended (HQe)
Color White Balancing	Yes
Color Converter	yes, Mono, RGB or Bayer to Mono or RGB
Lookup Table	Full Resolution  Input bits = 14, Output bits = 16  Lookup table can be disabled.
DMA	Full Speed
DMA Image Output Format	All grayscale and color formats. See description above.
Event Generation	yes
Overflow Control	yes

### 1.1.1. Parameterization Order

We recommend to configure the functional blocks which are responsible for sensor setup/correction first. This will be the camera settings, shading correction, and dead pixel interpolation (if available). Afterwards, you can configure other image enhancement functional blocks such as white balancing, noise filter, and lookup table. By default, all presets are configured for receiving images directly.

## 1.2. Bandwidth

The maximum bandwidths of applet Acq\_SingleCXP12Area are listed in the following table.

Table 1.2. Bandwidth of Acq\_SingleCXP12Area

Description	Bandwidth
Max. CXP Speed	CXP-12
Peak Bandwidth per Camera	4850 MPixel/s
Mean Bandwidth per Camera	4850 MPixel/s
DMA Bandwidth	7200 MByte/s (depends on PC mainboard)

The peak bandwidth defines the maximum allowed bandwidth for each camera at the camera interface. If the camera's peak bandwidth is higher than the mean bandwidth, the frame grabber on-board buffer will fill up as the data can be buffered, but not be processed at that speed.

The mean bandwidth per camera describes the maximally allowed mean bandwidth for each camera at the camera interface. It is the product of the framerate and the image pixels. For example, with 1-megapixel images at a framerate of 100 frames per second, the mean bandwidth will be 100 MPixel/s. In case of 8bit per pixel as output format, this would be equal to 100 MB per second.

The required output bandwidth of an applet can differ from the input bandwidth. A region of interest (ROI) and the output format can change the required output bandwidth and the maximum mean bandwidth. Moreover, this applet is a Bayer applet. The required output bandwidth will be three times higher than the input bandwidth. (This applies only when debayering is switched to ON.)

Regard the relation between MPixel/s and MByte/s: The MByte/s depend on the applet and its parameterization concerning the pixel format. It is possible to acquire more than 8 bit per pixel or to convert from one bit depth to another. 1 MByte is 1,000,000 Byte.



### Bandwidth Varies

The exact maximum DMA bandwidth depends on the used PC system and its chipset. The camera bandwidth depends on the image size and the selected frame rate. The given values of 7200 MByte/s for the possible DMA bandwidth might be lower due to the chipset and its configuration. Additionally, some PCIe slots do not support the required number of lanes to transfer the requested or expected bandwidth. In these cases, have a look at the mainboard specification. A behaviour like multiplexing between several PCIe slots can be seen in rare cases. Some mainboard manufacturers provide a BIOS feature where you can select the PCIe payload size: Always try to set this to its maximum value or simply to automatic. This can help in specific cases.

## 1.3. Requirements

In the following, the requirements on software, hardware and frame grabber license are listed.

### 1.3.1. Software Requirements

To run this applet, a Basler Framegrabber SDK installation is required. Ensure you use the applet with compatible versions only. You should also take care to use the board firmware and drivers included in the Basler Framegrabber SDK.

For integration in 3rd party applications, check Chapter 2, '*Software Interface*'.

### 1.3.2. Hardware Requirements

To run applet "Acq\_SingleCXP12Area", a Basler imaFlex CXP-12 Penta frame grabber is required.

For PC system requirements, check the frame grabber hardware documentation. The applet itself does not require any additional PC system requirements.

### 1.3.3. License

This applet is of type AcquisitionApplets. For applets of this type, no license is required. All compatible frame grabbers can run the applet using the Basler Framegrabber SDK.

## 1.4. Camera Interface

Applet "Acq\_SingleCXP12Area" supports 1 CXP camera. The frame grabber has 5 connectors. Use four, two, or one CoaXPress cables to connect the camera with the frame grabber. The maximum link aggregation of this applet is four. The mapping of the ports between the camera and the frame grabber is not important. You can chose any order.

Figure 1.1. Camera Interface and Camera Cable Setup

## 1.5. Frame ID

For CoaXPress cameras, each frame includes a source tag also called frame ID. This applet will output each frame to the host PC attached with this frame ID. Moreover, overflow events will also include this frame ID. By this, the exact mapping of a given frame in the host PC to a camera frame is possible.

Check chapter Chapter 8, '*Overflow*' for more information about overflow conditions and the overflow event data structure including the frame ID.

Check chapter Section 1.7, '*DMA Image Tag*' to get information on how to obtain the frame ID along with a given image in the host PC application.

## 1.6. Image Transfer to PC Memory

The image transfer between frame grabber and PC is performed via DMA transfers. In this applet, only one DMA channel exists for transferring image data. The DMA channel has index 0. The applet output format can be set via the parameters of the output format module. See Chapter 14, '*Output Format*'. All outputs are little-endian coded.

## 1.7. DMA Image Tag

The applet generates a DMA image tag (**FG\_IMAGE\_TAG**) for every correct transmitted frame. The **FG\_IMAGE\_TAG** has the folowing structure:

Table 1.3. Structure of FG\_IMAGE\_TAG

Bits	Description
0..15	frameID transmitted by the Camera
16..29	reserved = 0
30	invalid image flag (the image was cut of due to overflow in the framegrabber)
31	Last Image of Multi Buffer Sequence (always 1 in case of an area applet)

You may check for lost or corrupted frames using the overflow module described in Chapter 8, 'Overflow'. The trigger system offers possibilities to detect lost trigger signals. See Chapter 7, 'Trigger' for more information.

---

# Chapter 2. Software Interface

The software interface of this applet is fully compatible to the Basler Framegrabber SDK. Please read the Basler Framegrabber API manual of the Basler Framegrabber SDK to understand how to include the frame grabbers and their applets into own applications. <https://docs.baslerweb.com/frame-grabbers/framegrabber-sdk-overview.html>

The Basler Framegrabber SDK includes functional SDK examples which use the features of the Framegrabber SDK. Most of these examples can be used with this AcquisitionApplets. These examples are very useful to learn on how to acquire images, set parameters and use events.

This document is focused on the explanation of the functionality and parameterization of the applet. The next chapters will list all parameters of this applet. Keep in mind that for multi-camera applets, parameters can be set for all cameras individually. The sample source codes parameterize the processing components of the first camera. The index in the source code examples has to be changed for the other cameras.

Amongst others, parameters of the applet are set and read using functions

- `int Fg_setParameter(Fg_Struct *Fg, const int Parameter, const void *Value, const unsigned int index)`
- `int Fg_setParameterWithType(Fg_Struct *Fg, const int Parameter, const void *Value, const unsigned int index, const enum FgParamTypes type)`
- `int Fg_getParameter(Fg_Struct *Fg, int Parameter, void *Value, const unsigned int index)`
- `int Fg_getParameterWithType(Fg_Struct *Fg, const int Parameter, void *Value, const unsigned int index, const enum FgParamTypes type)`

The index is used to address a DMA channel, a camera index or a processing logic index. It is important to understand the relations between cameras, processes, parameters and DMA channels. This AcquisitionApplets is a single camera applet and is using only one DMA channel. All parameterizations are made using index 0 only.

For applets having multiple DMA channels for each camera, the relation between the indices is more complex. Please check the respective documentation of these applets for more details.

---

# Chapter 3. CoaXPress

This applet can be used with one area scan camera. To receive correct image data from your camera, it is crucial that the camera output format matches the selected frame grabber input format. The following parameters configure the frame grabber's camera interface to match with the individual camera pixel format. Most cameras support different operation modes. Consult the manual of your camera to obtain the necessary information how to configure the camera to the desired pixel format.

Ensure that the images transferred by the camera do not exceed the maximum allowed image dimensions for this applet (32768 x 65536).

With the following parameters you can define the way trigger packets are sent from the frame grabber to the camera on the CXP link.

This applet allows the usage of 1x-2ye and 1x-1y sorting of the image data according to the CoaXPress standard.

## 3.1. FG\_SYSTEMMONITOR\_POWER\_OVER\_CXP\_STATE

Returns the power over CXP (PoCXP) state. Range: {BOOTING, POCXPOK, MAX\_CURR, LOW\_VOLT, OVER\_VOLT, ADC\_Chip\_Error}. The first 5 states are defined by the CXP standard for the PoCXP state machine. The last state ADC\_Chip\_Error represents an error when the communication between the FPGA and the ADC chip is disrupted. The communication between the FPGA and ADC chip measures the voltage and current of the channel.

Table 3.1. Parameter properties of FG\_SYSTEMMONITOR\_POWER\_OVER\_CXP\_STATE

Property	Value
Name	<b>FG_SYSTEMMONITOR_POWER_OVER_CXP_STATE</b>
Display Name	<b>Systemmonitor Power Over CXP State</b>
Type	<b>Unsigned Integer Field</b>
Field Size	<b>5</b>
Access policy	<b>Read-Only</b>
Storage policy	<b>Transient</b>

Example 3.1. Usage of FG\_SYSTEMMONITOR\_POWER\_OVER\_CXP\_STATE

```
int result = 0;

FieldParameterInt access;
const enum FgParamTypes type = FG_PARAM_TYPE_STRUCT_FIELDPARAMINT;

if ((result = Fg_getParameterWithType(fg, FG_SYSTEMMONITOR_POWER_OVER_CXP_STATE, &access, 0, type)) < 0) {
    /* error handling */
}
}
```

## 3.2.

## FG\_SYSTEMMONITOR\_POWER\_OVER\_CXP\_CONTROLLER\_ENABLED

Indicates whether the power over CXP (PoCXP) controller is enabled. Range: {NO, YES}. YES: The camera is powered via the CXP cable when connected. NO: The camera is not powered via the CXP cable. This parameter doesn't indicate whether the camera is sourced or not, instead it indicates whether powering the camera via the CXP cable is enabled or not.

Table 3.2. Parameter properties of FG\_SYSTEMMONITOR\_POWER\_OVER\_CXP\_CONTROLLER\_ENABLED

Property	Value
Name	<b>FG_SYSTEMMONITOR_POWER_OVER_CXP_CONTROLLER_ENABLED</b>
Display Name	<b>Systemmonitor Power Over CXP Controller Enabled</b>
Type	<b>Unsigned Integer Field</b>
Field Size	<b>5</b>
Access policy	<b>Read-Only</b>
Storage policy	<b>Transient</b>

Example 3.2. Usage of FG\_SYSTEMMONITOR\_POWER\_OVER\_CXP\_CONTROLLER\_ENABLED

```

int result = 0;

FieldParameterInt access;
const enum FgParamTypes type = FG_PARAM_TYPE_STRUCT_FIELDPARAMINT;

if ((result = Fg_getParameterWithType(fg, FG_SYSTEMMONITOR_POWER_OVER_CXP_CONTROLLER_ENABLED, &access, 0, type)) < 0) {
    /* error handling */
}

```

### 3.3. FG\_SYSTEMMONITOR\_PORT\_BIT\_RATE

Returns the port bit rate of the CXP channel.

Table 3.3. Parameter properties of FG\_SYSTEMMONITOR\_PORT\_BIT\_RATE

Property	Value
Name	<b>FG_SYSTEMMONITOR_PORT_BIT_RATE</b>
Display Name	<b>Systemmonitor Port Bit Rate</b>
Type	<b>Double Field</b>
Field Size	<b>5</b>
Access policy	<b>Read-Only</b>
Storage policy	<b>Transient</b>
Unit of measure	<b>Gb/s</b>

Example 3.3. Usage of FG\_SYSTEMMONITOR\_PORT\_BIT\_RATE

```

int result = 0;

FieldParameterDouble access;
const enum FgParamTypes type = FG_PARAM_TYPE_STRUCT_FIELDPARAMDOUBLE;

if ((result = Fg_getParameterWithType(fg, FG_SYSTEMMONITOR_PORT_BIT_RATE, &access, 0, type)) < 0) {
    /* error handling */
}

```

### 3.4. FG\_SYSTEMMONITOR\_STREAM\_PACKET\_SIZE

Returns the stream packet size in bytes. Range: between 4 and 65535 bytes in steps of 4 bytes.



Table 3.4. Parameter properties of FG\_SYSTEMMONITOR\_STREAM\_PACKET\_SIZE

Property	Value
Name	<b>FG_SYSTEMMONITOR_STREAM_PACKET_SIZE</b>
Display Name	<b>Systemmonitor Stream Packet Size</b>
Type	<b>Unsigned Integer Field</b>
Field Size	<b>5</b>
Access policy	<b>Read-Only</b>
Storage policy	<b>Transient</b>

Example 3.4. Usage of FG\_SYSTEMMONITOR\_STREAM\_PACKET\_SIZE

```

int result = 0;

FieldParameterInt access;
const enum FgParamTypes type = FG_PARAM_TYPE_STRUCT_FIELDPARAMINT;

if ((result = Fg_getParameterWithType(fg, FG_SYSTEMMONITOR_STREAM_PACKET_SIZE, &access, 0, type)) < 0) {
    /* error handling */
}

```

### 3.5. FG\_SYSTEMMONITOR\_CXP\_STANDARD

Returns the version of the used CXP standard.

Table 3.5. CXP Standard Version

CXP Standard Version		
CXP_1_0		
CXP_1_1_1		
CXP_2_0		
Unknown		

Table 3.6. Parameter properties of FG\_SYSTEMMONITOR\_CXP\_STANDARD

Property	Value
Name	<b>FG_SYSTEMMONITOR_CXP_STANDARD</b>
Display Name	<b>Systemmonitor CXP Standard</b>
Type	<b>Unsigned Integer Field</b>
Field Size	<b>5</b>
Access policy	<b>Read-Only</b>
Storage policy	<b>Transient</b>

Example 3.5. Usage of FG\_SYSTEMMONITOR\_CXP\_STANDARD

```

int result = 0;

FieldParameterInt access;
const enum FgParamTypes type = FG_PARAM_TYPE_STRUCT_FIELDPARAMINT;

if ((result = Fg_getParameterWithType(fg, FG_SYSTEMMONITOR_CXP_STANDARD, &access, 0, type)) < 0) {
    /* error handling */
}

```

### 3.6. FG\_CXP\_STREAM\_PACKET\_COUNT

This parameter counts the amount of received stream packets. Bits [29:0] count the number of packets. Bit [30] is set when a counter overflow occurs. Range: 0 to 4294967295 (32 bit).

Table 3.7. Parameter properties of FG\_CXP\_STREAM\_PACKET\_COUNT

Property	Value
Name	<b>FG_CXP_STREAM_PACKET_COUNT</b>
Display Name	<b>CXP Stream Packet Count</b>
Type	<b>Unsigned Integer Field</b>
Field Size	<b>5</b>
Access policy	<b>Read-Only</b>
Storage policy	<b>Transient</b>

Example 3.6. Usage of FG\_CXP\_STREAM\_PACKET\_COUNT

```
int result = 0;

FieldParameterInt access;
const enum FgParamTypes type = FG_PARAM_TYPE_STRUCT_FIELDPARAMINT;

if ((result = Fg_getParameterWithType(fg, FG_CXP_STREAM_PACKET_COUNT, &access, 0, type)) < 0) {
    /* error handling */
}
}
```

### 3.7. FG\_PIXELFORMAT

This parameter specifies the data format of the connected camera.

The formats defined in the following list can be selected. Choose the pixel format which best matches with your camera.

In this applet, the processing data bit depth is 16 bit. The camera interface automatically performs a conversion to the 16 bit format using bit shifting independently from the selected camera format. If the camera bit depth is greater than the processing bit depth, bits will be right shifted to meet the internal bit depth. If the camera bit depth is less than the processing bit depth, bits will be left shifted to meet the internal bit depth. In this case, the lower bits are fixed to zero.

This applet performs a Bayer de-mosaicing. The Bayer pattern is derived from the pixel format.

Table 3.8. Parameter properties of FG\_PIXELFORMAT

Property	Value
Name	<b>FG_PIXELFORMAT</b>
Display Name	<b>Pixel Format</b>
Type	<b>Enumeration</b>
Access policy	<b>Read/Write/Change</b>
Storage policy	<b>Persistent</b>
Allowed values	<b>BayerGR8</b> Bayer GR 8 <b>BayerGR10</b> Bayer GR 10p <b>BayerGR12</b> Bayer GR 12p <b>BayerGR14</b> Bayer GR 14p <b>BayerRG8</b> Bayer RG 8 <b>BayerRG10</b> Bayer RG 10p <b>BayerRG12</b> Bayer RG 12p <b>BayerRG14</b> Bayer RG 14p <b>BayerGB8</b> Bayer GB 8 <b>BayerGB10</b> Bayer GB 10p <b>BayerGB12</b> Bayer GB 12p <b>BayerGB14</b> Bayer GB 14p <b>BayerBG8</b> Bayer BG 8 <b>BayerBG10</b> Bayer BG 10p <b>BayerBG12</b> Bayer BG 12p <b>BayerBG14</b> Bayer BG 14p <b>Mono8</b> Mono 8 <b>Mono10</b> Mono 10p <b>Mono12</b> Mono 12p <b>Mono14</b> Mono 14p <b>Mono16</b> Mono 16p <b>RGB8</b> RGB 8 <b>RGB10</b> RGB 10p <b>RGB12</b> RGB 12p <b>RGB14</b> RGB 14p <b>RGB16</b> RGB 16 <b>YUV422_8</b> YCbCr422_8
Default value	<b>Mono8</b>

Example 3.7. Usage of FG\_PIXELFORMAT

```

int result = 0;
int value = Mono8;
const enum FgParamTypes type = FG_PARAM_TYPE_INT32_T;

if ((result = Fg_setParameterWithType(fg, FG_PIXELFORMAT, &value, 0, type)) < 0) {
    /* error handling */
}

if ((result = Fg_getParameterWithType(fg, FG_PIXELFORMAT, &value, 0, type)) < 0) {
    /* error handling */
}

```

### 3.8. FG\_SYSTEMMONITOR\_USED\_CXP\_CONNECTIONS

The currently used number of CXP ports used in this process.

Table 3.9. Parameter properties of FG\_SYSTEMMONITOR\_USED\_CXP\_CONNECTIONS

Property	Value
Name	<b>FG_SYSTEMMONITOR_USED_CXP_CONNECTIONS</b>
Display Name	<b>System Monitor Used Cxp Connections</b>
Type	<b>Unsigned Integer</b>
Access policy	<b>Read-Only</b>
Storage policy	<b>Persistent</b>
Allowed values	<b>Minimum 1</b> <b>Maximum 4</b> <b>Stepsize 1</b>

Example 3.8. Usage of FG\_SYSTEMMONITOR\_USED\_CXP\_CONNECTIONS

```

int result = 0;
unsigned int value = 0;
const enum FgParamTypes type = FG_PARAM_TYPE_UINT32_T;

if ((result = Fg_getParameterWithType(fg, FG_SYSTEMMONITOR_USED_CXP_CONNECTIONS, &value, 0, type)) < 0) {
    /* error handling */
}

```

### 3.9. FG\_SYSTEMMONITOR\_CXP\_IMAGE\_LINE\_MODE

This parameter informs on the current transfer mode, used by the camera. The transfer can be an areascan (= 0) or linescan (= 1) image.

Table 3.10. Parameter properties of FG\_SYSTEMMONITOR\_CXP\_IMAGE\_LINE\_MODE

Property	Value
Name	<b>FG_SYSTEMMONITOR_CXP_IMAGE_LINE_MODE</b>
Display Name	<b>System Monitor Cxp Image Line Mode</b>
Type	<b>Unsigned Integer</b>
Access policy	<b>Read-Only</b>
Storage policy	<b>Persistent</b>
Allowed values	<b>Minimum 0</b> <b>Maximum 1</b> <b>Stepsize 1</b>

Example 3.9. Usage of FG\_SYSTEMMONITOR\_CXP\_IMAGE\_LINE\_MODE

```

int result = 0;
unsigned int value = 0;
const enum FgParamTypes type = FG_PARAM_TYPE_UINT32_T;

if ((result = Fg_getParameterWithType(fg, FG_SYSTEMMONITOR_CXP_IMAGE_LINE_MODE, &value, 0, type)) < 0) {
    /* error handling */
}

```

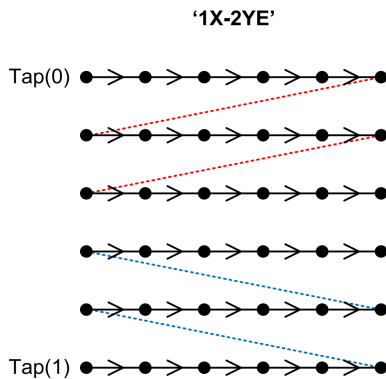
### 3.10. FG\_TAPGEOMETRY

Defines the tap geometry sorting of the applet.

The applet supports **FG\_GEOMETRY\_1X\_1Y** or **FG\_GEOMETRY\_1X\_2YE**. With **FG\_GEOMETRY\_1X\_1Y** mode you define that the whole image is transferred as one data stream. This mode is the default mode for most cameras.

As sensors grow bigger, a faster readout is needed. To achieve this, use the **FG\_GEOMETRY\_1X\_2YE** mode. In **FG\_GEOMETRY\_1X\_2YE** mode, the sensor is read out in two subframes at once. Both subframes are transferred simultaneously using two streams.

The following image shows how the frames are composed:



If tap sorting is used, the applet combines all subframes into one frame. In order to get correct frames, the tap sorting of the applet needs to match the camera tap sorting.

If **FG\_TAPGEOMETRY** is set to **FG\_GEOMETRY\_1X\_2YE**, the parameter **FG\_SENSORHEIGHT** needs to be set to the camera ROI size and must be an even integer. The parameter dependency will then be: **FG\_YOFFSET + FG\_HEIGHT <= FG\_SENSORHEIGHT**.

Table 3.11. Parameter properties of **FG\_TAPGEOMETRY**

Property	Value
Name	<b>FG_TAPGEOMETRY</b>
Display Name	<b>Tap Geometry</b>
Type	<b>Enumeration</b>
Access policy	<b>Read/Write</b>
Storage policy	<b>Persistent</b>
Allowed values	<b>FG_GEOMETRY_1X_1Y</b> 1X-1Y <b>FG_GEOMETRY_1X_2YE</b> 1X-2YE
Default value	<b>FG_GEOMETRY_1X_1Y</b>

Example 3.10. Usage of **FG\_TAPGEOMETRY**

```
int result = 0;
int value = FG_GEOMETRY_1X_1Y;
const enum FgParamTypes type = FG_PARAM_TYPE_INT32_T;

if ((result = Fg_setParameterWithType(fg, FG_TAPGEOMETRY, &value, 0, type)) < 0) {
    /* error handling */
}

if ((result = Fg_getParameterWithType(fg, FG_TAPGEOMETRY, &value, 0, type)) < 0) {
    /* error handling */
}
```

## 3.11. Test

This category gives information about CXP link test statistics. It shows counters for received and transmitted CXP packets as well as statistics on corrupted words and length errors. Additionally, it enables the user to reset the statistics counter for each channel separately.

### 3.11.1. FG\_CXP\_TRANSMITTED\_PACKET\_COUNT

This parameter counts the amount of link test packets that were transmitted. This register is useful to see how many packets were sent since the start of the test. It is cleared with the clear bit from the test statistics clear register.

Table 3.12. Parameter properties of FG\_CXP\_TRANSMITTED\_PACKET\_COUNT

Property	Value
Name	FG_CXP_TRANSMITTED_PACKET_COUNT
Display Name	CXP Transmitted Packets Count
Type	Unsigned Integer Field
Field Size	5
Access policy	Read-Only
Storage policy	Persistent

Example 3.11. Usage of FG\_CXP\_TRANSMITTED\_PACKET\_COUNT

```
int result = 0;

FieldParameterInt access;
const enum FgParamTypes type = FG_PARAM_TYPE_STRUCT_FIELDPARAMINT;

if ((result = Fg_getParameterWithType(fg, FG_CXP_TRANSMITTED_PACKET_COUNT, &access, 0, type)) < 0) {
    /* error handling */
}
}
```

### 3.11.2. FG\_CXP\_RECEIVED\_PACKET\_COUNT

This parameter counts the amount of received link test packets. It is cleared with the clear bit from the test statistics clear register.

Table 3.13. Parameter properties of FG\_CXP\_RECEIVED\_PACKET\_COUNT

Property	Value
Name	FG_CXP_RECEIVED_PACKET_COUNT
Display Name	CXP Received Packet Count
Type	Unsigned Integer Field
Field Size	5
Access policy	Read-Only
Storage policy	Persistent

Example 3.12. Usage of FG\_CXP\_RECEIVED\_PACKET\_COUNT

```
int result = 0;

FieldParameterInt access;
const enum FgParamTypes type = FG_PARAM_TYPE_STRUCT_FIELDPARAMINT;

if ((result = Fg_getParameterWithType(fg, FG_CXP_RECEIVED_PACKET_COUNT, &access, 0, type)) < 0) {
    /* error handling */
}
}
```

### 3.11.3. FG\_CXP\_CORRUPTED\_WORD\_COUNT

This parameter counts the amount of measured packet word errors. A packet word is a 32-bit CXP native word which carries 4 test characters. It is cleared with the clear bit from the test statistics clear register.

Table 3.14. Parameter properties of FG\_CXP\_CORRUPTED\_WORD\_COUNT

Property	Value
Name	FG_CXP_CORRUPTED_WORD_COUNT
Display Name	CXP Corrupted Word Count
Type	Unsigned Integer Field
Field Size	5
Access policy	Read-Only
Storage policy	Persistent

Example 3.13. Usage of FG\_CXP\_CORRUPTED\_WORD\_COUNT

```
int result = 0;

FieldParameterInt access;
const enum FgParamTypes type = FG_PARAM_TYPE_STRUCT_FIELDPARAMINT;

if ((result = Fg_getParameterWithType(fg, FG_CXP_CORRUPTED_WORD_COUNT, &access, 0, type)) < 0) {
    /* error handling */
}
}
```

### 3.11.4. FG\_CXP\_PACKET\_LENGTH\_ERROR\_COUNT

This parameter counts the amount of packets which didn't provide 1024 test words. CXP standard defines a test packet to contain 4096 test characters, i.e. 1024 x 32 bit words. This packet is repeated infinitely until the test is terminated. The count range is [0; 128]. The maximal value 128 means that there were at least 128 or more packets which violated the length requirements as defined in CXP 2.0 standard chapter 9.9.2.

Table 3.15. Parameter properties of FG\_CXP\_PACKET\_LENGTH\_ERROR\_COUNT

Property	Value
Name	FG_CXP_PACKET_LENGTH_ERROR_COUNT
Display Name	CXP Packet Length Error Count
Type	Unsigned Integer Field (64 Bit)
Field Size	5
Access policy	Read-Only
Storage policy	Persistent

Example 3.14. Usage of FG\_CXP\_PACKET\_LENGTH\_ERROR\_COUNT

```
int result = 0;

FieldParameterAccess access;
const enum FgParamTypes type = FG_PARAM_TYPE_STRUCT_FIELDPARAMACCESS;

if ((result = Fg_getParameterWithType(fg, FG_CXP_PACKET_LENGTH_ERROR_COUNT, &access, 0, type)) < 0) {
    /* error handling */
}
}
```

### 3.11.5. FG\_CXP\_CLEAR\_TEST\_STATISTIC\_PORT

This parameter clears all test counters to zero for the channel selected by the parameter field index.

Table 3.16. Parameter properties of FG\_CXP\_CLEAR\_TEST\_STATISTIC\_PORT

Property	Value
Name	FG_CXP_CLEAR_TEST_STATISTIC_PORT
Display Name	CXP Clear Test Statistic Port
Type	Unsigned Integer Field
Field Size	5
Access policy	Read/Write
Storage policy	Persistent
Default value	0

Example 3.15. Usage of FG\_CXP\_CLEAR\_TEST\_STATISTIC\_PORT

```

int result = 0;

FieldParameterInt access;
const enum FgParamTypes type = FG_PARAM_TYPE_STRUCT_FIELDPARAMINT;

for (unsigned int i = 0; i < 5; ++i)
{
    access.index = i;
    access.value = 0;

    if ((result = Fg_setParameterWithType(fg, FG_CXP_CLEAR_TEST_STATISTIC_PORT, &access, 0, type)) < 0) {
        /* error handling */
    }

    if ((result = Fg_getParameterWithType(fg, FG_CXP_CLEAR_TEST_STATISTIC_PORT, &access, 0, type)) < 0) {
        /* error handling */
    }
}

```



---

# Chapter 4. Camera

This applet Acq\_SingleCXP12Area for the imaFlex CXP-12 Penta acquires the sensor data of an area scan camera. When this is performed some sensor dimension depending information can be used to register an event based callback function.

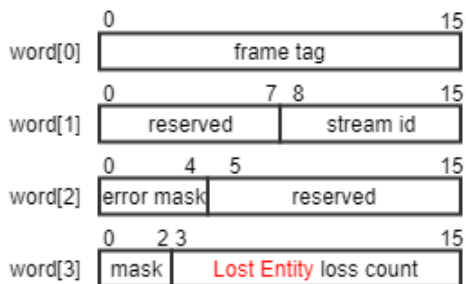
## 4.1. Events

In programming or runtime environments, a callback function is a piece of executable code that is passed as an argument, which is expected to call back (execute) exactly that time an event is triggered. This applet can generate some software callback events based on applet-events as explained in the following section. These events are not related to a special camera functionality. Other event sources are described in additional sections of this document.

The Basler Framegrabber SDK enables an application to get these event notifications about certain state changes at the data flow from camera to RAM and the image and trigger processing as well. Please consult the Basler Framegrabber SDK documentation for more details concerning the implementation of this functionality.

### 4.1.1. FG\_CAMERA\_STREAM\_STATUS0

When the operator detects that the received reconstructed frame is larger or smaller than what was promoted by the camera in the CXP image header, a safety circuit gets activated. The operator then cuts off exceeding pixels and lines, so that the subsequent processing pipeline always sees the frame size which was defined in the image header. If the received frame is smaller in its dimensions than what was specified in the image header, the operator fills up the received frame with undefined data to achieve the specified frame dimensions which were defined in the image header. Filling up a smaller frame can cause the follow-up frames to get lost. The loss is then reported per event to the runtime software (Framegrabber SDK)(see the following paragraph). The size mismatch causes an event, too.



The event payload is provided as four 16-bit data words. The event format is defined as follows:

- word [0]
  - bits [0:15]: CXP image tag in which the event occurred.
- word [1]
  - bits [8:15]: Stream ID in which the event occurred.
  - bits [0:7]: Reserved, treat as don't care.
- word [2]
  - bit [0]: CRC error occurred.
  - bit [1]: Stream marker error detected in the image header.

- bit [2]: An error in the image header was detected which could not be corrected.
- bit [3]: A frame size error was detected, i.e. the image size defined in the CXP image header isn't matching the reconstructed frame size from the transmitted packets. This happens when the camera puts one info into the image header but transmits different amount of data as promoted in the header.
- bits [4:15]: Reserved, treat as don't care.
- word [3]
  - bit [0]: Event type, 0 = Corrupted Entity , 1 = Lost Entity.
    - **Corrupted Entity** means that the error happens within a frame and that this frame is already sourced into the VisualApplets pipeline.
    - **Lost Entity** means that the error occurred before the frame was forwarded to the following operators and the frame was discarded by the camera operator.
    - When a corrupted entity is observed, the operator will fill up the frame according to the CXP image header definition so that the following operators will not cause undefined behavior. During this fill-up, a new frame may arrive and will then get lost. The lost entity event will also be raised when the camera sends data with a gap according to the frame tag.
  - bit [1]: An event loss for type **Corrupted Entity** occurred. This means that preceding events of type **Corrupted Entity** got lost. This happens when the runtime software is not reacting to events and the internal event queues ran full.
  - bit [2]: An event loss for type **Lost Entity** occurred. This means that preceding events of type **Lost Entity** got lost. This happens when the runtime software (Framegrabber SDK) is not reacting to events and the internal event queues ran full.
  - bits [3:15]: amount of lost **Lost Entity** events.

There are two types of events: events for corrupted entities and events for lost entities. Bit 0 of word 3 describes which kind of event occurred. If the event buffers are full, it might happen that events get lost. When an event gets lost that marks a corrupted entity, bit 1 of word 3 will be set. When an event gets lost that marks a lost entity, bit 2 of word 3 will be set and bit 3 to 15 will provide the number of lost events indicating a lost frame. If bit 2 is set but the counter is 0, it means that a counter overflow happened.

Every event causes a software interrupt. To reduce the number of events, several events with the same frame tag might be merged together. In that case some error flags are combined. If an event was lost, the event before the lost event contains the information about the lost event and cannot be merged with further events with the same frame tag.

The events caused due to CRC errors report a frame tag, which may not be exactly related to the frame in which the CRC errors happen. The frame tag can be that of the preceding or following frame. This can only happen, when a camera sends a CXP packet, which contains a transition between 2 or more frames. The CRC computation is finished at the end of the packet, but the stream data is reconstructed on-the-fly. This means that a situation can happen, in which a CRC error is detected only after the preceding frame was already sent by the operator. In normal situations, in which the camera packets don't contain data both of the end of the ongoing frame and the beginning of the next frame, the frame tag during CRC error will always be correct. For all other cases as long as the complete frame stream data is less than the maximal packet size of 8k, there might be only 1 frame overlap within 1 packet. In that case, the software application should consider the preceding frame with the frame tag - 1 and the following frame with the frame tag + 1 as potentially corrupted as well.



## Differentiating Error Events Between Taps

The error handling and event system are common to both CXP tap streams. Use the stream ID field to relate the received event to the appropriate tap. Normally, tap 0 will get a lower stream ID, typically 0. Tap 1 will get a stream ID, which is larger than the one of tap 0.

#### **4.1.2. FG\_START\_OF\_FRAME\_CAM\_PORT\_0**

This event is generated when the first pixel of one camera frame arrives at the applet. Keep in mind that a high framerate can cause high interrupt rates which might slow down the overall PC system. This event can only occur if the acquisition is running.

The applet generates frames from linescan cameras using the image trigger module. The event is generated with the first pixel of the generated frame which is simultaneously to the arrival of a camera line. Keep in mind that a high framerate can cause high interrupt rates which might slow down the overall PC system. This event can only occur if the acquisition is running.

#### **4.1.3. FG\_END\_OF\_FRAME\_CAM\_PORT\_0**

This event is generated right after the last pixel of one camera frame arrives at the applet. Keep in mind that a high framerate can cause high interrupt rates which might slow down the overall PC system. This event can only occur if the acquisition is running.

The applet generates frames from linescan cameras using the image trigger module. The event is generated when the last pixel passes through the image trigger module. Note that this might not be at the same time as the pixel arrives from the camera at the framegrabber as the image trigger module needs to delay the data to wait for closing gates. Keep in mind that a high framerate can cause high interrupt rates which might slow down the overall PC system. This event can only occur if the acquisition is running.

# Chapter 5. Sensor Geometry

Some operations, for example mirroring or tap sorting, require knowledge on the sensor dimension and orientation of the camera. The following parameters supply this kind of information.

## 5.1. FG\_VANTAGEPOINT

This parameter defines the vantage point. Use this parameter to mirror the image. Note that when using this parameter for mirroring, the received sensor image is mirrored and not the selected ROI in the frame grabber. Therefore, to mirror the ROI in the frame grabber, ensure to set the correct offsets in the frame grabber.

If a horizontal mirroring is active, the parameter `FG_SENSORWIDTH` limits the maximum width. The parameter dependency will then be `FG_XOFFSET + FG_WIDTH <= FG_SENSORWIDTH`.

If a vertical mirroring is active or `FG_TAPGEOMETRY` is set to `FG_GEOMETRY_1X_2YE`, the parameter `FG_SENSORHEIGHT` limits the maximum height. The parameter dependency will then be `FG_YOFFSET + FG_HEIGHT <= FG_SENSORHEIGHT`.

Table 5.1. Parameter properties of FG\_VANTAGEPOINT

Property	Value
Name	<code>FG_VANTAGEPOINT</code>
Display Name	<b>Vantage Point</b>
Type	<b>Enumeration</b>
Access policy	<b>Read/Write</b>
Storage policy	<b>Persistent</b>
Allowed values	<code>FG_VANTAGEPOINT_TOP_LEFT</code> Top Left <code>FG_VANTAGEPOINT_TOP_RIGHT</code> Top Right <code>FG_VANTAGEPOINT_BOTTOM_LEFT</code> Bottom Left <code>FG_VANTAGEPOINT_BOTTOM_RIGHT</code> Bottom Right
Default value	<code>FG_VANTAGEPOINT_TOP_LEFT</code>

Example 5.1. Usage of FG\_VANTAGEPOINT

```
int result = 0;
int value = FG_VANTAGEPOINT_TOP_LEFT;
const enum FgParamTypes type = FG_PARAM_TYPE_INT32_T;

if ((result = Fg_setParameterWithType(fg, FG_VANTAGEPOINT, &value, 0, type)) < 0) {
    /* error handling */
}

if ((result = Fg_getParameterWithType(fg, FG_VANTAGEPOINT, &value, 0, type)) < 0) {
    /* error handling */
}
```

## 5.2. FG\_SENSORWIDTH

To mirror the incoming data correctly, the parameter `FG_SENSORWIDTH` is required. The value of `FG_SENSORWIDTH` is ignored, if `FG_VANTAGEPOINT = Top-Left` or `Bottom-Left`. If also a vertical mirroring is used, the available DRAM and sensor height limit the maximum sensor width. This is so, because the sensor image needs to fit twice into the DRAM, because double buffering is used.



## If No Mirroring Is Active, the Value of *FG\_SENSORWIDTH* Is Not Used

If no mirroring is active, the value of the parameter *FG\_SENSORWIDTH* is not used. Instead, the sum of *FG\_XOFFSET* and *FG\_WIDTH* is used. This makes the use of the module easier as an extra configuration is avoided, if defaults are used.

Table 5.2. Parameter properties of *FG\_SENSORWIDTH*

Property	Value
Name	<b>FG_SENSORWIDTH</b>
Display Name	<b>Sensor Width</b>
Type	<b>Unsigned Integer</b>
Access policy	<b>Read/Write</b>
Storage policy	<b>Persistent</b>
Allowed values	<b>Minimum 64</b> <b>Maximum 32768</b> <b>Stepsize 32</b>
Default value	<b>1024</b>
Unit of measure	<b>pixel</b>

Example 5.2. Usage of *FG\_SENSORWIDTH*

```
int result = 0;
unsigned int value = 1024;
const enum FgParamTypes type = FG_PARAM_TYPE_UINT32_T;

if ((result = Fg_setParameterWithType(fg, FG_SENSORWIDTH, &value, 0, type)) < 0) {
    /* error handling */
}

if ((result = Fg_getParameterWithType(fg, FG_SENSORWIDTH, &value, 0, type)) < 0) {
    /* error handling */
}
```

## 5.3. *FG\_SENSORHEIGHT*

For vertical mirroring or tap geometry sorting in vertical direction, the applet needs to be parameterized with the exact height transferred from the camera to the frame grabber. If you have set a region of interest in the camera, the parameter *FG\_SENSORHEIGHT* needs to be set to the ROI size, otherwise use the sensor height. If *FG\_TAPGEOMETRY* is set to *FG\_GEOMETRY\_1X\_2YE*, the parameter *FG\_SENSORHEIGHT* needs to be set to the ROI size and must be an even integer. The parameter dependency will then be: *FG\_YOFFSET* + *FG\_HEIGHT* <= *FG\_SENSORHEIGHT*.



## If Only One Y-Zone Is Used and No Vertical Mirroring Is Active, the Value of *FG\_SENSORHEIGHT* Is Not Used

If no vertical mirroring is configured and if *FG\_TAPGEOMETRY* is set to *FG\_GEOMETRY\_1X\_1Y*, the value of the parameter *FG\_SENSORHEIGHT* is not used. Instead, the sum of *FG\_YOFFSET* and *FG\_HEIGHT* is used. This makes the use of the module easier as an extra configuration is avoided, if defaults are used.

Table 5.3. Parameter properties of FG\_SENSORHEIGHT

Property	Value
Name	<b>FG_SENSORHEIGHT</b>
Display Name	<b>Sensor Height</b>
Type	<b>Unsigned Integer</b>
Access policy	<b>Read/Write</b>
Storage policy	<b>Persistent</b>
Allowed values	<b>Minimum 2</b> <b>Maximum 65536</b> <b>Stepsize 1</b>
Default value	<b>1024</b>
Unit of measure	<b>pixel</b>

Example 5.3. Usage of FG\_SENSORHEIGHT

```

int result = 0;
unsigned int value = 1024;
const enum FgParamTypes type = FG_PARAM_TYPE_UINT32_T;

if ((result = Fg_setParameterWithType(fg, FG_SENSORHEIGHT, &value, 0, type)) < 0) {
    /* error handling */
}

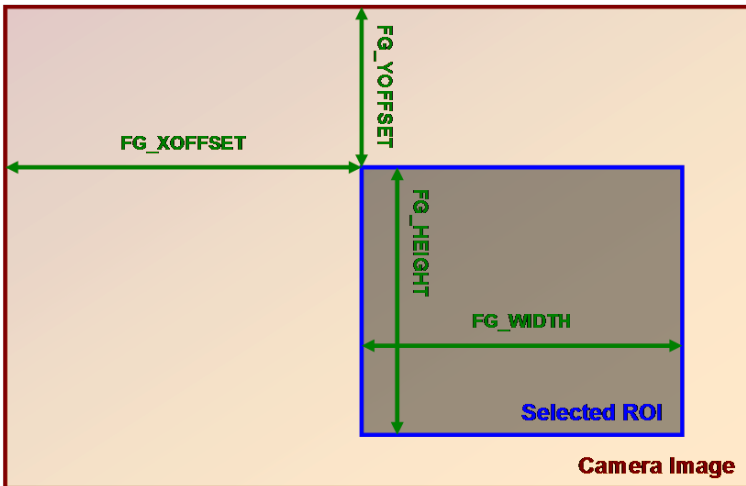
if ((result = Fg_getParameterWithType(fg, FG_SENSORHEIGHT, &value, 0, type)) < 0) {
    /* error handling */
}

```

# Chapter 6. ROI

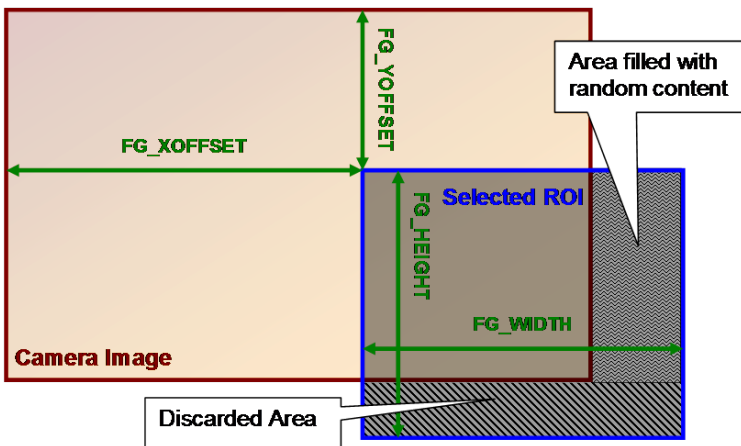
This module allows the definition of a region of interest (ROI), also called area of interest (AOI). A ROI allows the selection of a smaller subset pixel area from the input image. It is defined by using parameters *FG\_XOFFSET*, *FG\_WIDTH*, *FG\_YOFFSET* and *FG\_HEIGHT*. The following figure illustrates the parameters.

Figure 6.1. Region of Interest



As can be seen, the region of interest lies within the input image dimensions. Thus, if the image dimension provided by the camera is greater or equal to the specified ROI parameters, the applet will fully cut-out the ROI subset pixel area. However, if the image provided by the camera is smaller than the specified ROI, lines will be filled with random pixel content and the image height might be cut or filled with random image lines as illustrated in the following.

Figure 6.2. Region of Interest Selection Outside the Input Image Dimensions



Furthermore, mind that the image sent by the camera must not exceed the maximum allowed image dimensions. This applet allows a maximum image width of 32768 pixels and a maximum image height of 65536 lines. The chosen ROI settings can have a direct influence on the maximum bandwidth of the applet as they define the image size and thus, define the amount of data.

The parameters have dynamic value ranges. For example an x-offset cannot be set if the sum of the offset and the image width will exceed the maximum image width. To set a high x-offset, the image width has to be reduced, first. Hence, the order of setting the parameters for this module is important. The return values of the function calls in the SDK should always be evaluated to check if changes were accepted.

Mind the minimum step size of the parameters. This applet has a minimum step size of 32 pixel for the width and the x-offset, while the step size for the height and the y-offset is 1.

The settings made in this module will define the display size and buffer size if the applet is used in microDisplay. If you use the applet in your own programs, ensure to define a sufficient buffer size for the DMA transfers in your PC memory.

All ROI parameters can only be changed if the acquisition is not started i.e. stopped.



## Camera ROI

Most cameras allow the setting of a ROI inside the camera. The ROI settings described in this section are independent from the camera settings.



## Influence on Bandwidth

A ROI might cause a strong reduction of the required bandwidth. If possible, the camera frame dimension should be reduced directly in the camera to the desired size instead of reducing the size in the applet. This will reduce the required bandwidth between the camera and the frame grabber.

## 6.1. FG\_WIDTH

The parameter specifies the width of the ROI. The values of parameters *FG\_WIDTH* + *FG\_XOFFSET* must not exceed the maximum image width of 32768 pixels. If a horizontal mirroring is active the sensor width limits the maximum width (Width + XOffset). If furthermore vertical mirroring is active the maximum width is limited by the DRAM and sensor height (the sensor dimension needs to fit into the DRAM).

Table 6.1. Parameter properties of FG\_WIDTH

Property	Value
Name	<b>FG_WIDTH</b>
Display Name	<b>Width</b>
Type	<b>Unsigned Integer</b>
Access policy	<b>Read/Write</b>
Storage policy	<b>Persistent</b>
Allowed values	<b>Minimum 64</b> <b>Maximum 32768</b> <b>Stepsize 32</b>
Default value	<b>1024</b>
Unit of measure	<b>pixel</b>

Example 6.1. Usage of FG\_WIDTH

```
int result = 0;
unsigned int value = 1024;
const enum FgParamTypes type = FG_PARAM_TYPE_UINT32_T;

if ((result = Fg_setParameterWithType(fg, FG_WIDTH, &value, 0, type)) < 0) {
    /* error handling */
}

if ((result = Fg_getParameterWithType(fg, FG_WIDTH, &value, 0, type)) < 0) {
    /* error handling */
}
```

## 6.2. FG\_HEIGHT

The parameter specifies the height of the ROI. The values of parameters *FG\_HEIGHT* + *FG\_YOFFSET* must not exceed the maximum image height of 65536 pixels. If a vertical mirroring is active the sensor height limits



the maximum height (Height + YOffset). Furthermore the maximum height is limited by the DRAM and the sensor width (the sensor dimension needs to fit into the DRAM).

Table 6.2. Parameter properties of FG\_HEIGHT

Property	Value
Name	<b>FG_HEIGHT</b>
Display Name	<b>Height</b>
Type	<b>Unsigned Integer</b>
Access policy	<b>Read/Write</b>
Storage policy	<b>Persistent</b>
Allowed values	<b>Minimum 2</b> <b>Maximum 65536</b> <b>Stepsize 1</b>
Default value	<b>1024</b>
Unit of measure	<b>pixel</b>

Example 6.2. Usage of FG\_HEIGHT

```
int result = 0;
unsigned int value = 1024;
const enum FgParamTypes type = FG_PARAM_TYPE_UINT32_T;

if ((result = Fg_setParameterWithType(fg, FG_HEIGHT, &value, 0, type)) < 0) {
    /* error handling */
}

if ((result = Fg_getParameterWithType(fg, FG_HEIGHT, &value, 0, type)) < 0) {
    /* error handling */
}
```

## 6.3. FG\_XOFFSET

The x-offset is defined by this parameter. If a horizontal mirroring is active the sensor width limits the maximum width (Width + XOffset). If furthermore vertical mirroring is active the maximum width is limited by the DRAM and the sensor height (the sensor dimension needs to fit into the DRAM).

Table 6.3. Parameter properties of FG\_XOFFSET

Property	Value
Name	<b>FG_XOFFSET</b>
Display Name	<b>Offset X</b>
Type	<b>Unsigned Integer</b>
Access policy	<b>Read/Write</b>
Storage policy	<b>Persistent</b>
Allowed values	<b>Minimum 0</b> <b>Maximum 32704</b> <b>Stepsize 32</b>
Default value	<b>0</b>
Unit of measure	<b>pixel</b>

Example 6.3. Usage of FG\_XOFFSET

```
int result = 0;
unsigned int value = 0;
const enum FgParamTypes type = FG_PARAM_TYPE_UINT32_T;
```

---

```

if ((result = Fg_setParameterWithType(fg, FG_XOFFSET, &value, 0, type)) < 0) {
    /* error handling */
}

if ((result = Fg_getParameterWithType(fg, FG_XOFFSET, &value, 0, type)) < 0) {
    /* error handling */
}

```

---

## 6.4. FG\_YOFFSET

The y-offset is defined by this parameter. If a vertical mirroring is active the sensor height limits the maximum height (Height + YOffset). Furthermore the maximum height is limited by the DRAM and the sensor width (the sensor dimension needs to fit into the DRAM).

Table 6.4. Parameter properties of FG\_YOFFSET

Property	Value
Name	<b>FG_YOFFSET</b>
Display Name	<b>Offset Y</b>
Type	<b>Unsigned Integer</b>
Access policy	<b>Read/Write</b>
Storage policy	<b>Persistent</b>
Allowed values	<b>Minimum 0</b> <b>Maximum 65535</b> <b>Stepsize 1</b>
Default value	<b>0</b>
Unit of measure	<b>pixel</b>

Example 6.4. Usage of FG\_YOFFSET

---

```

int result = 0;
unsigned int value = 0;
const enum FgParamTypes type = FG_PARAM_TYPE_UINT32_T;

if ((result = Fg_setParameterWithType(fg, FG_YOFFSET, &value, 0, type)) < 0) {
    /* error handling */
}

if ((result = Fg_getParameterWithType(fg, FG_YOFFSET, &value, 0, type)) < 0) {
    /* error handling */
}

```

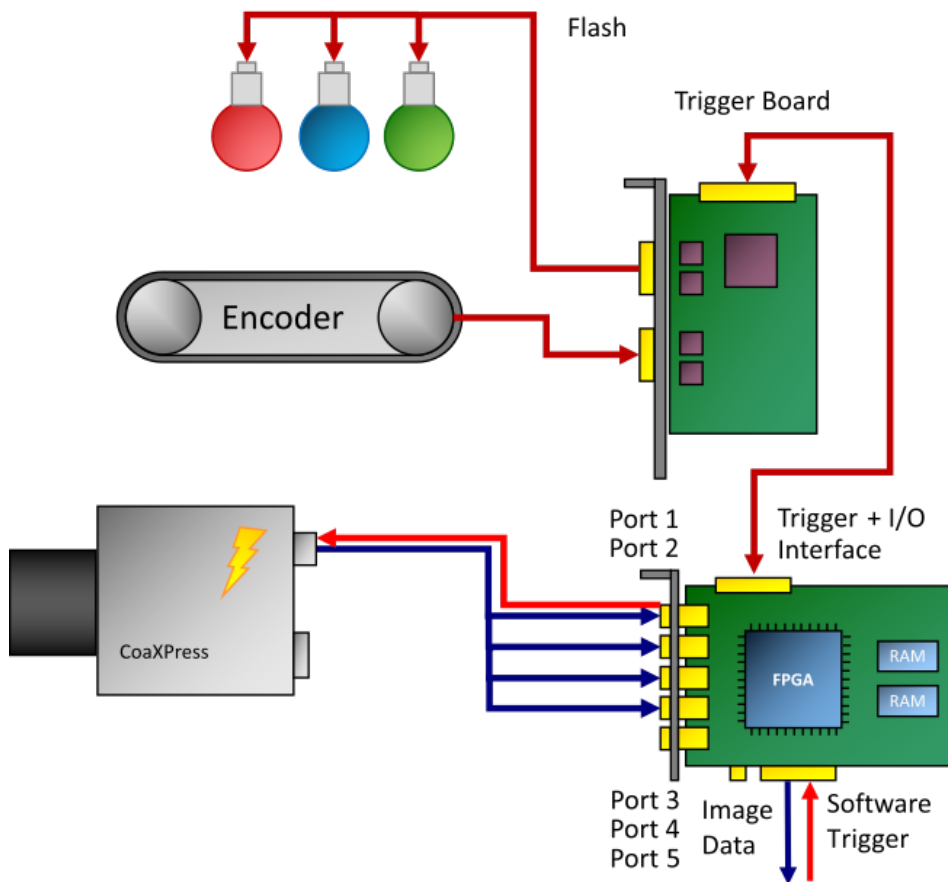
---

# Chapter 7. Trigger

The area trigger system enables the control of the image acquisition process of the frame grabber and the connected camera. In detail it controls the exact exposure time of the camera and controls external devices. The trigger source can be external devices, internal frequency generators or the user's software application.

The imaFlex CXP-12 Penta frame grabber has eight input IOs available on its extension port plus four inputs on the front IO connector. The extension port can be connected to external devices. Check the hardware documentation for more information. The imaFlex CXP-12 Penta generates the desired trigger outputs and control signals from the input events according to the trigger system's parameterization. The trigger system outputs can be routed to the camera via the CoaXPress link. Additionally, outputs can be routed to the digital outputs for control of external devices such as flash lights, for synchronizing or for debugging.

Figure 7.1. imaFlex CXP-12 Penta Trigger System



The following is an introduction into the Basler imaFlex CXP-12 Penta trigger system. Several trigger scenarios show the possibilities and functionalities and help to understand the trigger system. The documentation includes the parameter reference where all parameters of the trigger system are listed and their functionality is explained in detail.

## 7.1. Features and Functional Blocks of Area Trigger

The Basler trigger system was designed to fulfill the requirements of various applications. Powerful features for trigger generation, controlling and monitoring were included in the implementation. This includes:

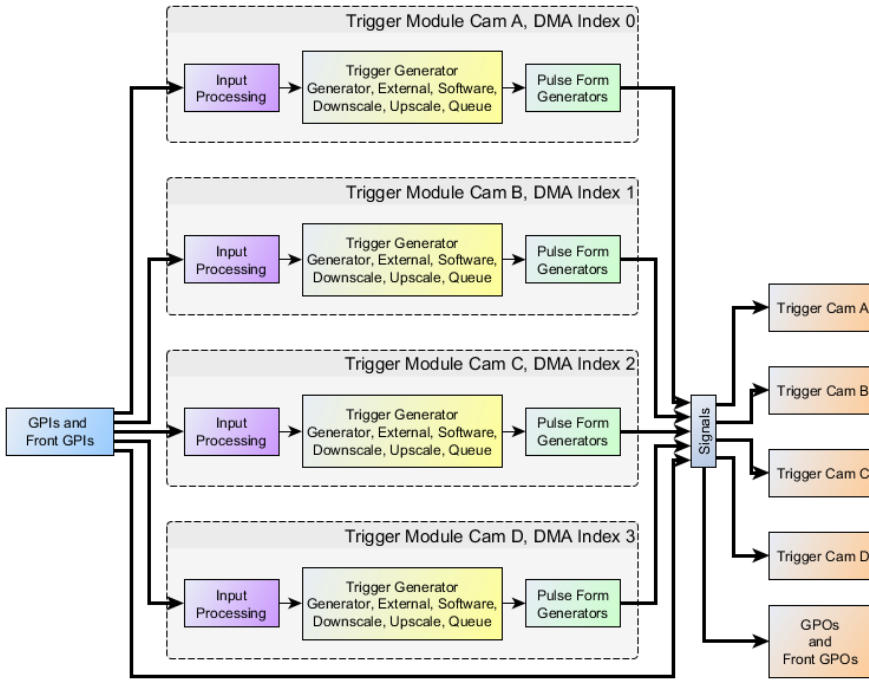
- Trigger signal generation for cameras and external devices.
- **External devices** such as encoders and light barriers can be used to source the trigger system and control the trigger signal generation.

- In alternative an internal **frequency generator** can be used to generate trigger pulses.
- The trigger signal generation can be fully controlled by **software** . Single pulses or sequences of pulses can be generated. The trigger system will automatically control and limit the output frequency.
- Input **signal monitoring** .
- Input signal **frequency analysis** and **pulse counting** .
- Input signal **debouncing**
- Input signal **downscaling**
- **Pulse multiplication** using a sequencer and controllable maximum output frequency. Make up to 65,000 output pulses out of a single input pulse.
- **Trigger pulse queue** for buffering up to 2000 pulses and control the output using a maximum frequency valve.
- Four **pulse form generators** for individual controlling of pulse widths, delays and output downscaling.
- **Up to 10 outputs depending on the frame grabber type** plus the CoaXPress trigger outputs.
- A **bypass** option to keep the pulse forms of the input signals and forward them to outputs and cameras.
- **Event generation** for input and output monitoring by application software.
- Trigger state events for fill level monitoring, trigger busy states and lost trigger signals give full control of the system.
- Camera **frame loss notification** .
- Full **trigger signal reliability** and easy error detections.

The trigger system is controlled and configured using parameters. Several read only parameters return status information on the current trigger state. Moreover, the trigger system is capable of generating events for efficient monitoring and controlling of the trigger system, the software, the frame grabber and external hardware.

The complex trigger system can be easily used and parameterized. The following block diagram figure shows an overview of the trigger system. As can be seen, the trigger system consists of four different main functional blocks.

Figure 7.2. Trigger System

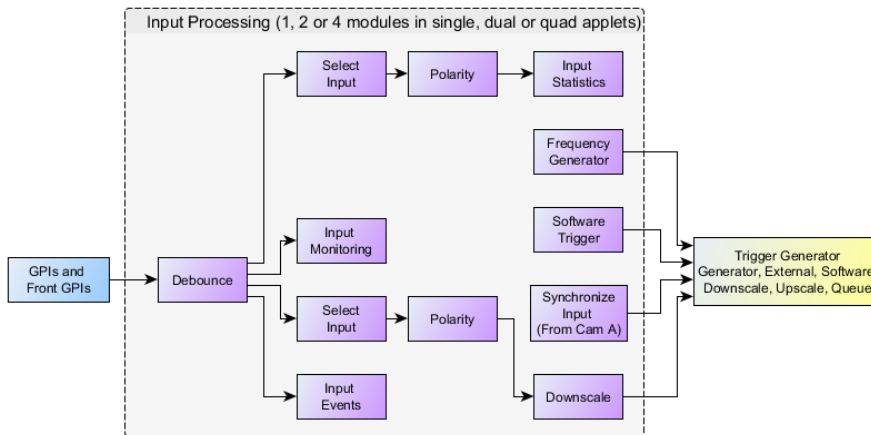


1. Trigger Input:

Trigger inputs can be external signals, as well as software generated inputs and the frequency generator. An input monitoring and input statistics module allows analysis if the input signals.

External input signals are debounced and split into several paths for monitoring, and further processing.

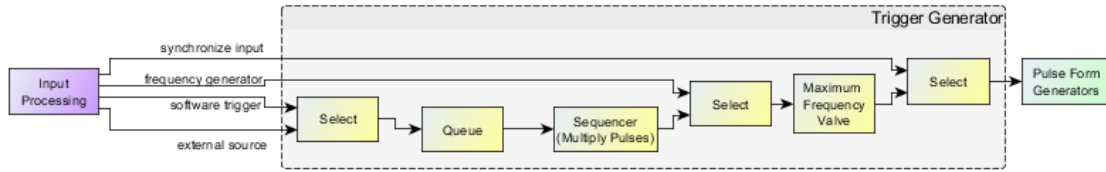
Figure 7.3. Trigger Input Block Diagram



2. Input Pulse Processing:

The second main block of the trigger system is the Input Pulse Processing. External inputs as well as software trigger generated pulses can be queued and multiplied in a sequencer if desired. All external trigger pulses are processed in a maximum frequency valve. Pulses are only processed by this valve if their frequency is higher than the previously parameterized limit. If a higher frequency is present at the input, pulses will be rejected or the trigger pulse queue is filled if activated. The maximum frequency valve ensures that the output-pulses will not exceed the maximum possible frequency which can be processed by the camera.

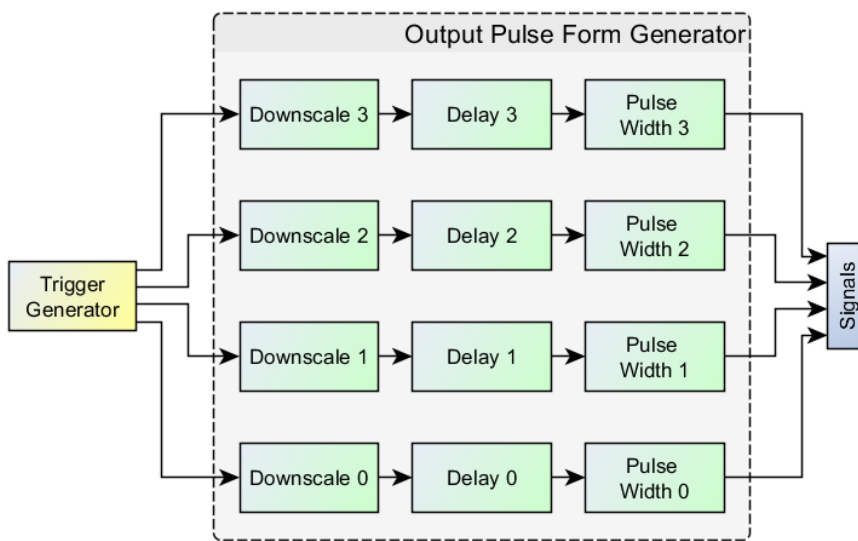
Figure 7.4. Trigger Pulse Processing Block Diagram



3. Output Pulse Form Generators:

After the input pulses have been processed, they are feed into four optional pulse form generators. These pulse form generators define the signal width, a delay and a possible downscale. The four pulse form generators can arbitrarily allocated to the outputs which makes the trigger system capable for numerous applications such as multiple flash light control, varying camera exposure times etc.

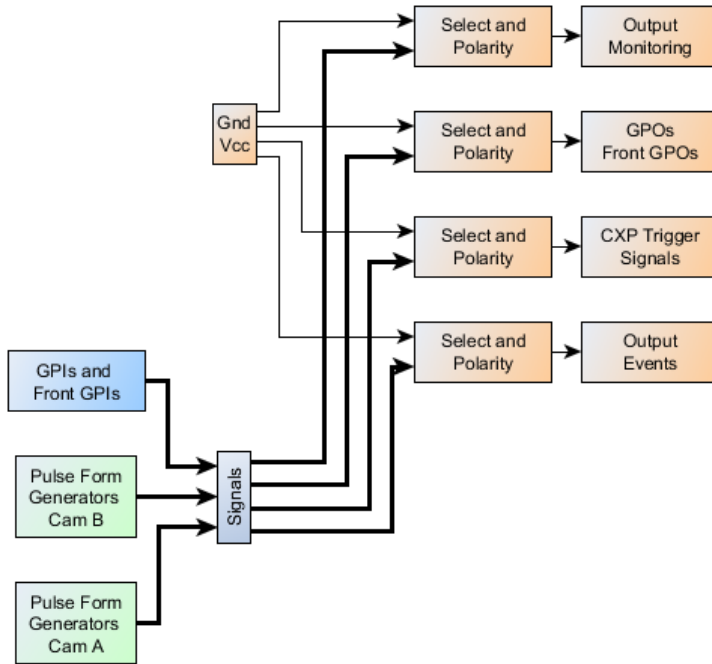
Figure 7.5. Trigger Pulse Processing Block Diagram



4. Trigger Output:

The last block is related to the trigger outputs. The pulse form generator signals can be output at the digital outputs and directly to the camera. Moreover, they can be monitored using registers and events.

Figure 7.6. Trigger Output Block Diagram



## 7.2. Digital Input/Output Mapping

The frame grabber imaFlex CXP-12 Penta for this applet supports eight digital inputs and eight digital outputs. These inputs and outputs are present on the 34pin flat cable connector of the frame grabber which can be connected to one of the trigger IO add on boards.

The eight inputs have the indices 0 to 7. In the documentation of the trigger IO boards and imaFlex CXP-12 Penta frame grabber the allocation of these inputs to pins is described.

The eight outputs also have indices from 0 to 7. Again for the mapping of pins check the documentation of the IO board and frame grabber hardware. The available outputs can arbitrarily allocated to a trigger module or directly to a GPI. See Section 7.5.12, 'Digital Output' for explanation.

## 7.3. Event Overview

In programming or runtime environments, a callback function is a piece of executable code that is passed as an argument, which is expected to call back (execute) exactly that time an event is triggered.

For a general explanation on events see Event.

In the following, a list of all events of the trigger system is presented. Detailed explanations can be found in the respective module descriptions.

- *FG\_TRIGGER\_INPUT0\_RISING*, *FG\_TRIGGER\_INPUT0\_FALLING* to *FG\_TRIGGER\_INPUT7\_RISING*, *FG\_TRIGGER\_INPUT7\_FALLING* and *FG\_TRIGGER\_FRONT\_GPI0\_RISING*, *FG\_TRIGGER\_FRONT\_GPI0\_FALLING* to *FG\_TRIGGER\_FRONT\_GPI3\_RISING*, *FG\_TRIGGER\_FRONT\_GPI3\_FALLING*

Trigger input events. Events can be generated for all digital trigger inputs. The events are triggered by either rising or falling signal edges.

- *FG\_TRIGGER\_FRONT\_GPI0\_RISING*, *FG\_TRIGGER\_FRONT\_GPI0\_FALLING* to *FG\_TRIGGER\_FRONT\_GPI3\_RISING*, *FG\_TRIGGER\_FRONT\_GPI3\_FALLING*

Trigger input events on the Front GPIs. Events can be generated for all digital trigger inputs. The events are triggered by either rising or falling signal edges.

- *FG\_TRIGGER\_EXCEEDED\_PERIOD\_LIMITS\_CAM0*

The event is generated for each lost input trigger pulse.

- *FG\_TRIGGER\_QUEUE\_FILLLEVEL\_THRESHOLD\_CAM0\_ON* and  
*FG\_TRIGGER\_QUEUE\_FILLLEVEL\_THRESHOLD\_CAM0\_OFF*

This event is generated when the trigger queue exceeds the upper ON-threshold or falls below the OFF-threshold.

- *FG\_TRIGGER\_OUTPUT\_CAM0*

Events for trigger output.

- *FG\_MISSING\_CAM0\_FRAME\_RESPONSE*

The event is generated for a missing camera frame response.

## 7.4. Trigger Scenarios

In the following, trigger sample scenarios are presented. These scenarios will help you to use the trigger system and facilitate easy adaptation to own requirements.

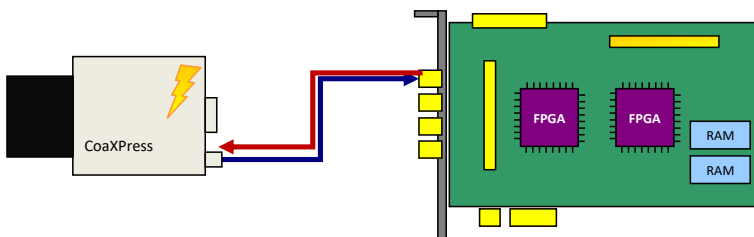
The scenarios show real life configurations. They explain the requirements, illustrate the inputs and outputs and list the required parameters and their values.

### 7.4.1. Internal Frequency Generator / frame grabber Controlled

Let's start the trigger system examples with a simple scenario. In this case we simply want to control the frequency of the camera's image output and the exposure time with the frame grabber. Assume that there is no additional external source for trigger events and we do not need to control any flash lights. Thus the frame grabber's trigger system has to control the frequency of the trigger pulses and the exposure time.

Figure 7.7 shows the hardware setup. Only the camera connected to the frame grabber is required.

Figure 7.7. Generator Controlled Trigger Scenario



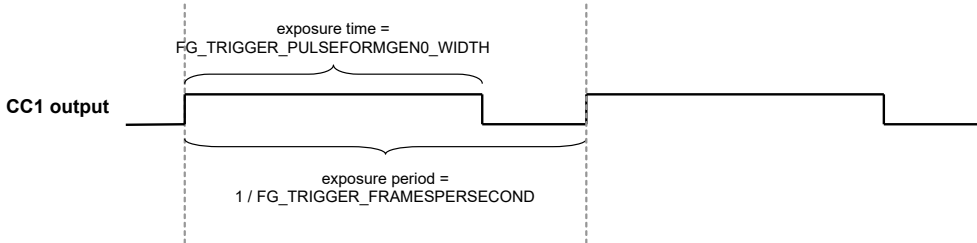
To put this scenario into practice, you will need to set your camera into an external trigger mode. Consult the vendor's user manual for more information. CXP cameras are configured using GenICam. Use the Basler GenICam explorer to set the camera into external trigger mode.

After the camera is set to an external trigger mode, the exposure period and the exposure time can be controlled by one of the camera control inputs. Use the CXP cable as trigger source. The names of the camera trigger modes vary. You will need to use an external trigger mode, where the exposure period is programmable. If you also want to define the exposure time using the frame grabber, the respective trigger mode needs to support this, too.



In the following, a waveform is shown which illustrates the frame grabber trigger output. Most cameras will start the acquisition on the rising or falling edge of the signal. The exposure time is defined by the length of the signal. Note that some cameras use inverted inputs. In this case, the signal has to be 'low active' instead of being 'high active'. Thus the frame grabber output has to be inverted which is explained later on.

Figure 7.8. Waveform of Generator Controlled Trigger Scenario



After hardware setup and camera configuration we can start parameterizing the frame grabber's trigger system. Parameters can be changed in your own application, in microDisplay or by editing a microEnable Configuration File (mcf). For more information on how to parameterize applets, consult the Basler Framegrabber SDK documentation.

In the following, all required parameters and their values are listed.

- ***FG\_AREATRIGGERMODE* = ATM\_GENERATOR**

First, we will need to configure the trigger system to use the internal frequency generator.

- ***FG\_TRIGGER\_FRAMESPERSECOND* = 10**

Next, the output frequency is defined. In this example, we use a frequency of 10Hz.

- ***FG\_TRIGGER\_PULSEFORMGEN0\_WIDTH* = 200**

So far, we have set the trigger system to generate trigger pulses at a rate of 10Hz. However, we have not set the pulse form of these pulses i.e. the signal length or signal width. The frame grabber's trigger system includes four pulse form generators which allow to set the signal width, a delay and a downscaling. In our example, we only have one output and therefore, we will need only one pulse form generator, respectively pulse form generator 0. Moreover, only the signal length has to be defined, a delay and a downscaling is not required.

Suppose, that we require an exposure time of 200 $\mu$ s. Thus, we will set the parameter to value 200 since the unit is  $\mu$ s.

- ***FG\_TRIGGERCAMERA\_SOURCE\_CXP0* = PULSEGEN0\_RISING** and  
***FG\_TRIGGERCAMERA\_SOURCE\_CXP1* = PULSEGEN0\_FALLING**

The only thing left to do is to allocate the output of pulse form generator 0 to the camera trigger output.

Now, the trigger is fully configured. However the trigger signal generation is not started yet. Set parameter ***FG\_TRIGGERSTATE*** to **TS\_ACTIVE** to start the system. Of course, you will also need to start your image acquisition. It is up to you if you like to start the trigger generation prior or after the acquisition has been started. If the trigger system is started first, the camera will already send images to the frame grabber. These images are discarded as no acquisition is started.

You will now receive images from your camera. Change the frequency and the signal width to see the influence of these parameters. A higher frequency will give you a higher frame rate. A shorter exposure time will make the images 'darker'. You will realize, that it is not possible to set an exposure time which is longer than the exposure period. In this case, writing to the parameter will result in an error. Therefore, the order of changing parameter values might be of importance. Also be careful to not select a frequency or exposure time which

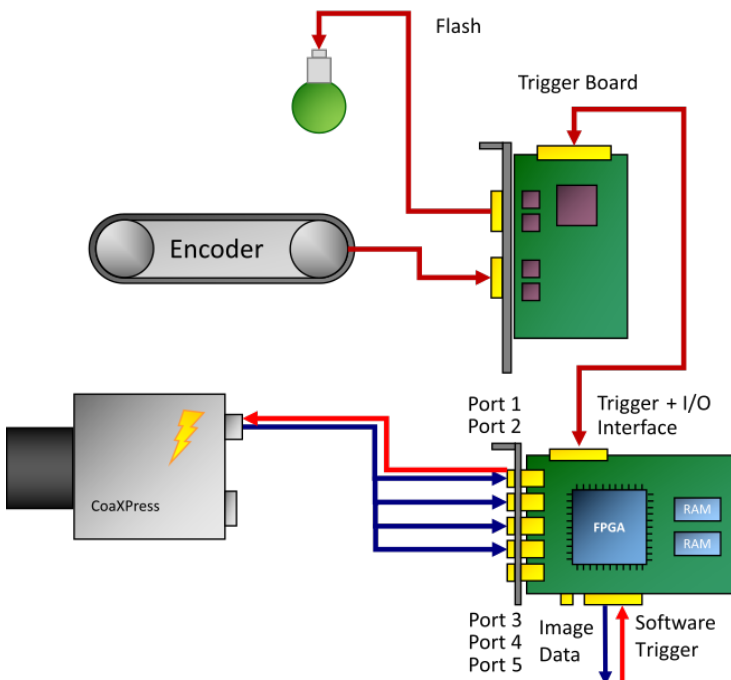
exceeds the camera's specifications. In this cases you will loose trigger pulses, as the camera cannot progress them. Get the maximum ranges from the camera's specification sheets.

To stop the trigger pulse generation, set parameter *FG\_TRIGGERSTATE* to **TS\_SYNC\_STOP**. The trigger system will then finalize the current pulse and stop any further output until the system is activated again. The asynchronous stop mode is not required in this scenario.

## 7.4.2. External Trigger Signals / IO Triggered

In the previous example we used an internal frequency generator to control the camera's exposure. In this scenario, an external source will define the exact moment of exposure. This can be, for example, a light barrier as illustrated in the following figure. Objects move in front of the camera, a light barrier will define the moment, when an object is located directly under the camera. In practice, it might not be possible to locate the light barrier and the camera at the exact position. Therefore, a delay is required which delays the pulses from the light barrier before using them to trigger the camera. Moreover, in our scenario, we assume that a flash light has to be controlled by the trigger system, too.

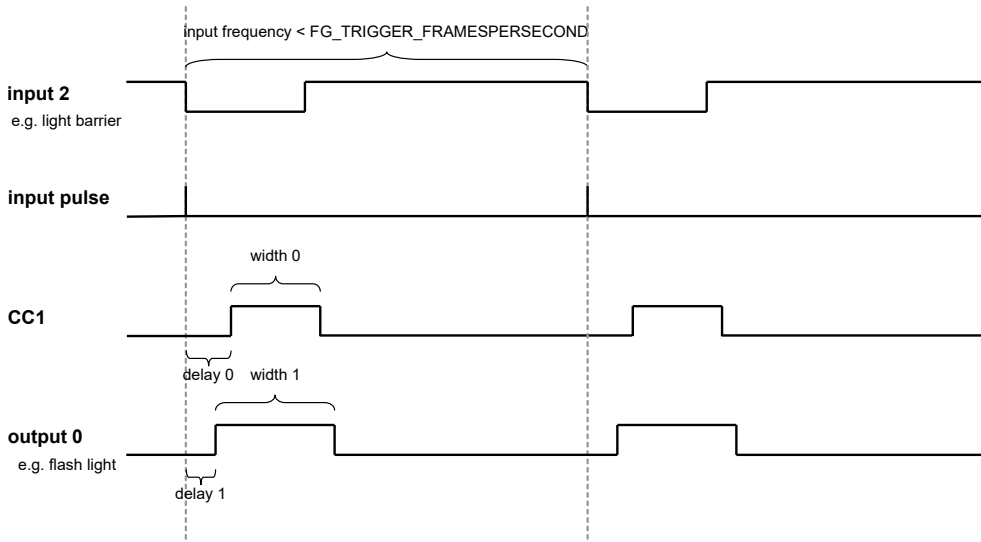
Figure 7.9. External Controlled Trigger Scenario



An exemplary waveform (Figure 7.10) provides information on the input signal and shows the desired output signals. The input is shown on top. As you can see, the falling edge of the signal defines the moment which is used for trigger generation. Thus, the signal is 'low active'. Mind that the pulse length of any external input is ignored (second row), only falling edges are considered.

The output to the camera is shown in the third row. Here we can see an inserted delay. This delay will compensate the positions of the light barrier and the camera. The signal width at the trigger camera output defines the exposure time, if the camera is configured to the respective trigger mode. Control of the flash light is done using trigger output 0. Again, a delay is added. Depending on the requirements of the flash light, this delay has to be shorter or longer than the trigger camera output delay. Similarly, the required pulse length varies for different hardware.

Figure 7.10. Waveform of External Trigger Scenario



Before parameterizing the applet, ensure that your camera has been set to an external trigger mode. Check the previous trigger scenario for more explanations.

In this example, we have to parameterize the trigger mode, the input source and we have to configure two trigger outputs.

- **`FG_AREATRIGGERMODE = ATM_EXTERNAL`**

In external trigger mode, the trigger system will not use the internal frequency generator. External pulses control the output of trigger signals. This requires the selection of an input source and the configuration of the input polarity.

- **`FG_TRIGGERIN_SRC = TRGINSRC_GPI_2`**

Select the trigger input by use of this parameter. You can choose any of the inputs. If you use a multi-camera applet, cameras can share same sources.

- **`FG_TRIGGERIN_POLARITY = LOW_ACTIVE`**

For the given scenario, we assume that a trigger is required on a falling edge of the input signal.

- **`FG_TRIGGER_FRAMESPERSECOND = 500`**

Do not forget to set this parameter. For any use of the trigger system, the correct parameterization of this parameter is required. If you do not use the internal frequency generator, this parameter defines the maximum allowed trigger pulse frequency. In other words, you can set a limit with this parameter. The limiting frequency could be the maximum exposure frequency of the camera.

**The advantage of setting this limit is the information on lost trigger signals.** Let's suppose the frequency of the external trigger signals will get to high for the camera or the applet. In this case, you will loose images or obtain corrupted images. If you have set a correct frequency limit in the trigger system, the trigger system will provide you with information of these exceeding line periods. This information can be obtained by register polling or you can use the event system. Thus you always have the possibility to prevent your application of getting into a bad, probably undefined state and you will always get the information of when and how many pulses got lost. Check the explanations of parameters `FG_TRIGGER_FRAMESPERSECOND` and `FG_TRIGGER_EXCEEDED_PERIOD_LIMITS` as well as the event `FG_TRIGGER_EXCEEDED_PERIOD_LIMITS_CAM0` for more information.

More information on error detection and analysis can be found in scenario Section 7.4.9, 'Hardware System Analysis and Error Detection / Trigger Debugging'

The trigger system also allows the queuing of trigger pulses if you have a short period of excess pulses. We will have a look at this in a later scenario.

In our example, we set the maximum frequency to 500 frames per second. If you do not want to use this feature, set `FG_TRIGGER_FRAMESPERSECOND` to a high value, such as 1MHz.

- `FG_TRIGGER_PULSEFORMGEN0_WIDTH = 200`

So far, we have set the trigger system to accept external signals and generate the trigger pulses out of these signals. Next, we need to output these pulses. For realization, we need to define the pulse form of the output signals. Just as shown in the previous scenario, we use pulse form generator 0 for generating the pulse form of the trigger signals. We set a pulse width of 200µs.

- `FG_TRIGGER_PULSEFORMGEN0_DELAY = 50`

In addition to the signal width, a delay will give us the possibility to delay the output as the light barrier might not be positioned at the exact location. For this fictitious scenario we use a delay of 50µs.

- `FG_TRIGGER_PULSEFORMGEN1_WIDTH = 250`

In addition to the trigger output we want to control a flash light. We use pulse form generator 1 for this purpose and set the signal width to 250µs.

- `FG_TRIGGER_PULSEFORMGEN1_DELAY = 25`

A delay for the flash output is set, too.

- `FG_TRIGGERCAMERA_SOURCE_CXP0 = PULSEGEN0_RISING` and  
`FG_TRIGGERCAMERA_SOURCE_CXP1 = PULSEGEN0_FALLING`

Finally, we have to allocate the camera trigger output with the pulse form generator 0.

- `FG_TRIGGEROUT_SELECT_FRONT_GPO_0 = PULSEGEN1`

The flash light, connected to output 0 has to be allocated to pulse form generator 1.

- `FG_TRIGGEROUT_SELECT_FRONT_GPO_1 = PULSEGEN0`

Let's assume that it is necessary to measure the camera trigger output using a logic analyzer. Hence, we allocate output 1 to pulse form generator 0 as well.

The trigger is now fully configured. Just as described in the previous scenario, you can now start the acquisition and activate the trigger system using parameter `FG_TRIGGERSTATE`.

You will now receive images from the camera for each external trigger pulse. Compare the number of external pulses with the generated trigger signals and the received images for verification. Use parameter `FG_TRIGGERIN_STATS_PULSECOUNT` of category Trigger Input -> Input Statistics and parameter `FG_TRIGGEROUT_STATS_PULSECOUNT` of the output statistics parameters to get the number of input pulses and generated pulses. You can compare these values with the received image numbers.

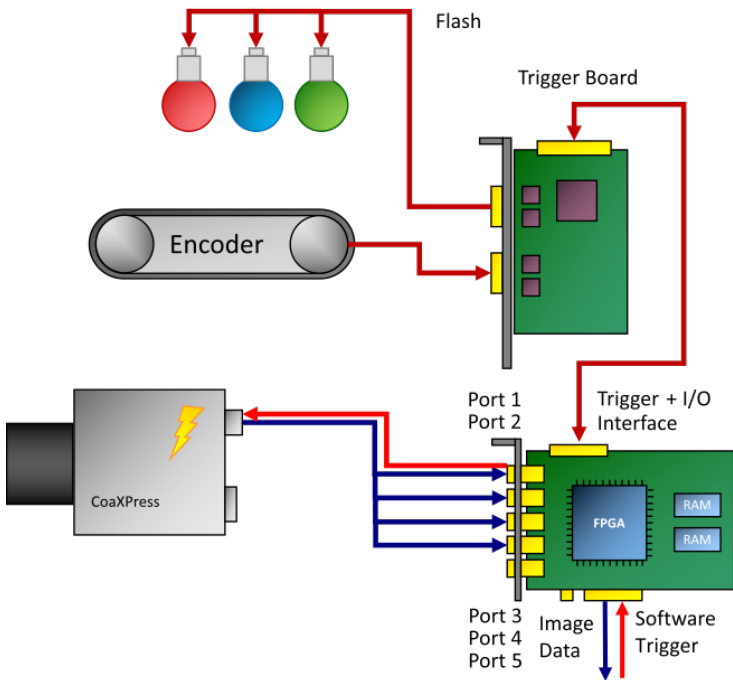
### 7.4.3. Control of Three Flash Lights

This scenario is similar to the previous one. We use an external trigger to control the camera and a flash light. But in difference, we want to get three images from one external trigger pulse. Each image out of the sequence of three images has to use a different light source. Thus, in this scenario we will learn on how to use a trigger pulse multiplication and on how to control three lights connected to the frame grabber.

The application idea behind this scenario is that an object is acquired using different light sources. This could result in a HDR image or switching between normal and infrared illumination. The following figure illustrates the hardware setup. As you can see, we have three light sources this time. The objects move in front of the camera.

The light barrier will provide the information on when to trigger the camera. Let's suppose that the objects stop in front of the camera or the movement is slow enough to generate three images with the different illuminations.

Figure 7.11. External Controlled Trigger Scenario



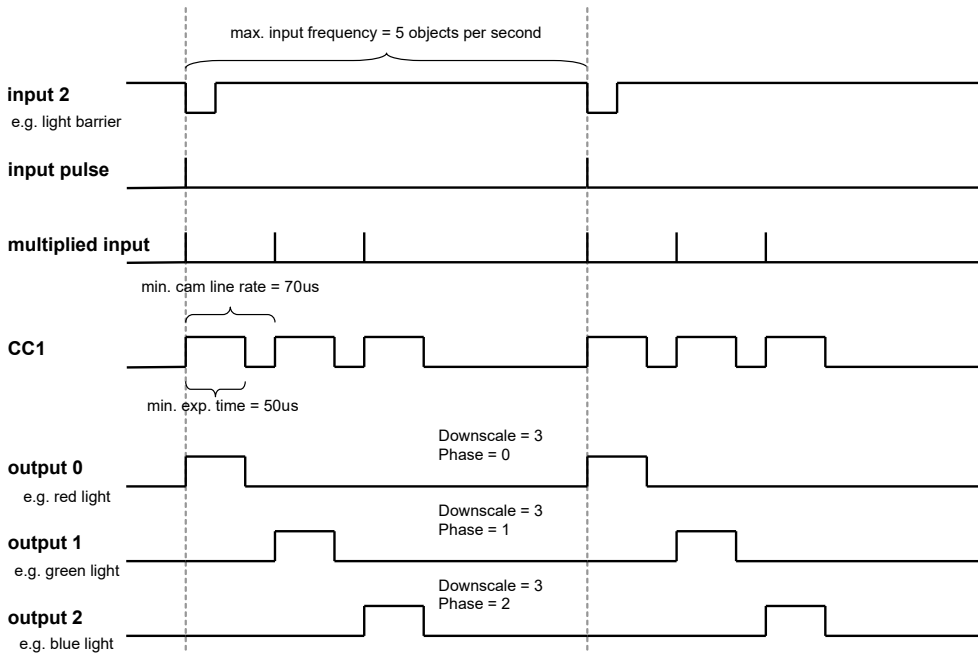
Before looking at the waveform, let's have a look at our fictitious hardware specifications.

Table 7.1. Fictitious Hardware Specifications of Trigger Scenario Three Light Sources

Element	Limit
Object Speed	Max. 100 Objects per Second
Minimum Camera Exposure Time	50 $\mu$ s
Minimum Camera Frame Period	70 $\mu$ s

The object speed is 100 objects per second. The minimum camera exposure time is 50 $\mu$ s at a minimum camera frame period of 70 $\mu$ s. Thus we only need 210 $\mu$ s to acquire the three images. The following waveform shows the input and output signals, as well as the multiplied input signals. The first row shows the input. Each falling edge represents the light barrier event as marked in the second row. The third row shows the multiplied input pulses with a gap of 70 $\mu$ s between the pulses. The trigger signal is generated for each of these pulses, however the trigger flash outputs 0, 1 and 2 are downscaled by three and a delay is added.

Figure 7.12. Waveform of External Trigger Scenario Controlling Three Flash Lights



Parameterization is similar to the previous example. In contrast, this time, we have to set the trigger pulse sequencer using a multiplication factor and we have to use the pulse form generators.

- `FG_AREATRIGGERMODE = ATM_EXTERNAL`
- `FG_TRIGGERIN_SRC = 2`
- `FG_TRIGGERIN_POLARITY = LOW_ACTIVE`
- `FG_TRIGGER_MULTIPLY_PULSES = 3`

The parameter specifies the multiplication factor of the sequencer. For each input pulse, we have to generate three internal pulses. The period time of this multiplication is defined by parameter `FG_TRIGGER_FRAMESPERSECOND`

- `FG_TRIGGER_FRAMESPERSECOND = 14285`

This time, the maximum frames per second correspond to the gap between the multiplied trigger pulses. We need a gap of 70µs which results in a frequency of 14285Hz.

- `FG_TRIGGER_PULSEFORMGEN0_WIDTH = 50`

Again, we use pulse form generator 0 for trigger signal generation. The pulse width is 50µs. A delay or downscaling is not required.

- `FG_TRIGGER_PULSEFORMGEN1_WIDTH = 50`

The pulse width for the flash lights depends on the hardware used. We assume a width of 50µs in this example.

- `FG_TRIGGER_PULSEFORMGEN2_WIDTH = 50`
- `FG_TRIGGER_PULSEFORMGEN3_WIDTH = 50`
- `FG_TRIGGER_PULSEFORMGEN1_DOWNSCALE = 3`

The flash outputs need a downscale of three. This is the same for all flash pulse form generators.

- `FG_TRIGGER_PULSEFORMGEN2_DOWNSCALE = 3`
- `FG_TRIGGER_PULSEFORMGEN3_DOWNSCALE = 3`

- *FG\_TRIGGER\_PULSEFORMGEN1\_DOWNSCALE\_PHASE* = 0

We use the phase shift for delaying the downscaled signals of the outputs. You could use the delay instead, but any frequency change will require a change of the delay as well. The phase shift of pulse form generator 1 i.e. the first flash light is 0.

- *FG\_TRIGGER\_PULSEFORMGEN2\_DOWNSCALE\_PHASE* = 1

The phase shift of pulse form generator 2 i.e. the second flash light is 1.

- *FG\_TRIGGER\_PULSEFORMGEN3\_DOWNSCALE\_PHASE* = 2

The phase shift of pulse form generator 3 i.e. the third flash light is 2.

- *FG\_TRIGGERCAMERA\_SOURCE\_CXP0* = **PULSEGEN0\_RISING** and  
*FG\_TRIGGERCAMERA\_SOURCE\_CXP1* = **PULSEGEN0\_FALLING**

The output allocation is as usual.

- *FG\_TRIGGEROUT\_SELECT\_FRONT\_GPO\_0* = **PULSEGEN1**

- *FG\_TRIGGEROUT\_SELECT\_FRONT\_GPO\_1* = **PULSEGEN2**

Start the trigger system using parameter *FG\_TRIGGERSTATE* as usual. You will notice that you get thrice the number of images from the frame grabber than external trigger pulses have been generated by the light barrier. Equally to the previous example, check for exceeding line periods at the input when you run your application or ensure that your external hardware will not generate the input pulses with an exceeding frequency.

Keep in mind to start the acquisition before activating the trigger system. This is because you will receive three images for one external trigger pulse. If you start the acquisition after the trigger system, you cannot ensure that the first transferred image is the first image out of a sequence.

#### 7.4.4. Software Trigger

The previous examples showed the use of the internal frequency generator and the use of external trigger pulses to trigger your camera and generate digital output signals. Another trigger mode is the software trigger. In this mode, you can control the generation of each trigger pulse using your software application. To use the software triggered mode, set parameter *FG\_AREATRIGGERMODE* to **ATM\_SOFTWARE**. Next, configure the pulse form generators and the outputs as usual and start the trigger system (set *FG\_TRIGGERSTATE* to **TS\_ACTIVE**) and the acquisition. Now, you can generate a trigger pulse by writing value '1' to parameter *FG\_SENDSOFTWARETRIGGER* i.e. each time you write to this parameter, a trigger pulse is generated. The relevant blocks of the trigger system are illustrated in the following figure.

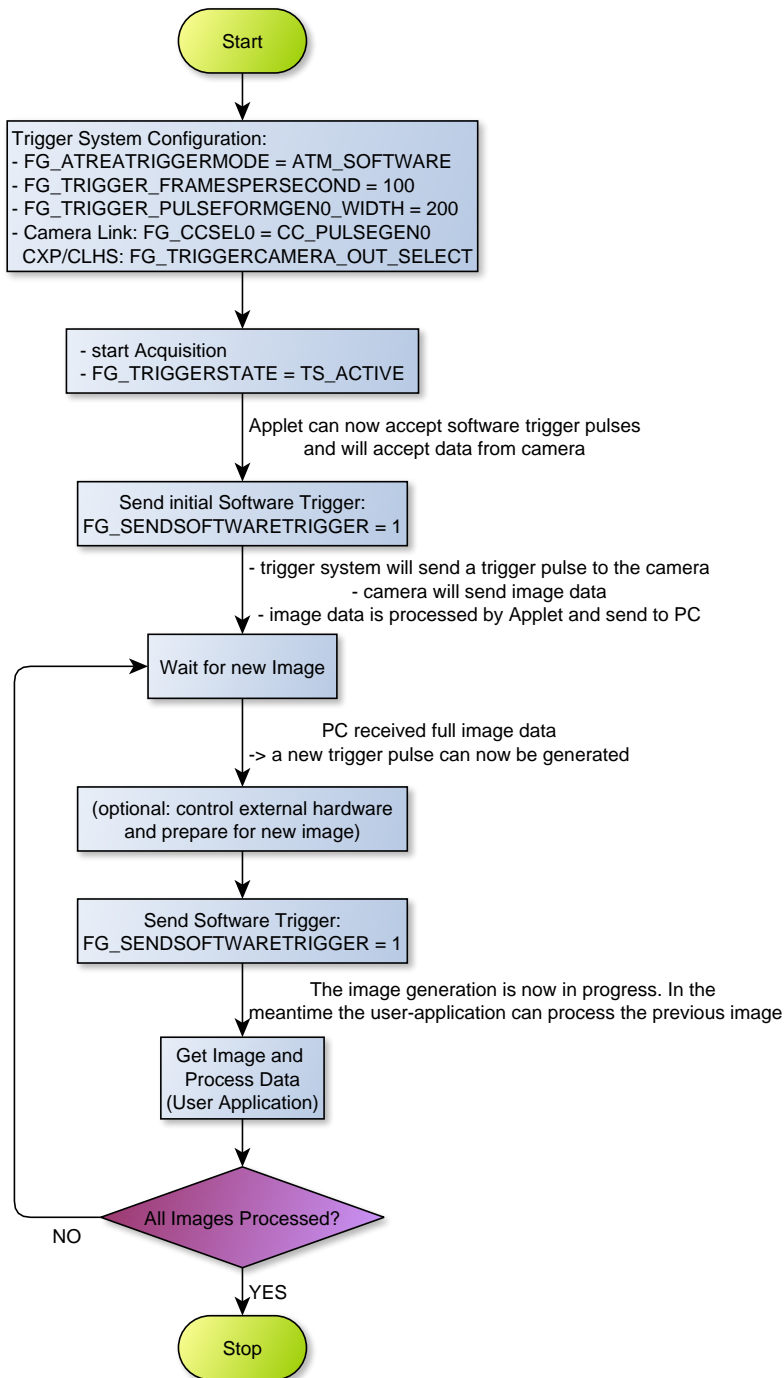
Keep in mind that the time between two pulses has to be larger than  $1 / FG\_TRIGGER\_FRAMESPERSECOND$  as this will limit the maximum trigger frequency. The trigger system offers the possibility to check if a new software trigger pulse can be accepted i.e. the trigger system is not busy anymore. Read parameter *FG\_SOFTWARETRIGGER\_IS\_BUSY* to check it's state. While the parameter has value **IS\_BUSY**, writing to parameter *FG\_SENDSOFTWARETRIGGER* is not allowed and will be ignored. You should always check if the system is not busy before writing a pulse. To check if you lost a pulse, read parameter *FG\_TRIGGER\_EXCEEDED\_PERIOD\_LIMITS*.

In some cases, you might want to generate a sequence of pulses for each software trigger. To do this, simply set parameter *FG\_TRIGGER\_MULTIPLY\_PULSES* to the desired sequence length. Now, for every software trigger pulse written to the trigger system, a sequence of the define length with a frequency defined by parameter *FG\_TRIGGER\_FRAMESPERSECOND* is generated. Again, the system cannot accept further inputs while a sequence is being processed.

Let's have a look at some flow chart examples on how to use the trigger system in software triggered mode. The flow charts visualize the steps of a fictitious user software implementation. In the first example, we simply generate single software trigger pulses using parameter *FG\_SENDSOFTWARETRIGGER*. When the applet receives this pulse, it will trigger the camera. The camera will send an image to the frame grabber which

will be processed there and will be output to the PC via DMA transfer. In the meantime, the users software application will wait for any DMA transfers. After the application got the notification that a new image has been fully tranferred to the PC it will send a new software trigger pulse and the frame grabber and camera will start again generating an image. Our software application will now have the time to process the previously received image until it is waiting for a new transfer. Thus, the software can process images while image generation is in progress. Of course, you can first process your images and afterwards generate a new trigger pulse, as well. So the steps for a repeating sequence are: Generate a SW trigger pulse, wait for image, generate a SW trigger pulse, wait for image. The flowchart of this example can be found in the following figure.

Figure 7.13. Flowchart of Software Application Using the Software Trigger



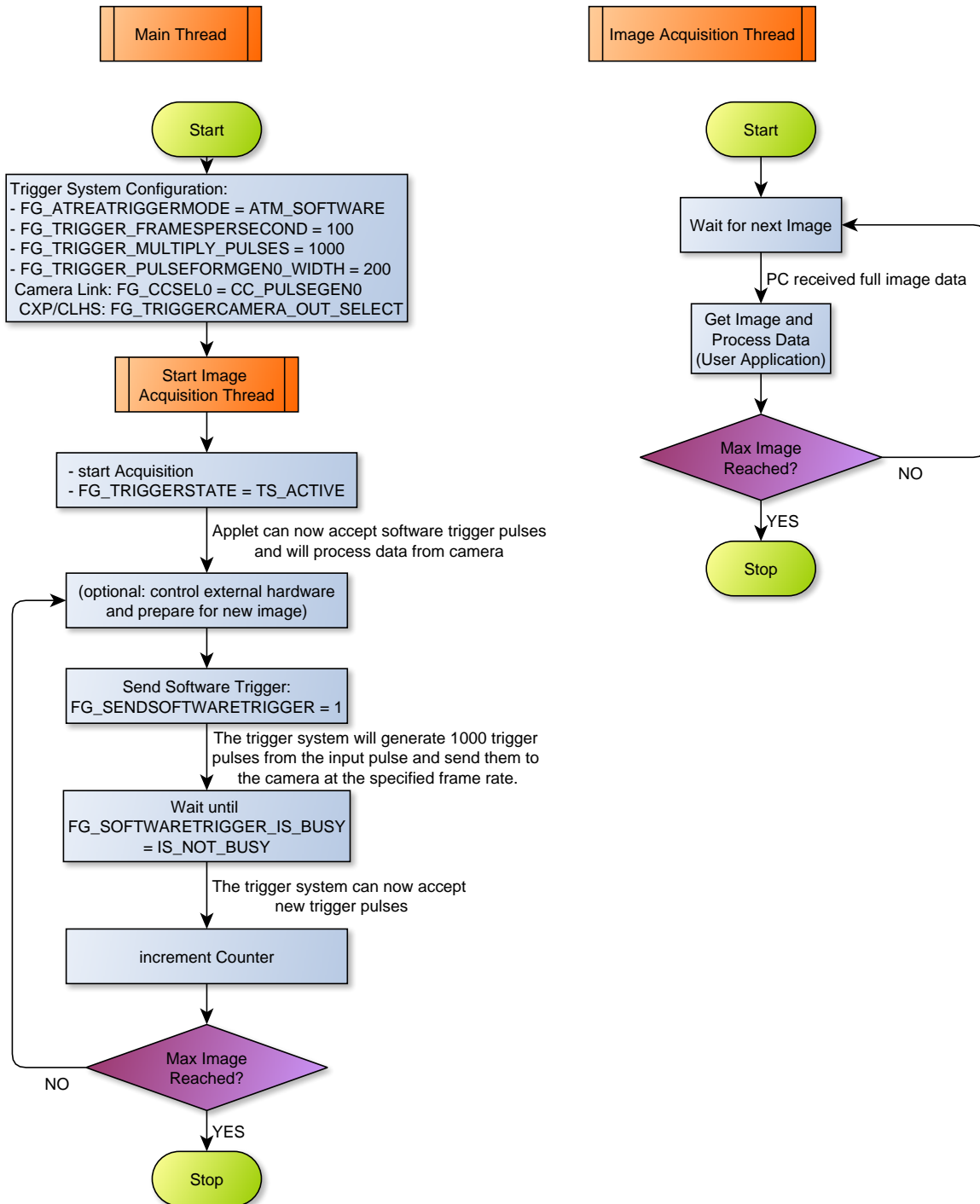
In the sample application shown above, it is ensured that the trigger system is not busy after you received the image. Therefore, we do not need to check for the software trigger busy flag in this example. One drawback of the example is that we might not acquire the frames at the maximum speed. This is because we have to wait



for the full transfer of images before generating a new trigger pulse. Cameras can accept new trigger pulses while they transfer image data. The next example will therefore use the trigger sequencer.

The next example uses two threads. One thread for trigger generation and one thread for image acquisition and processing. In comparison to the previous example, we use the trigger sequencer for pulse multiplication and we will have to use the busy flag. This will allow an acquisition at a higher frame rate.

Figure 7.14. Flowchart of Software Application Using the Software Trigger with a Sequencer



The main thread will configure and start the trigger system and the acquisition. For each software trigger pulse we send to the frame grabber, 1000 pulses are generated and send to the camera at the framerate specified by *FG\_TRIGGER\_FRAMESPERSECOND*. After sending a software trigger pulse to the frame grabber we wait until the software is not busy anymore by polling on register *FG\_SOFTWARETRIGGER\_IS\_BUSY*. To control

the number of generated trigger pulses we count each successful sequence generation. If more images are required we can send another software trigger pulse to the frame grabber to start a new sequence.

The second thread is used for image acquisition and image data processing. Here, the software will wait for new incoming images (Use function `Fg_getLastPicNumberBlockingEx()` for example) and process the received images. The thread can exit if the desired number of images have been acquired and processed.

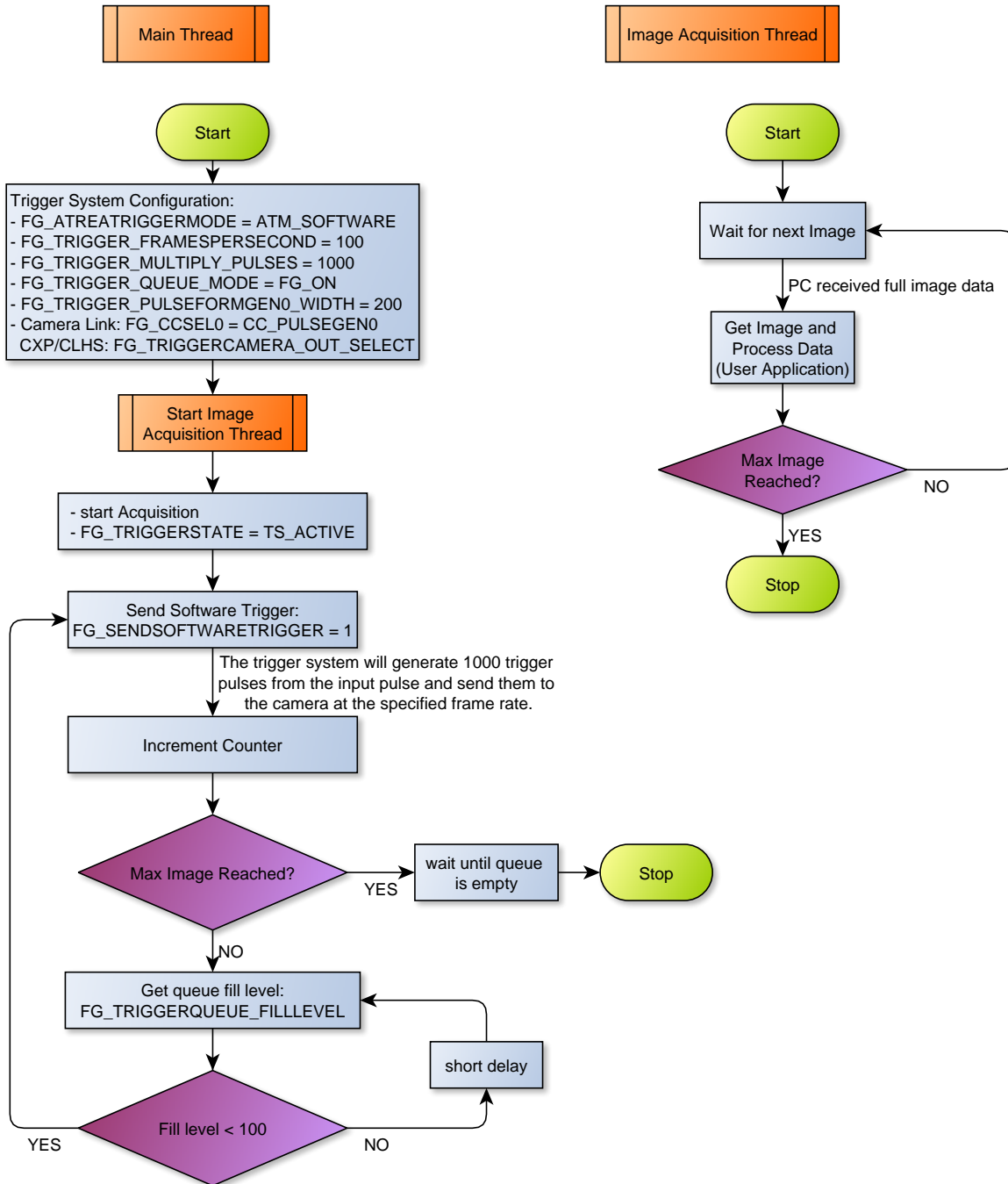
#### 7.4.5. Software Trigger with Trigger Queue

To understand the following scenario you should have read the previous scenario first. In the following we will have a look at the software trigger once again. This time, we use the trigger queue. The trigger queue enables the buffering of trigger pulses from external sources or from the software trigger and will output these pulses at the maximum allowed frequency specified by `FG_TRIGGER_FRAMESPERSECOND`. Therefore, we can write to `FG_SENDSOFTWARETRIGGER` multiple times even if the trigger system is still busy. Parameter `FG_SOFTWARETRIGGER_IS_BUSY` will only have value **IS\_BUSY** if the queue is full. Instead of writing multiple times to `FG_SENDSOFTWARETRIGGER` you can directly write the number of required pulses to the parameter.

The trigger queue can buffer 2040 sequence pulses. Thus if you have a certain sequence length of N pulses and currently 200 pulses in the queue, the trigger system can store additional 1840 remaining pulses. You can check the fill level by reading parameter `FG_TRIGGERQUEUE_FILLEVEL`.

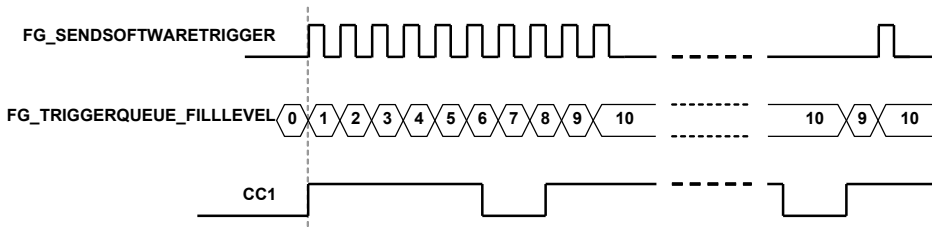
In the following flow chart you can see a queue fill level minimum limit of 10 pulses. In our supposed application we will check the queue fill level and compare it with our limit. If less pulses are in the queue, we generate a new software trigger pulse. Thus, on startup, the queue will fill-up until it contains 10 pulses. We count the software trigger pulses send to the trigger system. Multiplied with our sequence length, we can obtain the number of pulses which will be send to the camera. If enough pulses have been generated, we can stop the trigger pulse generation.

Figure 7.15. Flowchart of Software Application Using the Software Trigger with Trigger Queue



When having a look at the waveform (Figure 7.16) we can see the initialization phase where the queue is filled. After fill level value 10 has been reached, no more software trigger pulses are written to the applet. The system will now continue the output of trigger pulses. As our sequence length is 1000 pulses we have to wait for 1000 pulses to be generated until a change in the fill level will occur. After the 1000th pulse has been completely generated, the fill level will change to 9. This will cause the generation of another software trigger pulse by our sample application which will cause a fill level of 10 again.

Figure 7.16. Waveform Illustrating Software Trigger with Queue Example"



When using the trigger queue, the stopping of the trigger system is of interest. If you set parameter *FG\_TRIGGERSTATE* to **TS\_SYNC\_STOP**, the trigger system will stop accepting inputs such as software trigger pulses, but it will complete the trigger pulse generation until the queue is empty and all pulses are fully output. You can immediately cancel the pulse generation by setting the *FG\_TRIGGERSTATE* to **TS\_ASYNC\_STOP**.

### 7.4.6. External Trigger with Trigger Queue

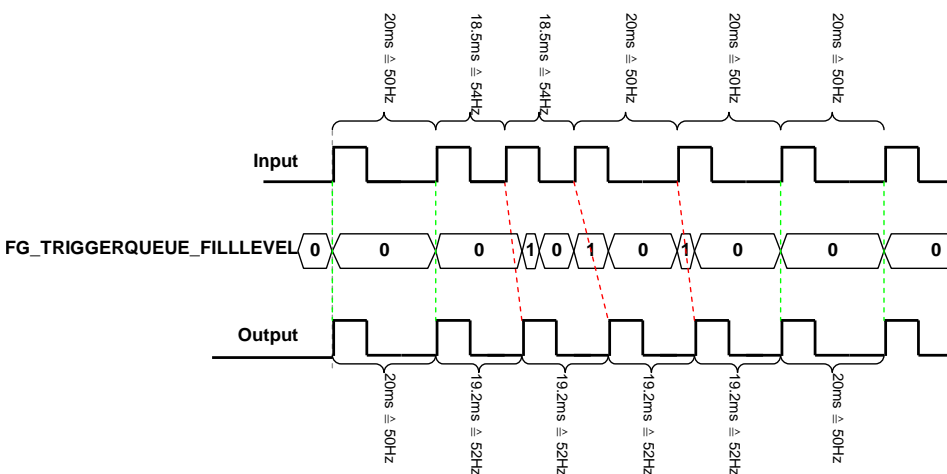
Of course, we can use the trigger queue with external triggers, too. This will give us a possibility to buffer 'jumpy' external encoders or any other external trigger signal generators. Let's suppose an external encoder which is configured to generate trigger pulses with a frequency of 50Hz and a camera which can be run at a maximum frequency of 52Hz. Thus, we set parameter *FG\_TRIGGER\_FRAMESPERSECOND* to 52Hz. Now assume that the external hardware is a little 'jumpy' and the 50Hz is just an average. So if we have inputs with a frequency higher than 52Hz we will lose at least one pulse. You can check this using the trigger lost events or by reading parameter *FG\_TRIGGER\_EXCEEDED\_PERIOD\_LIMITS*.

Now let's have a look at the same scenario if the queue is enabled. If it is enabled, we can buffer trigger pulses. Thus, we can buffer the exceeding input frequency and output the pulses at the maximum camera trigger frequency which is 52Hz in our example. After the input frequency is reduced, the queue will get empty and the pulse output is synchronous to the input again. Note that the delay might result in images with wrong content such as 'shifted' object positions.

To enable the queue, just write value **FG\_ON** to *FG\_TRIGGERQUEUE\_MODE*.

The following waveform illustrates the input signal, the queue fill level and the output signal. At the beginning, the gap between the first two input signals is 20ms i.e. the frequency is less than 52Hz. Thus, the queue will not fill with pulses and the trigger system will directly output the second pulse. Now, the gap between the second and the third as well as the fourth pulse is less than 19.2ms and therefore, the trigger system will delay the output of these pulses to have a minimum gap of 19.2ms. During this period, the queue fill level will increment to value 1 for short periods. The gap between the fourth and the following input pulses is sufficiently long enough, however, the system will have to delay these pulses, too.

Figure 7.17. Using External Trigger Signal Sources together with the Trigger Queue



Note that the trigger lost event and *FG\_TRIGGER\_EXCEEDED\_PERIOD\_LIMITS* will only be set if the queue is full i.e. in overflow condition.

### 7.4.7. Bypass External Trigger Signals

When external trigger signals are used, the duty cycle i.e. signal width or signal length will always be ignored. Only the rising or falling edge depending on the polarity settings is considered. However, you can bypass an external source directly to an output. For example, you can bypass an external source to the camera which allows you to control the exposure time with the external source. Mind that you will bypass the trigger core system and therefore, no frequency checks or downscales can be performed.

Use the output select parameters for camera control or digital outputs to select a bypass source. These are for example:

- `FG_TRIGGERCAMERA_SOURCE_CXP0 = BYPASS_FRONT_GPI_0_RISING` and  
`FG_TRIGGERCAMERA_SOURCE_CXP1 = BYPASS_FRONT_GPI_0_FALLING`
- `FG_TRIGGEROUT_SELECT_FRONT_GPO_0 = BYPASS_FRONT_GPI_1`

### 7.4.8. Multi Camera Applications / Synchronized Cameras

A basic application is that multiple cameras at one or more frame grabbers are connected to the same trigger source. If all cameras have to acquire images for every trigger pulse. Simply connect the trigger source to all frame grabbers and set the same trigger configuration for all cameras. Some applets support more than one camera. In this case, the same parameters for all cameras should be set. They may share the same trigger input.

If you do not have an external trigger source, but use the generator or the software trigger you can synchronize the triggers to ensure camera exposures at the same moment. Simply output the camera control signal on a digital trigger output and connect this output to a digital input of other frame grabbers which have to be synchronized with the master. In the slave applets bypass the input to the camera control outputs.



#### Arbitrary Output Allocation

In multiple camera applets you can also select another camera trigger module source. For example, CXP trigger source for camera 1 can use **CAM\_A\_PULSEGEN0**.

### 7.4.9. Hardware System Analysis and Error Detection / Trigger Debugging

The Basler trigger system includes powerful monitoring possibilities. They allow a convenient and efficient system analysis and will help you to detect errors in your hardware setup and wrong parameterizations.

Let's have a look at the simple external trigger example once again. Assume that you have set up all devices and have fully configured the applet. You start the system and receive images. Unfortunately, the number of acquired images or the framerate is not as expected. This means, at some point trigger signals or frames got lost. To analyze the error, let's have a look at the monitoring applet registers.

- Trigger Input Statistics

The parameters of the trigger input statistics category allow an analysis of the external trigger pulses. Parameter `FG_TRIGGERIN_STATS_FREQUENCY` performs a continuous frequency measurement of the input signals. Compare this value with the expected trigger input frequency. If the measured frequency is much higher or lower than the expected frequency, check your external hardware. Also check if the correct trigger input has been chosen by parameter `FG_TRIGGERIN_SRC` and if the pulse width of the input is long enough to be detected by the hardware.

To validate a constant input frequency, the trigger system will also show the maximum and minimum detected frequencies using parameters `FG_TRIGGERIN_STATS_MAXFREQUENCY` and `FG_TRIGGERIN_STATS_MINFREQUENCY`. On startup, you will have a very low frequency as no external pulses might have been detected so far. Therefore, you have to clear the measurement using parameter `FG_TRIGGERIN_STATS_MINMAXFREQUENCY_CLEAR` first. If you detect an unwanted deviation from

the expected values or the difference between the minimum and maximum frequency is comparably high, your external trigger generating hardware might be 'jumpy', skips pulses or is 'bouncing' which causes pulse multiplication. In this case, you might be able to compensate the problem using a higher debouncing value, set a lower maximum allowed frequency (see Section 7.4.2, 'External Trigger Signals / IO Triggered') or use the trigger queue (see Section 7.4.6, 'External Trigger with Trigger Queue').

Another feature of the input statistics module is the pulse counting. This feature can be used to compare the number of input pulses with the output pulses and acquired images. Read the pulse count value from parameter *FG\_TRIGGERIN\_STATS\_PULSECOUNT*. To ensure a synchronized counting of the input and any output pulses and images you should clear the pulse counter before generating external trigger inputs.

- Trigger Output Statistics

A pulse counter is connected to the trigger output, too. Here you can select one of the pulse form generators using parameter *FG\_TRIGGEROUT\_STATS\_SOURCE* and read the value with parameter *FG\_TRIGGEROUT\_STATS\_PULSECOUNT*. Reset the pulse counter using *FG\_TRIGGEROUT\_STATS\_PULSECOUNT\_CLEAR*.

Use the pulse count value to compare it with the input pulse counter. If the values vary, pulses in the frame grabber have been discarded. This can happen if the input frequency is higher than the maximum allowed frequency specified by parameter *FG\_TRIGGER\_FRAMESPERSECOND*. If this happens, flag *FG\_TRIGGER\_EXCEEDED\_PERIOD\_LIMITS* will be set. Moreover, if the pulse counter values dramatically differ, ensure that no trigger multiplication and/or downscaling has been set. Check parameters *FG\_TRIGGERIN\_DOWNSCALE*, *FG\_TRIGGER\_MULTIPLY\_PULSES* and the downscale parameters of the pulse form generators.

It is also possible to count the input and output pulses with the input events and the output event *FG\_TRIGGER\_OUTPUT\_CAM0*.

- Camera Response Check

Trigger pulses might get lost in the link to the camera or the trigger frequency is too high to be processed by the camera. In this case, the number of frames received by the frame grabber differs from the trigger pulses sent. For this error, the trigger system includes the missing camera frame response detection module. The module can detect missing frames and generate an event for each lost frame or set a register. Check Section 7.5.12.6, 'Statistics' for more information and usage.

- Acquired Image Compare

Of course, it is also possible to count the number of acquired images i.e. the number of DMA transfers and compare them with the generated trigger pulses. If the values differ, you might have lost trigger pulses in the camera. In this case, check that the trigger frequency is not too high for the camera. Ensure that you do not run the applet in overflow state, where images can get lost in the applet. If the applet is run in overflow, check the maximum bandwidths of the applet. A smaller region of interest might solve the problems.

For every monitoring values, check the maximum and minimum ranges of the parameters. If pulse counters reached their maximum value, they will reset and start from zero.

## 7.5. Parameters

### 7.5.1. FG\_AREATRIGGERMODE

The area trigger system of this applet can be run in three different operation modes.

- Generator

An internal frequency generator at a specified frequency will be used as trigger source. All digital trigger inputs and software trigger pulses will be ignored.

- External

In this mode, one of the digital inputs is used as trigger source i.e. you can use an external source for trigger generation.

- Software

In software triggered mode, you will need to manually generate the trigger input signals. This has to be done by writing to an applet parameter.

- Synchronized

The synchronized mode is not available in this applet. Multi-camera applets include this option. Check the respective applet documentations in this case.



### Free-Run Mode

If you like to use your camera in free run mode you can use any of the modes described above. The camera will ignore all trigger pulses or, if required, you can disable the output or deactivate the trigger using parameter *FG\_TRIGGERSTATE*.



### Allowed Frequencies

Mind the influence of parameter *FG\_TRIGGER\_FRAMESPERSECOND* in external and software triggered mode. Always set this parameter for these modes.

Table 7.2. Parameter properties of FG\_AREATRIGGERMODE

Property	Value
Name	<b>FG_AREATRIGGERMODE</b>
Display Name	<b>Area Trigger Mode</b>
Type	<b>Enumeration</b>
Access policy	<b>Read/Write/Change</b>
Storage policy	<b>Persistent</b>
Allowed values	<b>ATM_GENERATOR</b> Generator <b>ATM_EXTERNAL</b> External <b>ATM_SOFTWARE</b> Software
Default value	<b>ATM_GENERATOR</b>

Example 7.1. Usage of FG\_AREATRIGGERMODE

```
int result = 0;
int value = ATM_GENERATOR;
const enum FgParamTypes type = FG_PARAM_TYPE_INT32_T;

if ((result = Fg_setParameterWithType(fg, FG_AREATRIGGERMODE, &value, 0, type)) < 0) {
    /* error handling */
}

if ((result = Fg_getParameterWithType(fg, FG_AREATRIGGERMODE, &value, 0, type)) < 0) {
    /* error handling */
}
```

## 7.5.2. FG\_TRIGGERSTATE

The area trigger system is operating in three trigger states. In the 'Active' state, the module is fully enabled. Trigger sources are used, pulses are queued, downscaled, multiplied and the output signals get their parameterized pulse forms. If the trigger is set into the 'Sync Stop' mode, the module will ignore further input pulses or stop the generation of pulses. However, the module will still process the pulses in the system. This means, a filled queue and the sequencer will continue processing the pulses and furthermore, the pulse form

generators will output the signals according to the parameterized parameters. Finally, the 'Async Stop' mode asynchronously and immediately stops the full trigger system. Note that this stop might result in output signals of undefined signal length as a current signal generation could be interrupted. Also note that a restart of a previously stopped trigger i.e. switching to the 'Active' state will clear the queue and the sequencer.

Table 7.3. Parameter properties of FG\_TRIGGERSTATE

Property	Value
Name	FG_TRIGGERSTATE
Display Name	Trigger State
Type	Enumeration
Access policy	Read/Write/Change
Storage policy	Persistent
Allowed values	TS_ACTIVE      Active TS_ASYNC_STOP   Async Stop TS_SYNC_STOP    Sync Stop
Default value	TS_SYNC_STOP

Example 7.2. Usage of FG\_TRIGGERSTATE

```

int result = 0;
int value = TS_SYNC_STOP;
const enum FgParamTypes type = FG_PARAM_TYPE_INT32_T;

if ((result = Fg_setParameterWithType(fg, FG_TRIGGERSTATE, &value, 0, type)) < 0) {
    /* error handling */
}

if ((result = Fg_getParameterWithType(fg, FG_TRIGGERSTATE, &value, 0, type)) < 0) {
    /* error handling */
}

```

### 7.5.3. FG\_TRIGGER\_FRAMESPERSECOND

This is a very important parameter of the trigger system. It is used for multiple functionalities.

If you run the trigger system in 'Generator' mode, this parameter will define the frequency of the generator. If you run the trigger system in 'External' or 'Software Trigger' operation mode, this parameter will specify the maximum allowed input frequency. Input frequencies which exceed this limit will cause the loss of the input pulse. To notify the user of this error, a read register contains an error flag or an event is generated. However, if the trigger queue is enabled, the exceeding pulses will be buffered and output at the maximum frequency which is defined by *FG\_TRIGGER\_FRAMESPERSECOND*. Thus, the parameter also defines the maximum queue output frequency. Moreover, it defines the maximum sequencer frequency. The maximum valid value of *FG\_TRIGGER\_FRAMESPERSECOND* is limited by *FG\_CAMERASIMULATOR\_FRAMERATE* in camera simulator mode.

Note that the range of this parameter depends on the settings in the pulse form generators. If you want to increase the frequency you might need to decrease the width or delay of one of the pulse form generators.

Equation 7.1. Dependency of Frequency and Pulse Form Generators

$$\frac{1}{\text{fps}} > \text{Max} \left\{ \begin{array}{l} \frac{\text{Max}\{\text{WIDTH0}, \text{DELAY0}\}}{\text{DOWNSCALE0}}, \\ \frac{\text{Max}\{\text{WIDTH1}, \text{DELAY1}\}}{\text{DOWNSCALE1}}, \\ \frac{\text{Max}\{\text{WIDTH2}, \text{DELAY2}\}}{\text{DOWNSCALE2}}, \\ \frac{\text{Max}\{\text{WIDTH3}, \text{DELAY3}\}}{\text{DOWNSCALE3}} \end{array} \right\}$$



- `fps = FG_TRIGGER_FRAMESPERSECOND`
- `WIDTH[0..3] = FG_TRIGGER_PULSEFORMGEN[0..3]_WIDTH`
- `DELAY[0..3] = FG_TRIGGER_PULSEFORMGEN[0..3]_DELAY`
- `DOWNSCALE[0..3] = FG_TRIGGER_PULSEFORMGEN[0..3]_DOWNSCALE`

Read the general trigger system explanations and the respective parameter explanations for more information.

Table 7.4. Parameter properties of `FG_TRIGGER_FRAMESPERSECOND`

Property	Value
Name	<code>FG_TRIGGER_FRAMESPERSECOND</code>
Display Name	Trigger Output Frequency
Type	Double
Access policy	Read/Write/Change
Storage policy	Persistent
Allowed values	Minimum 0.01455191523 Maximum 3.1249999999999996E7 Stepsize 2.220446049250313E-16
Default value	8.0
Unit of measure	Hz

Example 7.3. Usage of `FG_TRIGGER_FRAMESPERSECOND`

```

int result = 0;
double value = 8.0;
const enum FgParamTypes type = FG_PARAM_TYPE_DOUBLE;

if ((result = Fg_setParameterWithType(fg, FG_TRIGGER_FRAMESPERSECOND, &value, 0, type)) < 0) {
    /* error handling */
}

if ((result = Fg_getParameterWithType(fg, FG_TRIGGER_FRAMESPERSECOND, &value, 0, type)) < 0) {
    /* error handling */
}

```

## 7.5.4. Trigger Input

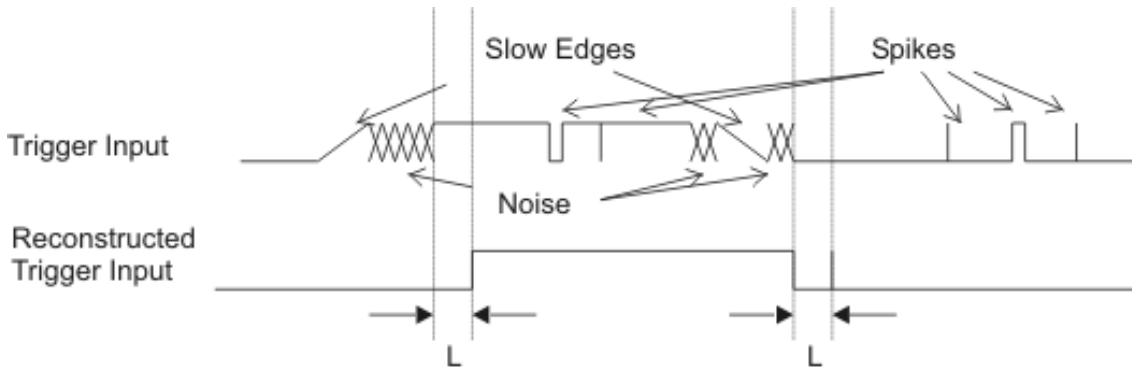
The parameters of category Trigger Input are used to configure the input source of the trigger system. The category is divided into sub categories. All external sources are configured in category external. Category software trigger allows the configuration, monitoring and controlling of software trigger pulses. In category statistics the parameters for input statistics are present.

### 7.5.4.1. External

#### 7.5.4.1.1. `FG_TRIGGERIN_DEBOUNCE`

In general, a perfect and steady trigger input signal can not be guaranteed in practice. A transfer using long cable connections and the operation in bad shielded environments might have a distinct influence on the signal quality. Typical problems are strong flattening of the digital's signal edges, occurring interferences during toggling and inducing of short jamming pulses (spikes). In the following figure, some of the influences are illustrated.

Figure 7.18. Faulty Signal and its Reconstruction



L : stability criterion of hysteresis

The trigger system has been designed to work highly reliable even under problematic signal conditions. An internal debouncing of the inputs will eliminate unwanted trigger pulses. It is comparable to a hysteresis. Only signal changes which are constant for a specified time (marked 'L' in the figure) are accepted which makes the input insensitive to jamming pulses. Also multiple triggering will be effectively disabled, which occurs by slow signal transfers and bouncing. Set the debounce time according to your requirements in  $\mu\text{s}$ . Note that the debounce time will also be the delay time before the trigger signal can be processed. The settings made for this parameter affect all digital inputs.

Table 7.5. Parameter properties of FG\_TRIGGERIN\_DEBOUNCE

Property	Value
Name	<b>FG_TRIGGERIN_DEBOUNCE</b>
Display Name	<b>Input Debounce</b>
Type	<b>Double</b>
Access policy	<b>Read/Write/Change</b>
Storage policy	<b>Persistent</b>
Allowed values	<b>Minimum 0.0</b> <b>Maximum 209.71200000000002</b> <b>Stepsize 0.0032</b>
Default value	<b>1.0</b>
Unit of measure	<b><math>\mu\text{s}</math></b>

Example 7.4. Usage of FG\_TRIGGERIN\_DEBOUNCE

```

int result = 0;
double value = 1.0;
const enum FgParamTypes type = FG_PARAM_TYPE_DOUBLE;

if ((result = Fg_setParameterWithType(fg, FG_TRIGGERIN_DEBOUNCE, &value, 0, type)) < 0) {
    /* error handling */
}

if ((result = Fg_getParameterWithType(fg, FG_TRIGGERIN_DEBOUNCE, &value, 0, type)) < 0) {
    /* error handling */
}

```

### 7.5.4.1.2. FG\_GPI

Parameter *FG\_GPI* is used to monitor the digital inputs of the frame grabber.

You can read the current state of these inputs using parameter *FG\_GPI*. Bit 0 of the read value represents input 0, bit 1 represents input 1 and so on. For example, if you obtain the value 37 or hexadecimal 0x25 the frame grabber will have high level on its digital inputs 0, 2 and 5.

Table 7.6. Parameter properties of FG\_GPI

Property	Value
Name	<b>FG_GPI</b>
Display Name	<b>GPI</b>
Type	<b>Unsigned Integer</b>
Access policy	<b>Read-Only</b>
Storage policy	<b>Transient</b>
Allowed values	<b>Minimum 0</b> <b>Maximum 255</b> <b>Stepsize 1</b>

Example 7.5. Usage of FG\_GPI

```

int result = 0;
unsigned int value = 0;
const enum FgParamTypes type = FG_PARAM_TYPE_UINT32_T;

if ((result = Fg_getParameterWithType(fg, FG_GPI, &value, 0, type)) < 0) {
    /* error handling */
}

```

### 7.5.4.1.3. FG\_FRONT\_GPI

Parameter *FG\_FRONT\_GPI* is used to monitor the digital inputs of the frame grabber.

You can read the current state of these inputs using parameter *FG\_FRONT\_GPI*. Bit 0 of the read value represents input 0, bit 1 represents input 1 and so on. For example, if you obtain the value 10 or hexadecimal 0xA the frame grabber will have high level on it's digital inputs 1 and 3.

Table 7.7. Parameter properties of FG\_FRONT\_GPI

Property	Value
Name	<b>FG_FRONT_GPI</b>
Display Name	<b>Front GPI</b>
Type	<b>Unsigned Integer</b>
Access policy	<b>Read-Only</b>
Storage policy	<b>Transient</b>
Allowed values	<b>Minimum 0</b> <b>Maximum 15</b> <b>Stepsize 1</b>

Example 7.6. Usage of FG\_FRONT\_GPI

```

int result = 0;
unsigned int value = 0;
const enum FgParamTypes type = FG_PARAM_TYPE_UINT32_T;

if ((result = Fg_getParameterWithType(fg, FG_FRONT_GPI, &value, 0, type)) < 0) {
    /* error handling */
}

```

### 7.5.4.1.4. FG\_TRIGGERIN\_SRC

To use the external trigger you have to select the input carrying the image trigger signal. Select one of the eight inputs. eight GPI and four Front GPI inputs. If *FG\_AREATRIGGERMODE* is not set to external, this parameter will select the input for the input statistics only.

Table 7.8. Parameter properties of FG\_TRIGGERIN\_SRC

Property	Value																								
Name	<b>FG_TRIGGERIN_SRC</b>																								
Display Name	<b>Trigger In Source</b>																								
Type	<b>Enumeration</b>																								
Access policy	<b>Read/Write/Change</b>																								
Storage policy	<b>Persistent</b>																								
Allowed values	<table border="0"> <tr><td><b>TRGINSRC_GPI_0</b></td><td>GPI Trigger Source 0</td></tr> <tr><td><b>TRGINSRC_GPI_1</b></td><td>GPI Trigger Source 1</td></tr> <tr><td><b>TRGINSRC_GPI_2</b></td><td>GPI Trigger Source 2</td></tr> <tr><td><b>TRGINSRC_GPI_3</b></td><td>GPI Trigger Source 3</td></tr> <tr><td><b>TRGINSRC_GPI_4</b></td><td>GPI Trigger Source 4</td></tr> <tr><td><b>TRGINSRC_GPI_5</b></td><td>GPI Trigger Source 5</td></tr> <tr><td><b>TRGINSRC_GPI_6</b></td><td>GPI Trigger Source 6</td></tr> <tr><td><b>TRGINSRC_GPI_7</b></td><td>GPI Trigger Source 7</td></tr> <tr><td><b>TRGINSRC_FRONT_GPI_0</b></td><td>Trigger In Source Front GPI 0</td></tr> <tr><td><b>TRGINSRC_FRONT_GPI_1</b></td><td>Trigger In Source Front GPI 1</td></tr> <tr><td><b>TRGINSRC_FRONT_GPI_2</b></td><td>Trigger In Source Front GPI 2</td></tr> <tr><td><b>TRGINSRC_FRONT_GPI_3</b></td><td>Trigger In Source Front GPI 3</td></tr> </table>	<b>TRGINSRC_GPI_0</b>	GPI Trigger Source 0	<b>TRGINSRC_GPI_1</b>	GPI Trigger Source 1	<b>TRGINSRC_GPI_2</b>	GPI Trigger Source 2	<b>TRGINSRC_GPI_3</b>	GPI Trigger Source 3	<b>TRGINSRC_GPI_4</b>	GPI Trigger Source 4	<b>TRGINSRC_GPI_5</b>	GPI Trigger Source 5	<b>TRGINSRC_GPI_6</b>	GPI Trigger Source 6	<b>TRGINSRC_GPI_7</b>	GPI Trigger Source 7	<b>TRGINSRC_FRONT_GPI_0</b>	Trigger In Source Front GPI 0	<b>TRGINSRC_FRONT_GPI_1</b>	Trigger In Source Front GPI 1	<b>TRGINSRC_FRONT_GPI_2</b>	Trigger In Source Front GPI 2	<b>TRGINSRC_FRONT_GPI_3</b>	Trigger In Source Front GPI 3
<b>TRGINSRC_GPI_0</b>	GPI Trigger Source 0																								
<b>TRGINSRC_GPI_1</b>	GPI Trigger Source 1																								
<b>TRGINSRC_GPI_2</b>	GPI Trigger Source 2																								
<b>TRGINSRC_GPI_3</b>	GPI Trigger Source 3																								
<b>TRGINSRC_GPI_4</b>	GPI Trigger Source 4																								
<b>TRGINSRC_GPI_5</b>	GPI Trigger Source 5																								
<b>TRGINSRC_GPI_6</b>	GPI Trigger Source 6																								
<b>TRGINSRC_GPI_7</b>	GPI Trigger Source 7																								
<b>TRGINSRC_FRONT_GPI_0</b>	Trigger In Source Front GPI 0																								
<b>TRGINSRC_FRONT_GPI_1</b>	Trigger In Source Front GPI 1																								
<b>TRGINSRC_FRONT_GPI_2</b>	Trigger In Source Front GPI 2																								
<b>TRGINSRC_FRONT_GPI_3</b>	Trigger In Source Front GPI 3																								
Default value	<b>TRGINSRC_GPI_0</b>																								

Example 7.7. Usage of FG\_TRIGGERIN\_SRC

```

int result = 0;
int value = TRGINSRC_GPI_0;
const enum FgParamTypes type = FG_PARAM_TYPE_INT32_T;

if ((result = Fg_setParameterWithType(fg, FG_TRIGGERIN_SRC, &value, 0, type)) < 0) {
    /* error handling */
}

if ((result = Fg_getParameterWithType(fg, FG_TRIGGERIN_SRC, &value, 0, type)) < 0) {
    /* error handling */
}

```

### 7.5.4.1.5. FG\_TRIGGERIN\_POLARITY

For the selected input using parameter *FG\_TRIGGERIN\_SRC* the polarity is set with this parameter.

Table 7.9. Parameter properties of FG\_TRIGGERIN\_POLARITY

Property	Value				
Name	<b>FG_TRIGGERIN_POLARITY</b>				
Display Name	<b>Trigger In Polarity</b>				
Type	<b>Enumeration</b>				
Access policy	<b>Read/Write/Change</b>				
Storage policy	<b>Persistent</b>				
Allowed values	<table border="0"> <tr><td><b>LOW_ACTIVE</b></td><td>Low Active</td></tr> <tr><td><b>HIGH_ACTIVE</b></td><td>High Active</td></tr> </table>	<b>LOW_ACTIVE</b>	Low Active	<b>HIGH_ACTIVE</b>	High Active
<b>LOW_ACTIVE</b>	Low Active				
<b>HIGH_ACTIVE</b>	High Active				
Default value	<b>HIGH_ACTIVE</b>				

Example 7.8. Usage of FG\_TRIGGERIN\_POLARITY

```

int result = 0;
int value = HIGH_ACTIVE;
const enum FgParamTypes type = FG_PARAM_TYPE_INT32_T;

if ((result = Fg_setParameterWithType(fg, FG_TRIGGERIN_POLARITY, &value, 0, type)) < 0) {

```

```

    /* error handling */
}

if ((result = Fg_getParameterWithType(fg, FG_TRIGGERIN_POLARITY, &value, 0, type)) < 0) {
    /* error handling */
}

```

### 7.5.4.1.6. FG\_TRIGGERIN\_DOWNSCALE

If you use the trigger system in external trigger mode, you can downscale the trigger inputs selected by *FG\_TRIGGERIN\_SRC*. See *FG\_TRIGGERIN\_DOWNSCALE\_PHASE* for more information.

Table 7.10. Parameter properties of FG\_TRIGGERIN\_DOWNSCALE

Property	Value
Name	<b>FG_TRIGGERIN_DOWNSCALE</b>
Display Name	<b>Trigger In Downscale</b>
Type	<b>Unsigned Integer</b>
Access policy	<b>Read/Write/Change</b>
Storage policy	<b>Persistent</b>
Allowed values	<b>Minimum 1</b> <b>Maximum 2147483647</b> <b>Stepsize 1</b>
Default value	<b>1</b>

Example 7.9. Usage of FG\_TRIGGERIN\_DOWNSCALE

```

int result = 0;
unsigned int value = 1;
const enum FgParamTypes type = FG_PARAM_TYPE_UINT32_T;

if ((result = Fg_setParameterWithType(fg, FG_TRIGGERIN_DOWNSCALE, &value, 0, type)) < 0) {
    /* error handling */
}

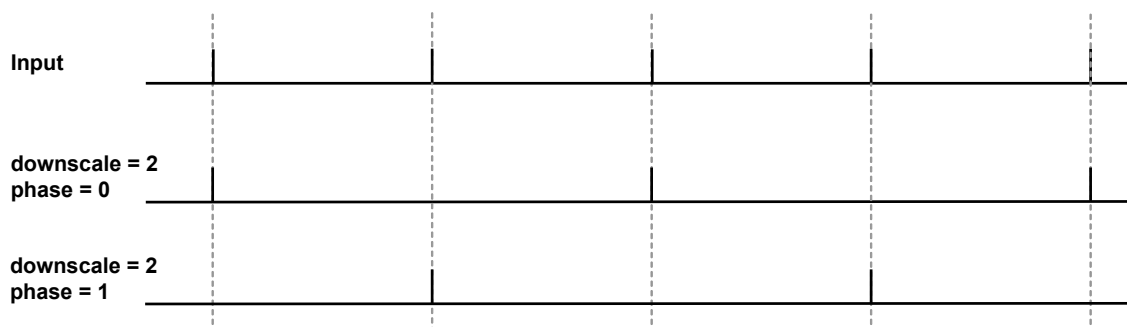
if ((result = Fg_getParameterWithType(fg, FG_TRIGGERIN_DOWNSCALE, &value, 0, type)) < 0) {
    /* error handling */
}

```

### 7.5.4.1.7. FG\_TRIGGERIN\_DOWNSCALE\_PHASE

Parameters *FG\_TRIGGERIN\_DOWNSCALE* and *FG\_TRIGGERIN\_DOWNSCALE\_PHASE* are used to downscale external trigger inputs. The downscale value represents the factor. For example value three will remove two out of three successive trigger pulses. The phase is used to make the selection of the pulse in the sequence. For the given example, a phase set to value zero will forward the first pulse and will remove pulses two and three of a sequence of three pulses. See the following figure for more explanations.

Figure 7.19. Triggerin Dowscale



Mind the dependency between the downscale factor and the phase. The value of the downscale factor has to be greater than the phase!

Table 7.11. Parameter properties of FG\_TRIGGERIN\_DOWNSCALE\_PHASE

Property	Value
Name	FG_TRIGGERIN_DOWNSCALE_PHASE
Display Name	Trigger In Downscale Phase
Type	Unsigned Integer
Access policy	Read/Write/Change
Storage policy	Persistent
Allowed values	Minimum 0 Maximum 4294967294 Stepsize 1
Default value	0

Example 7.10. Usage of FG\_TRIGGERIN\_DOWNSCALE\_PHASE

```

int result = 0;
unsigned int value = 0;
const enum FgParamTypes type = FG_PARAM_TYPE_UINT32_T;

if ((result = Fg_setParameterWithType(fg, FG_TRIGGERIN_DOWNSCALE_PHASE, &value, 0, type)) < 0) {
    /* error handling */
}

if ((result = Fg_getParameterWithType(fg, FG_TRIGGERIN_DOWNSCALE_PHASE, &value, 0, type)) < 0) {
    /* error handling */
}

```

## 7.5.4.2. Software Trigger

### 7.5.4.2.1. FG\_SENDSOFTWARETRIGGER

If the trigger system is run in software triggered mode (see parameter *FG\_AREATRIGGERMODE*), this parameter is activated. Write value '1' to this parameter to input a software trigger. If the trigger queue is activated multiple software trigger pulses can be written to the frame grabber. They will fill the queue and being processed with the maximum allowed frequency parameterized by *FG\_TRIGGER\_FRAMESPERSECOND*.

Note that software trigger pulses can only be written if the trigger system has been activated using parameter *FG\_TRIGGERSTATE*. Moreover, if the queue has not been activated, new software trigger pulses can only be written if the trigger system is not busy. Therefore, writing to the parameter can cause an Software Trigger Busy error.

Table 7.12. Parameter properties of FG\_SENDSOFTWARETRIGGER

Property	Value
Name	FG_SENDSOFTWARETRIGGER
Display Name	Send Software Trigger
Type	Unsigned Integer
Access policy	Read/Write/Change
Storage policy	Transient
Allowed values	Minimum 1 Maximum 1 Stepsize 1
Default value	1
Unit of measure	pulses

Example 7.11. Usage of FG\_SENDSOFTWARETRIGGER

```

int result = 0;
unsigned int value = 1;
const enum FgParamTypes type = FG_PARAM_TYPE_UINT32_T;

if ((result = Fg_setParameterWithType(fg, FG_SENDSOFTWARETRIGGER, &value, 0, type)) < 0) {
    /* error handling */
}

if ((result = Fg_getParameterWithType(fg, FG_SENDSOFTWARETRIGGER, &value, 0, type)) < 0) {
    /* error handling */
}

```

### 7.5.4.2.2. FG\_SOFTWARETRIGGER\_IS\_BUSY

After writing one or multiple pulses to the trigger system using the software trigger, the system might be busy for a while. To check if there are no pulses left for processing use this parameter.

Table 7.13. Parameter properties of FG\_SOFTWARETRIGGER\_IS\_BUSY

Property	Value
Name	FG_SOFTWARETRIGGER_IS_BUSY
Display Name	Software Trigger Is Busy
Type	Enumeration
Access policy	Read-Only
Storage policy	Transient
Allowed values	IS_BUSY Busy IS_NOT_BUSY Not Busy

Example 7.12. Usage of FG\_SOFTWARETRIGGER\_IS\_BUSY

```

int result = 0;
int value = IS_NOT_BUSY;
const enum FgParamTypes type = FG_PARAM_TYPE_INT32_T;

if ((result = Fg_getParameterWithType(fg, FG_SOFTWARETRIGGER_IS_BUSY, &value, 0, type)) < 0) {
    /* error handling */
}

```

### 7.5.4.2.3. FG\_SOFTWARETRIGGER\_QUEUE\_FILLLEVEL

The value of this parameter represents the number of pulses in the software trigger queue which have to be processed. The fill level depends on the number of pulses written to *FG\_SENDSOFTWARETRIGGER*, the trigger pulse multiplication factor *FG\_TRIGGER\_MULTIPLY\_PULSES* and the maximum output frequency defined by *FG\_TRIGGER\_FRAMESPERSECOND*. The value decrement is given in steps of *FG\_TRIGGER\_MULTIPLY\_PULSES*.

Table 7.14. Parameter properties of FG\_SOFTWARETRIGGER\_QUEUE\_FILLLEVEL

Property	Value
Name	FG_SOFTWARETRIGGER_QUEUE_FILLLEVEL
Display Name	Software Trigger Queue Fill Level
Type	Unsigned Integer
Access policy	Read-Only
Storage policy	Transient
Allowed values	Minimum 0 Maximum 2040 Stepsize 1
Unit of measure	pulses

**Example 7.13. Usage of FG\_SOFTWARETRIGGER\_QUEUE\_FILLEVEL**

```

int result = 0;
unsigned int value = 0;
const enum FgParamTypes type = FG_PARAM_TYPE_UINT32_T;

if ((result = Fg_getParameterWithType(fg, FG_SOFTWARETRIGGER_QUEUE_FILLEVEL, &value, 0, type)) < 0) {
    /* error handling */
}

```

### 7.5.4.3. Statistics

The trigger input statistics module will offer you frequency analysis and pulse counting of the selected input. The digital input for the statistics is selected by `FG_TRIGGERIN_POLARITY`. Measurements are performed after debouncing and polarity selection but before downscaling.

The statistics section also includes a list of digital input events.

#### 7.5.4.3.1. FG\_TRIGGERIN\_STATS\_SOURCE

The trigger statistics module allows you to individually select one of the inputs as source. Select one of the eight inputs.

**Table 7.15. Parameter properties of FG\_TRIGGERIN\_STATS\_SOURCE**

Property	Value																								
Name	<b>FG_TRIGGERIN_STATS_SOURCE</b>																								
Display Name	<b>Trigger In Statistics Source</b>																								
Type	<b>Enumeration</b>																								
Access policy	<b>Read/Write/Change</b>																								
Storage policy	<b>Persistent</b>																								
Allowed values	<table border="0"> <tr><td><b>TRGINSRC_GPI_0</b></td><td>GPI Trigger Source 0</td></tr> <tr><td><b>TRGINSRC_GPI_1</b></td><td>GPI Trigger Source 1</td></tr> <tr><td><b>TRGINSRC_GPI_2</b></td><td>GPI Trigger Source 2</td></tr> <tr><td><b>TRGINSRC_GPI_3</b></td><td>GPI Trigger Source 3</td></tr> <tr><td><b>TRGINSRC_GPI_4</b></td><td>GPI Trigger Source 4</td></tr> <tr><td><b>TRGINSRC_GPI_5</b></td><td>GPI Trigger Source 5</td></tr> <tr><td><b>TRGINSRC_GPI_6</b></td><td>GPI Trigger Source 6</td></tr> <tr><td><b>TRGINSRC_GPI_7</b></td><td>GPI Trigger Source 7</td></tr> <tr><td><b>TRGINSRC_FRONT_GPI_0</b></td><td>Trigger In Source Front GPI 0</td></tr> <tr><td><b>TRGINSRC_FRONT_GPI_1</b></td><td>Trigger In Source Front GPI 1</td></tr> <tr><td><b>TRGINSRC_FRONT_GPI_2</b></td><td>Trigger In Source Front GPI 2</td></tr> <tr><td><b>TRGINSRC_FRONT_GPI_3</b></td><td>Trigger In Source Front GPI 3</td></tr> </table>	<b>TRGINSRC_GPI_0</b>	GPI Trigger Source 0	<b>TRGINSRC_GPI_1</b>	GPI Trigger Source 1	<b>TRGINSRC_GPI_2</b>	GPI Trigger Source 2	<b>TRGINSRC_GPI_3</b>	GPI Trigger Source 3	<b>TRGINSRC_GPI_4</b>	GPI Trigger Source 4	<b>TRGINSRC_GPI_5</b>	GPI Trigger Source 5	<b>TRGINSRC_GPI_6</b>	GPI Trigger Source 6	<b>TRGINSRC_GPI_7</b>	GPI Trigger Source 7	<b>TRGINSRC_FRONT_GPI_0</b>	Trigger In Source Front GPI 0	<b>TRGINSRC_FRONT_GPI_1</b>	Trigger In Source Front GPI 1	<b>TRGINSRC_FRONT_GPI_2</b>	Trigger In Source Front GPI 2	<b>TRGINSRC_FRONT_GPI_3</b>	Trigger In Source Front GPI 3
<b>TRGINSRC_GPI_0</b>	GPI Trigger Source 0																								
<b>TRGINSRC_GPI_1</b>	GPI Trigger Source 1																								
<b>TRGINSRC_GPI_2</b>	GPI Trigger Source 2																								
<b>TRGINSRC_GPI_3</b>	GPI Trigger Source 3																								
<b>TRGINSRC_GPI_4</b>	GPI Trigger Source 4																								
<b>TRGINSRC_GPI_5</b>	GPI Trigger Source 5																								
<b>TRGINSRC_GPI_6</b>	GPI Trigger Source 6																								
<b>TRGINSRC_GPI_7</b>	GPI Trigger Source 7																								
<b>TRGINSRC_FRONT_GPI_0</b>	Trigger In Source Front GPI 0																								
<b>TRGINSRC_FRONT_GPI_1</b>	Trigger In Source Front GPI 1																								
<b>TRGINSRC_FRONT_GPI_2</b>	Trigger In Source Front GPI 2																								
<b>TRGINSRC_FRONT_GPI_3</b>	Trigger In Source Front GPI 3																								
Default value	<b>TRGINSRC_GPI_0</b>																								

**Example 7.14. Usage of FG\_TRIGGERIN\_STATS\_SOURCE**

```

int result = 0;
int value = TRGINSRC_GPI_0;
const enum FgParamTypes type = FG_PARAM_TYPE_INT32_T;

if ((result = Fg_setParameterWithType(fg, FG_TRIGGERIN_STATS_SOURCE, &value, 0, type)) < 0) {
    /* error handling */
}

if ((result = Fg_getParameterWithType(fg, FG_TRIGGERIN_STATS_SOURCE, &value, 0, type)) < 0) {
    /* error handling */
}

```

#### 7.5.4.3.2. FG\_TRIGGERIN\_STATS\_POLARITY



For the selected input using parameter `FG_TRIGGERIN_STATS_SOURCE` the polarity is set using this parameter.

Table 7.16. Parameter properties of `FG_TRIGGERIN_STATS_POLARITY`

Property	Value
Name	<code>FG_TRIGGERIN_STATS_POLARITY</code>
Display Name	<b>Trigger In Statistics Polarity</b>
Type	<b>Enumeration</b>
Access policy	<b>Read/Write/Change</b>
Storage policy	<b>Persistent</b>
Allowed values	<b>LOW_ACTIVE</b> Low Active <b>HIGH_ACTIVE</b> High Active
Default value	<b>HIGH_ACTIVE</b>

Example 7.15. Usage of `FG_TRIGGERIN_STATS_POLARITY`

```
int result = 0;
int value = HIGH_ACTIVE;
const enum FgParamTypes type = FG_PARAM_TYPE_INT32_T;

if ((result = Fg_setParameterWithType(fg, FG_TRIGGERIN_STATS_POLARITY, &value, 0, type)) < 0) {
    /* error handling */
}

if ((result = Fg_getParameterWithType(fg, FG_TRIGGERIN_STATS_POLARITY, &value, 0, type)) < 0) {
    /* error handling */
}
```

### 7.5.4.3.3. `FG_TRIGGERIN_STATS_PULSECOUNT`

The input pulses are count and the current value can be read with this parameter. Use the counter for verification of your system. For example, compare the counter value with the received number of images to check for exceeding periods.

Table 7.17. Parameter properties of `FG_TRIGGERIN_STATS_PULSECOUNT`

Property	Value
Name	<code>FG_TRIGGERIN_STATS_PULSECOUNT</code>
Display Name	<b>Trigger In Statistics Pulse Count</b>
Type	<b>Unsigned Integer</b>
Access policy	<b>Read-Only</b>
Storage policy	<b>Transient</b>
Allowed values	<b>Minimum 0</b> <b>Maximum 65535</b> <b>Stepsize 1</b>
Unit of measure	<b>pulses</b>

Example 7.16. Usage of `FG_TRIGGERIN_STATS_PULSECOUNT`

```
int result = 0;
unsigned int value = 0;
const enum FgParamTypes type = FG_PARAM_TYPE_UINT32_T;

if ((result = Fg_getParameterWithType(fg, FG_TRIGGERIN_STATS_PULSECOUNT, &value, 0, type)) < 0) {
    /* error handling */
}
```

}

#### 7.5.4.3.4. FG\_TRIGGERIN\_STATS\_PULSECOUNT\_CLEAR

Clear the input pulse counter by writing to this register.

Table 7.18. Parameter properties of FG\_TRIGGERIN\_STATS\_PULSECOUNT\_CLEAR

Property	Value
Name	FG_TRIGGERIN_STATS_PULSECOUNT_CLEAR
Display Name	Trigger In Statistics Pulse Count Clear
Type	Enumeration
Access policy	Read/Write/Change
Storage policy	Transient
Allowed values	FG_APPLY Apply
Default value	FG_APPLY

Example 7.17. Usage of FG\_TRIGGERIN\_STATS\_PULSECOUNT\_CLEAR

```
int result = 0;
int value = FG_APPLY;
const enum FgParamTypes type = FG_PARAM_TYPE_INT32_T;

if ((result = Fg_setParameterWithType(fg, FG_TRIGGERIN_STATS_PULSECOUNT_CLEAR, &value, 0, type)) < 0) {
    /* error handling */
}

if ((result = Fg_getParameterWithType(fg, FG_TRIGGERIN_STATS_PULSECOUNT_CLEAR, &value, 0, type)) < 0) {
    /* error handling */
}
```

#### 7.5.4.3.5. FG\_TRIGGERIN\_STATS\_FREQUENCY

The current frequency can be read using this parameter. It shows the frequency of the last two received pulses at the frame grabber.

Table 7.19. Parameter properties of FG\_TRIGGERIN\_STATS\_FREQUENCY

Property	Value
Name	FG_TRIGGERIN_STATS_FREQUENCY
Display Name	Trigger In Statistics Frequency
Type	Double
Access policy	Read-Only
Storage policy	Transient
Allowed values	<b>Minimum</b> 0.0 <b>Maximum</b> 3.125E8 <b>Stepsize</b> 2.220446049250313E-16
Unit of measure	Hz

Example 7.18. Usage of FG\_TRIGGERIN\_STATS\_FREQUENCY

```
int result = 0;
double value = 0.0;
const enum FgParamTypes type = FG_PARAM_TYPE_DOUBLE;

if ((result = Fg_getParameterWithType(fg, FG_TRIGGERIN_STATS_FREQUENCY, &value, 0, type)) < 0) {
```

```

    /* error handling */
}

```

### 7.5.4.3.6. FG\_TRIGGERIN\_STATS\_MINFREQUENCY

The trigger system will memorize the minimum detected input frequency. This will give you information about frequency peaks.

Table 7.20. Parameter properties of FG\_TRIGGERIN\_STATS\_MINFREQUENCY

Property	Value
Name	<b>FG_TRIGGERIN_STATS_MINFREQUENCY</b>
Display Name	<b>Trigger In Statistics Minimum Frequency</b>
Type	<b>Double</b>
Access policy	<b>Read-Only</b>
Storage policy	<b>Transient</b>
Allowed values	<b>Minimum 0.0</b> <b>Maximum 3.125E8</b> <b>Stepsize 2.220446049250313E-16</b>
Unit of measure	<b>Hz</b>

Example 7.19. Usage of FG\_TRIGGERIN\_STATS\_MINFREQUENCY

```

int result = 0;
double value = 0.0;
const enum FgParamTypes type = FG_PARAM_TYPE_DOUBLE;

if ((result = Fg_getParameterWithType(fg, FG_TRIGGERIN_STATS_MINFREQUENCY, &value, 0, type)) < 0) {
    /* error handling */
}

```

### 7.5.4.3.7. FG\_TRIGGERIN\_STATS\_MAXFREQUENCY

The trigger system will memorize the maximum detected input frequency. This will give you information about frequency peaks.

Table 7.21. Parameter properties of FG\_TRIGGERIN\_STATS\_MAXFREQUENCY

Property	Value
Name	<b>FG_TRIGGERIN_STATS_MAXFREQUENCY</b>
Display Name	<b>Trigger In Statistics Maximum Frequency</b>
Type	<b>Double</b>
Access policy	<b>Read-Only</b>
Storage policy	<b>Transient</b>
Allowed values	<b>Minimum 0.0</b> <b>Maximum 3.125E8</b> <b>Stepsize 2.220446049250313E-16</b>
Unit of measure	<b>Hz</b>

Example 7.20. Usage of FG\_TRIGGERIN\_STATS\_MAXFREQUENCY

```

int result = 0;
double value = 0.0;
const enum FgParamTypes type = FG_PARAM_TYPE_DOUBLE;

```

```

if ((result = Fg_getParameterWithType(fg, FG_TRIGGERIN_STATS_MAXFREQUENCY, &value, 0, type)) < 0) {
    /* error handling */
}

```

### 7.5.4.3.8. FG\_TRIGGERIN\_STATS\_MINMAXFREQUENCY\_CLEAR

To clear the minimum and maximum frequency measurements, write to this register. The minimum and maximum frequency will then be the current input frequency.

Table 7.22. Parameter properties of FG\_TRIGGERIN\_STATS\_MINMAXFREQUENCY\_CLEAR

Property	Value
Name	FG_TRIGGERIN_STATS_MINMAXFREQUENCY_CLEAR
Display Name	Trigger In Statistics Min Max Frequency Clear
Type	Enumeration
Access policy	Read/Write/Change
Storage policy	Transient
Allowed values	FG_APPLY Apply
Default value	FG_APPLY

Example 7.21. Usage of FG\_TRIGGERIN\_STATS\_MINMAXFREQUENCY\_CLEAR

```

int result = 0;
int value = FG_APPLY;
const enum FgParamTypes type = FG_PARAM_TYPE_INT32_T;

if ((result = Fg_setParameterWithType(fg, FG_TRIGGERIN_STATS_MINMAXFREQUENCY_CLEAR, &value, 0, type)) < 0) {
    /* error handling */
}

if ((result = Fg_getParameterWithType(fg, FG_TRIGGERIN_STATS_MINMAXFREQUENCY_CLEAR, &value, 0, type)) < 0) {
    /* error handling */
}

```

### 7.5.4.3.9. FG\_TRIGGER\_FRONT\_GPI0\_RISING

This event is generated for each rising signal edge at trigger input 0. Except for the timestamp, the event has no additional data included. Keep in mind that fast changes of the input signal can cause high interrupt rates which might slow down the system. This event can occur independent of the acquisition status.

For a general explanation on events see Event.

### 7.5.4.3.10. FG\_TRIGGER\_FRONT\_GPI0\_FALLING

This event is generated for each falling signal edge at trigger input 0. Except for the timestamp, the event has no additional data included. Keep in mind that fast changes of the input signal can cause high interrupt rates which might slow down the system. This event can occur independent of the acquisition status.

For a general explanation on events see Event.

### 7.5.4.3.11. FG\_TRIGGER\_INPUT0\_RISING

This event is generated for each rising signal edge at trigger input 0. Except for the timestamp, the event has no additional data included. Keep in mind that fast changes of the input signal can cause high interrupt rates which might slow down the system. This event can occur independent of the acquisition status.

For a general explanation on events see Event.

### 7.5.4.3.12. FG\_TRIGGER\_INPUT0\_FALLING

This event is generated for each falling signal edge at trigger input 0. Except for the timestamp, the event has no additional data included. Keep in mind that fast changes of the input signal can cause high interrupt rates which might slow down the system. This event can occur independent of the acquisition status.

For a general explanation on events see Event.

## 7.5.5. Sequencer

The sequencer is a powerful feature to generate multiple pulses out of one input pulse. It is available in external and software trigger mode, but not in generator mode. The sequencer multiplies an input pulse using the factor set by `FG_TRIGGER_MULTIPLY_PULSES`. The inserted pulses will have a time delay to the original signal according to the setting made for parameter `FG_TRIGGER_FRAMESPERSECOND`. Thus, the inserted pulses are not evenly distributed between the input pulses, they will be inserted with a delay specified by `FG_TRIGGER_FRAMESPERSECOND`. Hence, it is very important, that the multiplied pulses with a parameterized delay will not cause a loss of input signals.

Let's have a look at an example. Suppose you have an external trigger source generating a pulse once every second. Your input frequency will then be 1Hz. Assume that the sequencer is set to a multiplication factor of 2 and the maximum frequency defined by `FG_TRIGGER_FRAMESPERSECOND` is set to 2.1Hz.

The trigger system will forward each external pulse into the trigger system and will also generate a second pulse 0.48 seconds later. As you can see, the multiplication frequency is chosen to be slightly higher than the doubled input frequency. This will allow the compensation of varying input frequencies. If the time between two pulses at the input will be less than 0.96 seconds, you will lose the second pulse. Basler recommends the multiplication frequency to be fast enough to not lose pulses or recommends the activation of the trigger queue for compensation. You can check for lost pulses with parameter `FG_TRIGGER_EXCEEDED_PERIOD_LIMITS`.

### 7.5.5.1. FG\_TRIGGER\_MULTIPLY\_PULSES

Set the trigger input multiplication factor.

Table 7.23. Parameter properties of `FG_TRIGGER_MULTIPLY_PULSES`

Property	Value
Name	<code>FG_TRIGGER_MULTIPLY_PULSES</code>
Display Name	Upscale Trigger Pulses
Type	Unsigned Integer
Access policy	Read/Write/Change
Storage policy	Persistent
Allowed values	Minimum 1 Maximum 65535 Stepsize 1
Default value	1

Example 7.22. Usage of `FG_TRIGGER_MULTIPLY_PULSES`

```
int result = 0;
unsigned int value = 1;
const enum FgParamTypes type = FG_PARAM_TYPE_UINT32_T;
```

```

if ((result = Fg_setParameterWithType(fg, FG_TRIGGER_MULTIPLY_PULSES, &value, 0, type)) < 0) {
    /* error handling */
}

if ((result = Fg_getParameterWithType(fg, FG_TRIGGER_MULTIPLY_PULSES, &value, 0, type)) < 0) {
    /* error handling */
}

```

## 7.5.6. Queue

The maximum trigger output frequency is limited to the the setting of parameter *FG\_TRIGGER\_FRAMESPERSECOND*. This can avoid the loss of trigger pulses in the camera which is hard to detect. In some cases it is possible, that the frequency of your external trigger source varies. To prevent the loose of trigger pulses, you can activate the trigger queue to buffer these pulses. Furthermore, the queue can be used to buffer trigger input pulses if you use the sequencer and the software trigger.

Activate the trigger queue using parameter *FG\_TRIGGERQUEUE\_MODE*.

The queue fill level can be monitored by parameter *FG\_TRIGGERQUEUE\_FILLEVEL*. Moreover, two events allow monitoring of the fill level. Using parameters *FG\_TRIGGER\_QUEUE\_FILLEVEL\_EVENT\_ON\_THRESHOLD* and *FG\_TRIGGER\_QUEUE\_FILLEVEL\_EVENT\_OFF\_THRESHOLD* it is possible to set two thresholds. If the fill level exceeds the ON-threshold, the respective event *FG\_TRIGGER\_QUEUE\_FILLEVEL\_THRESHOLD\_CAM0\_ON* is generated. If the fill level gets less or equal than the OFF-threshold, the event *FG\_TRIGGER\_QUEUE\_FILLEVEL\_THRESHOLD\_CAM0\_OFF* is generated.

Note that a fill level value *n* indicates that between *n* and *n + 1* trigger pulses have to be processed by the system. Therefore, a fill level value zero means that no more values are in the queue, but there might be still a pulse (or multiple pulses if the sequencer is used) to be processed. There exists one exception for value zero obtained with *FG\_TRIGGERQUEUE\_FILLEVEL* i.e. the parameter and not the events. This value at this parameter truly indicates that no more pulses are in the queue and all pulses have been full processed.

### 7.5.6.1. FG\_TRIGGERQUEUE\_MODE

Activate the queue using this parameter. Note that a queue de-activation will erase all remaining values in the queue.

Table 7.24. Parameter properties of *FG\_TRIGGERQUEUE\_MODE*

Property	Value
Name	<b>FG_TRIGGERQUEUE_MODE</b>
Display Name	<b>Trigger Queue Mode</b>
Type	<b>Enumeration</b>
Access policy	<b>Read/Write/Change</b>
Storage policy	<b>Persistent</b>
Allowed values	<b>FG_ON</b> On <b>FG_OFF</b> Off
Default value	<b>FG_OFF</b>

Example 7.23. Usage of *FG\_TRIGGERQUEUE\_MODE*

```

int result = 0;
int value = FG_OFF;
const enum FgParamTypes type = FG_PARAM_TYPE_INT32_T;

if ((result = Fg_setParameterWithType(fg, FG_TRIGGERQUEUE_MODE, &value, 0, type)) < 0) {
    /* error handling */
}

```

```

}
if ((result = Fg_getParameterWithType(fg, FG_TRIGGERQUEUE_MODE, &value, 0, type)) < 0) {
    /* error handling */
}

```

### 7.5.6.2. FG\_TRIGGERQUEUE\_FILLLEVEL

Obtain the currently queued pulses with this parameter. At maximum 2040 pulses can be queued. The queue fill level includes the input pulses, i.e. the external trigger pulses in the queue or the software trigger pulses in the queue. The fill level does not include the pulses generated by the sequencer. The fill level is zero, if the trigger system is not busy anymore i.e. no more pulses are left to be processed.

Table 7.25. Parameter properties of FG\_TRIGGERQUEUE\_FILLLEVEL

Property	Value
Name	<b>FG_TRIGGERQUEUE_FILLLEVEL</b>
Display Name	<b>Trigger Queue Fill Level</b>
Type	<b>Unsigned Integer</b>
Access policy	<b>Read-Only</b>
Storage policy	<b>Transient</b>
Allowed values	<b>Minimum 0</b> <b>Maximum 2040</b> <b>Stepsize 1</b>
Unit of measure	<b>pulses</b>

Example 7.24. Usage of FG\_TRIGGERQUEUE\_FILLLEVEL

```

int result = 0;
unsigned int value = 0;
const enum FgParamTypes type = FG_PARAM_TYPE_UINT32_T;

if ((result = Fg_getParameterWithType(fg, FG_TRIGGERQUEUE_FILLLEVEL, &value, 0, type)) < 0) {
    /* error handling */
}

```

### 7.5.6.3. FG\_TRIGGER\_QUEUE\_FILLLEVEL\_EVENT\_ON\_THRESHOLD

Set the ON-threshold for fill level event generation with this parameter.

Table 7.26. Parameter properties of FG\_TRIGGER\_QUEUE\_FILLLEVEL\_EVENT\_ON\_THRESHOLD

Property	Value
Name	<b>FG_TRIGGER_QUEUE_FILLLEVEL_EVENT_ON_THRESHOLD</b>
Display Name	<b>Trigger Queue Fill Level Event On Threshold</b>
Type	<b>Unsigned Integer</b>
Access policy	<b>Read/Write/Change</b>
Storage policy	<b>Persistent</b>
Allowed values	<b>Minimum 2</b> <b>Maximum 2047</b> <b>Stepsize 1</b>
Default value	<b>2047</b>
Unit of measure	<b>pulses</b>

**Example 7.25. Usage of FG\_TRIGGER\_QUEUE\_FILLLEVEL\_EVENT\_ON\_THRESHOLD**

```

int result = 0;
unsigned int value = 2047;
const enum FgParamTypes type = FG_PARAM_TYPE_UINT32_T;

if ((result = Fg_setParameterWithType(fg, FG_TRIGGER_QUEUE_FILLLEVEL_EVENT_ON_THRESHOLD, &value, 0, type)) < 0) {
    /* error handling */
}

if ((result = Fg_getParameterWithType(fg, FG_TRIGGER_QUEUE_FILLLEVEL_EVENT_ON_THRESHOLD, &value, 0, type)) < 0) {
    /* error handling */
}

```

#### 7.5.6.4. FG\_TRIGGER\_QUEUE\_FILLLEVEL\_EVENT\_OFF\_THRESHOLD

Set the OFF-threshold for fill level event generation with this parameter.

**Table 7.27. Parameter properties of FG\_TRIGGER\_QUEUE\_FILLLEVEL\_EVENT\_OFF\_THRESHOLD**

Property	Value
Name	<b>FG_TRIGGER_QUEUE_FILLLEVEL_EVENT_OFF_THRESHOLD</b>
Display Name	<b>Trigger Queue Fill Level Event Off Threshold</b>
Type	<b>Unsigned Integer</b>
Access policy	<b>Read/Write/Change</b>
Storage policy	<b>Persistent</b>
Allowed values	<b>Minimum 2</b> <b>Maximum 2047</b> <b>Stepsize 1</b>
Default value	<b>2</b>
Unit of measure	<b>pulses</b>

**Example 7.26. Usage of FG\_TRIGGER\_QUEUE\_FILLLEVEL\_EVENT\_OFF\_THRESHOLD**

```

int result = 0;
unsigned int value = 2;
const enum FgParamTypes type = FG_PARAM_TYPE_UINT32_T;

if ((result = Fg_setParameterWithType(fg, FG_TRIGGER_QUEUE_FILLLEVEL_EVENT_OFF_THRESHOLD, &value, 0, type)) < 0) {
    /* error handling */
}

if ((result = Fg_getParameterWithType(fg, FG_TRIGGER_QUEUE_FILLLEVEL_EVENT_OFF_THRESHOLD, &value, 0, type)) < 0) {
    /* error handling */
}

```

#### 7.5.6.5. FG\_TRIGGER\_QUEUE\_FILLLEVEL\_THRESHOLD\_CAM0\_ON

The event is generated if the queue fill level exceeds the ON-threshold set by parameter *FG\_TRIGGER\_QUEUE\_FILLLEVEL\_EVENT\_ON\_THRESHOLD*. Except for the timestamp, the event has no additional data included.

For a general explanation on events see Event.

#### 7.5.6.6. FG\_TRIGGER\_QUEUE\_FILLLEVEL\_THRESHOLD\_CAM0\_OFF

The event is generated if the queue fill level gets less or equal than the OFF-threshold set by parameter *FG\_TRIGGER\_QUEUE\_FILLLEVEL\_EVENT\_OFF\_THRESHOLD*. Except for the timestamp, the event has no additional data included.



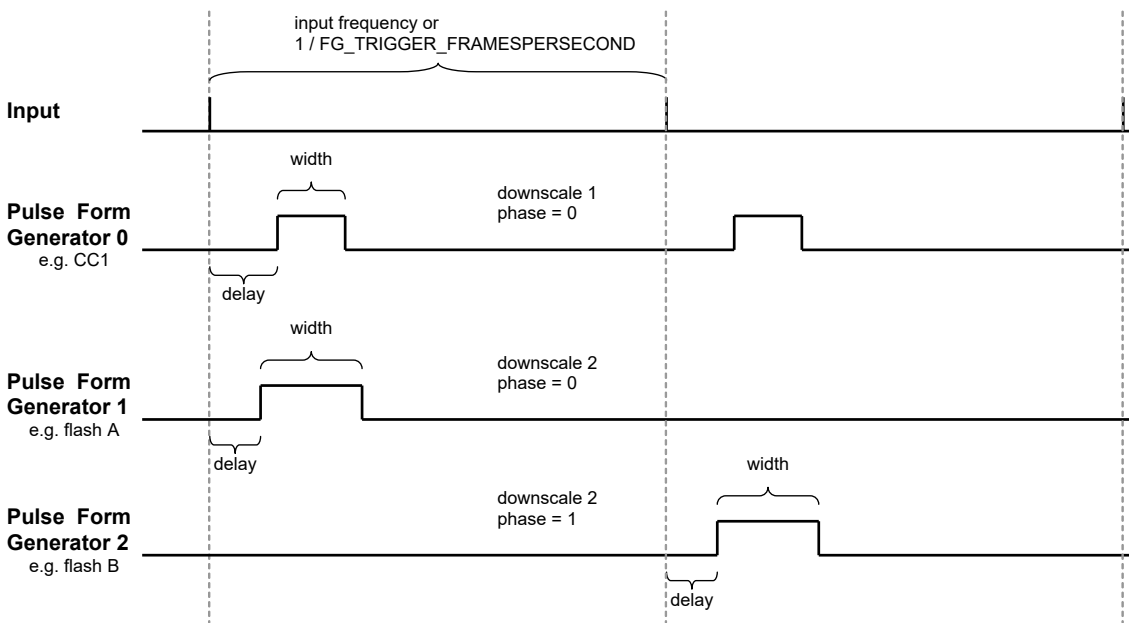
For a general explanation on events see Event.

### 7.5.7. Pulse Form Generator 0

The parameters explained previously were used to generate the trigger pulses. Next, we will need to prepare the pulses for the outputs. The area trigger system includes four individual pulse form generators. These generators define the width and delay of the output signals and also support downscaling of pulses which can be useful if different light sources are used successively. After parameterizing the pulse form generators you can arbitrarily allocate the pulse form generators to the outputs.

The following figure illustrates the output of the pulse form generators and the parameters.

Figure 7.20. Pulse Form Generators



Once again, note that the ranges of the parameters depend on the other settings in the pulse form generators and on parameter `FG_TRIGGER_FRAMESPERSECOND`. If you want to increase the frequency you might need to decrease the width or delay of one of the pulse form generators.

Equation 7.2. Dependency of Frequency and Pulse Form Generators

$$\frac{1}{\text{fps}} > \text{Max} \left\{ \begin{array}{l} \frac{\text{Max}\{\text{WIDTH0}, \text{DELAY0}\}}{\text{DOWNSCALE0}} \\ \frac{\text{Max}\{\text{WIDTH1}, \text{DELAY1}\}}{\text{DOWNSCALE1}} \\ \frac{\text{Max}\{\text{WIDTH2}, \text{DELAY2}\}}{\text{DOWNSCALE2}} \\ \frac{\text{Max}\{\text{WIDTH3}, \text{DELAY3}\}}{\text{DOWNSCALE3}} \end{array} \right\}$$

- `fps = FG_TRIGGER_FRAMESPERSECOND`
- `WIDTH[0..3] = FG_TRIGGER_PULSEFORMGEN[0..3]_WIDTH`
- `DELAY[0..3] = FG_TRIGGER_PULSEFORMGEN[0..3]_DELAY`
- `DOWNSCALE[0..3] = FG_TRIGGER_PULSEFORMGEN[0..3]_DOWNSCALE`

#### 7.5.7.1. FG\_TRIGGER\_PULSEFORMGEN0\_DOWNSCALE et al.



## Note

This description applies also to the following parameters:  
 FG\_TRIGGER\_PULSEFORMGEN1\_DOWNSCALE,  
 FG\_TRIGGER\_PULSEFORMGEN2\_DOWNSCALE,  
 FG\_TRIGGER\_PULSEFORMGEN3\_DOWNSCALE

The trigger pulses can be downscaled. Set the downscale factor by use of this parameter. Note the dependency between this parameter and the phase. See *FG\_TRIGGER\_PULSEFORMGEN[0..3]\_DOWNSCALE\_PHASE* for more information.

Table 7.28. Parameter properties of FG\_TRIGGER\_PULSEFORMGEN0\_DOWNSCALE

Property	Value
Name	FG_TRIGGER_PULSEFORMGEN0_DOWNSCALE
Display Name	Trigger Pulse Form Generator0 Downscale
Type	Unsigned Integer
Access policy	Read/Write/Change
Storage policy	Persistent
Allowed values	Minimum 1 Maximum 7 Stepsize 1
Default value	1

Example 7.27. Usage of FG\_TRIGGER\_PULSEFORMGEN0\_DOWNSCALE

```
int result = 0;
unsigned int value = 1;
const enum FgParamTypes type = FG_PARAM_TYPE_UINT32_T;

if ((result = Fg_setParameterWithType(fg, FG_TRIGGER_PULSEFORMGEN0_DOWNSCALE, &value, 0, type)) < 0) {
    /* error handling */
}

if ((result = Fg_getParameterWithType(fg, FG_TRIGGER_PULSEFORMGEN0_DOWNSCALE, &value, 0, type)) < 0) {
    /* error handling */
}
```

### 7.5.7.2. FG\_TRIGGER\_PULSEFORMGEN0\_DOWNSCALE\_PHASE et al.



## Note

This description applies also to the following parameters:  
 FG\_TRIGGER\_PULSEFORMGEN1\_DOWNSCALE\_PHASE,  
 FG\_TRIGGER\_PULSEFORMGEN2\_DOWNSCALE\_PHASE,  
 FG\_TRIGGER\_PULSEFORMGEN3\_DOWNSCALE\_PHASE

The parameter *FG\_TRIGGER\_PULSEFORMGEN[0..3]\_DOWNSCALE* defines the number of phases and parameter *FG\_TRIGGER\_PULSEFORMGEN[0..3]\_DOWNSCALE\_PHASE* selects the one being used. The downscale value represents the factor. For example value three will remove two out of three successive trigger pulses. The phase is used to make the selection of the pulse in the sequence. For the given example, a phase set to value zero will forward the first pulse and will remove pulses two and three of a sequence of three pulses. Check Section 7.5.7, 'Pulse Form Generator 0' for more information.

Take care of the dependency between the downscale factor and the phase. The factor has to be greater than the phase.

Table 7.29. Parameter properties of FG\_TRIGGER\_PULSEFORMGEN0\_DOWNSCALE\_PHASE

Property	Value
Name	FG_TRIGGER_PULSEFORMGEN0_DOWNSCALE_PHASE
Display Name	Trigger Pulse Form Generator0 Downscale Phase
Type	Unsigned Integer
Access policy	Read/Write/Change
Storage policy	Persistent
Allowed values	Minimum 0 Maximum 6 Stepsize 1
Default value	0

Example 7.28. Usage of FG\_TRIGGER\_PULSEFORMGEN0\_DOWNSCALE\_PHASE

```

int result = 0;
unsigned int value = 0;
const enum FgParamTypes type = FG_PARAM_TYPE_UINT32_T;

if ((result = Fg_setParameterWithType(fg, FG_TRIGGER_PULSEFORMGEN0_DOWNSCALE_PHASE, &value, 0, type)) < 0) {
    /* error handling */
}

if ((result = Fg_getParameterWithType(fg, FG_TRIGGER_PULSEFORMGEN0_DOWNSCALE_PHASE, &value, 0, type)) < 0) {
    /* error handling */
}

```

### 7.5.7.3. FG\_TRIGGER\_PULSEFORMGEN0\_DELAY et al.



#### Note

This description applies also to the following parameters:  
 FG\_TRIGGER\_PULSEFORMGEN1\_DELAY, FG\_TRIGGER\_PULSEFORMGEN2\_DELAY,  
 FG\_TRIGGER\_PULSEFORMGEN3\_DELAY

Set a signal delay with this parameter. The unit of this parameter is  $\mu\text{s}$ .

Table 7.30. Parameter properties of FG\_TRIGGER\_PULSEFORMGEN0\_DELAY

Property	Value
Name	FG_TRIGGER_PULSEFORMGEN0_DELAY
Display Name	Trigger Pulse Form Generator0 Delay
Type	Double
Access policy	Read/Write/Change
Storage policy	Persistent
Allowed values	Minimum 0.0 Maximum 3.4E7 Stepsize 0.0032
Default value	0.0
Unit of measure	$\mu\text{s}$

Example 7.29. Usage of FG\_TRIGGER\_PULSEFORMGEN0\_DELAY

```

int result = 0;

```

```

double value = 0.0;
const enum FgParamTypes type = FG_PARAM_TYPE_DOUBLE;

if ((result = Fg_setParameterWithType(fg, FG_TRIGGER_PULSEFORMGEN0_DELAY, &value, 0, type)) < 0) {
    /* error handling */
}

if ((result = Fg_getParameterWithType(fg, FG_TRIGGER_PULSEFORMGEN0_DELAY, &value, 0, type)) < 0) {
    /* error handling */
}

```

#### 7.5.7.4. FG\_TRIGGER\_PULSEFORMGEN0\_WIDTH et al.



#### Note

This description applies also to the following parameters: FG\_TRIGGER\_PULSEFORMGEN1\_WIDTH, FG\_TRIGGER\_PULSEFORMGEN2\_WIDTH, FG\_TRIGGER\_PULSEFORMGEN3\_WIDTH

Set the signal width, i.e. the active time of the output signal. The unit of this parameter is  $\mu\text{s}$ .

Table 7.31. Parameter properties of FG\_TRIGGER\_PULSEFORMGEN0\_WIDTH

Property	Value
Name	FG_TRIGGER_PULSEFORMGEN0_WIDTH
Display Name	Trigger Pulse Form Generator0 Width
Type	Double
Access policy	Read/Write/Change
Storage policy	Persistent
Allowed values	<b>Minimum</b> 0.0032 <b>Maximum</b> 6.8E7 <b>Stepsize</b> 0.0032
Default value	4.0
Unit of measure	$\mu\text{s}$

Example 7.30. Usage of FG\_TRIGGER\_PULSEFORMGEN0\_WIDTH

```

int result = 0;
double value = 4.0;
const enum FgParamTypes type = FG_PARAM_TYPE_DOUBLE;

if ((result = Fg_setParameterWithType(fg, FG_TRIGGER_PULSEFORMGEN0_WIDTH, &value, 0, type)) < 0) {
    /* error handling */
}

if ((result = Fg_getParameterWithType(fg, FG_TRIGGER_PULSEFORMGEN0_WIDTH, &value, 0, type)) < 0) {
    /* error handling */
}

```

#### 7.5.8. Pulse Form Generator 1

The settings for pulse form generator 1 are equal to those of pulse form generator 0. Please read Section 7.5.7, 'Pulse Form Generator 0' for a detailed description.

#### 7.5.9. Pulse Form Generator 2

The settings for pulse form generator 2 are equal to those of pulse form generator 0. Please read Section 7.5.7, 'Pulse Form Generator 0' for a detailed description.

### 7.5.10. Pulse Form Generator 3

The settings for pulse form generator 3 are equal to those of pulse form generator 0. Please read Section 7.5.7, 'Pulse Form Generator 0' for a detailed description.

### 7.5.11. Camera Out Signal Mapping

The camera interface of the imaFlex CXP-12 Penta is equipped with a trigger output channel to trigger the camera.

Moreover, eight general purpose outputs (GPOs) and, in addition, 4 front GPOs to the camera exist. To identify the required signals and their mapping, consult the vendor's manual of your camera.

The trigger system of this applet provides several possibilities of mapping pulse sources to the camera channels:

- Pulse form generators 0 to 3

The pulse form generators are the main output sources of the trigger system. You can map either the start or the end of the signals to the CXP camera port. If your camera runs in **Timed** mode with external CXP trigger, you only need to send the start signal, usually on CXP LinkTrigger0. If your camera runs in **TriggerControlled** mode, you need to send the start of exposure signal on CXP LinkTrigger0 and the end of exposure signal on CXP LinkTrigger1.

- If you don't need to send any pulses on CXP LinkTrigger, set *FG\_TRIGGERCAMERA\_SOURCE\_CXP0* to **GND**.
- The input bypass

The frame grabber trigger system ignores the signal length of the input signals. If you want to directly bypass one of the input signals to a CXP LinkTrigger, you can select the input start or end signal of pulse, i.e. rising or falling edge.

#### 7.5.11.1. FG\_TRIGGERCAMERA\_SOURCE\_CXP0

Table 7.32. Parameter properties of FG\_TRIGGERCAMERA\_SOURCE\_CXP0

Property	Value																																																																																		
Name	FG_TRIGGERCAMERA_SOURCE_CXP0																																																																																		
Display Name	CXP Link Trigger 0 Source																																																																																		
Type	Enumeration																																																																																		
Access policy	Read/Write/Change																																																																																		
Storage policy	Persistent																																																																																		
Allowed values	<table border="0"> <tr> <td>GND</td> <td>GND</td> </tr> <tr> <td>CAM_A_PULSEGEN0_RISING</td> <td>Cam A Pulse Generator 0 Rising</td> </tr> <tr> <td>CAM_A_PULSEGEN1_RISING</td> <td>Cam A Pulse Generator 1 Rising</td> </tr> <tr> <td>CAM_A_PULSEGEN2_RISING</td> <td>Cam A Pulse Generator 2 Rising</td> </tr> <tr> <td>CAM_A_PULSEGEN3_RISING</td> <td>Cam A Pulse Generator 3 Rising</td> </tr> <tr> <td>CAM_A_PULSEGEN0_FALLING</td> <td>Cam A Pulse Generator 0 Falling</td> </tr> <tr> <td>CAM_A_PULSEGEN1_FALLING</td> <td>Cam A Pulse Generator 1 Falling</td> </tr> <tr> <td>CAM_A_PULSEGEN2_FALLING</td> <td>Cam A Pulse Generator 2 Falling</td> </tr> <tr> <td>CAM_A_PULSEGEN3_FALLING</td> <td>Cam A Pulse Generator 3 Falling</td> </tr> <tr> <td>BYPASS_GPI_0_RISING</td> <td>Bypass GPI 0 Rising</td> </tr> <tr> <td>BYPASS_GPI_0_FALLING</td> <td>Bypass GPI 0 Falling</td> </tr> <tr> <td>BYPASS_GPI_1_RISING</td> <td>Bypass GPI 1 Rising</td> </tr> <tr> <td>BYPASS_GPI_1_FALLING</td> <td>Bypass GPI 1 Falling</td> </tr> <tr> <td>BYPASS_GPI_2_RISING</td> <td>Bypass GPI 2 Rising</td> </tr> <tr> <td>BYPASS_GPI_2_FALLING</td> <td>Bypass GPI 2 Falling</td> </tr> <tr> <td>BYPASS_GPI_3_RISING</td> <td>Bypass GPI 3 Rising</td> </tr> <tr> <td>BYPASS_GPI_3_FALLING</td> <td>Bypass GPI 3 Falling</td> </tr> <tr> <td>BYPASS_GPI_4_RISING</td> <td>Bypass GPI 4 Rising</td> </tr> <tr> <td>BYPASS_GPI_4_FALLING</td> <td>Bypass GPI 4 Falling</td> </tr> <tr> <td>BYPASS_GPI_5_RISING</td> <td>Bypass GPI 5 Rising</td> </tr> <tr> <td>BYPASS_GPI_5_FALLING</td> <td>Bypass GPI 5 Falling</td> </tr> <tr> <td>BYPASS_GPI_6_RISING</td> <td>Bypass GPI 6 Rising</td> </tr> <tr> <td>BYPASS_GPI_6_FALLING</td> <td>Bypass GPI 6 Falling</td> </tr> <tr> <td>BYPASS_GPI_7_RISING</td> <td>Bypass GPI 7 Rising</td> </tr> <tr> <td>BYPASS_GPI_7_FALLING</td> <td>Bypass GPI 7 Falling</td> </tr> <tr> <td>BYPASS_FRONT_GPI_0_RISING</td> <td>Bypass Front GPI 0 Rising</td> </tr> <tr> <td>BYPASS_FRONT_GPI_0_FALLING</td> <td>Bypass Front GPI 0 Falling</td> </tr> <tr> <td>BYPASS_FRONT_GPI_1_RISING</td> <td>Bypass Front GPI 1 Rising</td> </tr> <tr> <td>BYPASS_FRONT_GPI_1_FALLING</td> <td>Bypass Front GPI 1 Falling</td> </tr> <tr> <td>BYPASS_FRONT_GPI_2_RISING</td> <td>Bypass Front GPI 2 Rising</td> </tr> <tr> <td>BYPASS_FRONT_GPI_2_FALLING</td> <td>Bypass Front GPI 2 Falling</td> </tr> <tr> <td>BYPASS_FRONT_GPI_3_RISING</td> <td>Bypass Front GPI 3 Rising</td> </tr> <tr> <td>BYPASS_FRONT_GPI_3_FALLING</td> <td>Bypass Front GPI 3 Falling</td> </tr> <tr> <td>PULSEGEN0_RISING</td> <td>Pulse Generator 0 Rising</td> </tr> <tr> <td>PULSEGEN1_RISING</td> <td>Pulse Generator 1 Rising</td> </tr> <tr> <td>PULSEGEN2_RISING</td> <td>Pulse Generator 2 Rising</td> </tr> <tr> <td>PULSEGEN3_RISING</td> <td>Pulse Generator 3 Rising</td> </tr> <tr> <td>PULSEGEN0_FALLING</td> <td>Pulse Generator 0 Falling</td> </tr> <tr> <td>PULSEGEN1_FALLING</td> <td>Pulse Generator 1 Falling</td> </tr> <tr> <td>PULSEGEN2_FALLING</td> <td>Pulse Generator 2 Falling</td> </tr> <tr> <td>PULSEGEN3_FALLING</td> <td>Pulse Generator 3 Falling</td> </tr> </table>	GND	GND	CAM_A_PULSEGEN0_RISING	Cam A Pulse Generator 0 Rising	CAM_A_PULSEGEN1_RISING	Cam A Pulse Generator 1 Rising	CAM_A_PULSEGEN2_RISING	Cam A Pulse Generator 2 Rising	CAM_A_PULSEGEN3_RISING	Cam A Pulse Generator 3 Rising	CAM_A_PULSEGEN0_FALLING	Cam A Pulse Generator 0 Falling	CAM_A_PULSEGEN1_FALLING	Cam A Pulse Generator 1 Falling	CAM_A_PULSEGEN2_FALLING	Cam A Pulse Generator 2 Falling	CAM_A_PULSEGEN3_FALLING	Cam A Pulse Generator 3 Falling	BYPASS_GPI_0_RISING	Bypass GPI 0 Rising	BYPASS_GPI_0_FALLING	Bypass GPI 0 Falling	BYPASS_GPI_1_RISING	Bypass GPI 1 Rising	BYPASS_GPI_1_FALLING	Bypass GPI 1 Falling	BYPASS_GPI_2_RISING	Bypass GPI 2 Rising	BYPASS_GPI_2_FALLING	Bypass GPI 2 Falling	BYPASS_GPI_3_RISING	Bypass GPI 3 Rising	BYPASS_GPI_3_FALLING	Bypass GPI 3 Falling	BYPASS_GPI_4_RISING	Bypass GPI 4 Rising	BYPASS_GPI_4_FALLING	Bypass GPI 4 Falling	BYPASS_GPI_5_RISING	Bypass GPI 5 Rising	BYPASS_GPI_5_FALLING	Bypass GPI 5 Falling	BYPASS_GPI_6_RISING	Bypass GPI 6 Rising	BYPASS_GPI_6_FALLING	Bypass GPI 6 Falling	BYPASS_GPI_7_RISING	Bypass GPI 7 Rising	BYPASS_GPI_7_FALLING	Bypass GPI 7 Falling	BYPASS_FRONT_GPI_0_RISING	Bypass Front GPI 0 Rising	BYPASS_FRONT_GPI_0_FALLING	Bypass Front GPI 0 Falling	BYPASS_FRONT_GPI_1_RISING	Bypass Front GPI 1 Rising	BYPASS_FRONT_GPI_1_FALLING	Bypass Front GPI 1 Falling	BYPASS_FRONT_GPI_2_RISING	Bypass Front GPI 2 Rising	BYPASS_FRONT_GPI_2_FALLING	Bypass Front GPI 2 Falling	BYPASS_FRONT_GPI_3_RISING	Bypass Front GPI 3 Rising	BYPASS_FRONT_GPI_3_FALLING	Bypass Front GPI 3 Falling	PULSEGEN0_RISING	Pulse Generator 0 Rising	PULSEGEN1_RISING	Pulse Generator 1 Rising	PULSEGEN2_RISING	Pulse Generator 2 Rising	PULSEGEN3_RISING	Pulse Generator 3 Rising	PULSEGEN0_FALLING	Pulse Generator 0 Falling	PULSEGEN1_FALLING	Pulse Generator 1 Falling	PULSEGEN2_FALLING	Pulse Generator 2 Falling	PULSEGEN3_FALLING	Pulse Generator 3 Falling
GND	GND																																																																																		
CAM_A_PULSEGEN0_RISING	Cam A Pulse Generator 0 Rising																																																																																		
CAM_A_PULSEGEN1_RISING	Cam A Pulse Generator 1 Rising																																																																																		
CAM_A_PULSEGEN2_RISING	Cam A Pulse Generator 2 Rising																																																																																		
CAM_A_PULSEGEN3_RISING	Cam A Pulse Generator 3 Rising																																																																																		
CAM_A_PULSEGEN0_FALLING	Cam A Pulse Generator 0 Falling																																																																																		
CAM_A_PULSEGEN1_FALLING	Cam A Pulse Generator 1 Falling																																																																																		
CAM_A_PULSEGEN2_FALLING	Cam A Pulse Generator 2 Falling																																																																																		
CAM_A_PULSEGEN3_FALLING	Cam A Pulse Generator 3 Falling																																																																																		
BYPASS_GPI_0_RISING	Bypass GPI 0 Rising																																																																																		
BYPASS_GPI_0_FALLING	Bypass GPI 0 Falling																																																																																		
BYPASS_GPI_1_RISING	Bypass GPI 1 Rising																																																																																		
BYPASS_GPI_1_FALLING	Bypass GPI 1 Falling																																																																																		
BYPASS_GPI_2_RISING	Bypass GPI 2 Rising																																																																																		
BYPASS_GPI_2_FALLING	Bypass GPI 2 Falling																																																																																		
BYPASS_GPI_3_RISING	Bypass GPI 3 Rising																																																																																		
BYPASS_GPI_3_FALLING	Bypass GPI 3 Falling																																																																																		
BYPASS_GPI_4_RISING	Bypass GPI 4 Rising																																																																																		
BYPASS_GPI_4_FALLING	Bypass GPI 4 Falling																																																																																		
BYPASS_GPI_5_RISING	Bypass GPI 5 Rising																																																																																		
BYPASS_GPI_5_FALLING	Bypass GPI 5 Falling																																																																																		
BYPASS_GPI_6_RISING	Bypass GPI 6 Rising																																																																																		
BYPASS_GPI_6_FALLING	Bypass GPI 6 Falling																																																																																		
BYPASS_GPI_7_RISING	Bypass GPI 7 Rising																																																																																		
BYPASS_GPI_7_FALLING	Bypass GPI 7 Falling																																																																																		
BYPASS_FRONT_GPI_0_RISING	Bypass Front GPI 0 Rising																																																																																		
BYPASS_FRONT_GPI_0_FALLING	Bypass Front GPI 0 Falling																																																																																		
BYPASS_FRONT_GPI_1_RISING	Bypass Front GPI 1 Rising																																																																																		
BYPASS_FRONT_GPI_1_FALLING	Bypass Front GPI 1 Falling																																																																																		
BYPASS_FRONT_GPI_2_RISING	Bypass Front GPI 2 Rising																																																																																		
BYPASS_FRONT_GPI_2_FALLING	Bypass Front GPI 2 Falling																																																																																		
BYPASS_FRONT_GPI_3_RISING	Bypass Front GPI 3 Rising																																																																																		
BYPASS_FRONT_GPI_3_FALLING	Bypass Front GPI 3 Falling																																																																																		
PULSEGEN0_RISING	Pulse Generator 0 Rising																																																																																		
PULSEGEN1_RISING	Pulse Generator 1 Rising																																																																																		
PULSEGEN2_RISING	Pulse Generator 2 Rising																																																																																		
PULSEGEN3_RISING	Pulse Generator 3 Rising																																																																																		
PULSEGEN0_FALLING	Pulse Generator 0 Falling																																																																																		
PULSEGEN1_FALLING	Pulse Generator 1 Falling																																																																																		
PULSEGEN2_FALLING	Pulse Generator 2 Falling																																																																																		
PULSEGEN3_FALLING	Pulse Generator 3 Falling																																																																																		
Default value	PULSEGEN0_RISING																																																																																		

Example 7.31. Usage of FG\_TRIGGERCAMERA\_SOURCE\_CXP0

```
int result = 0;
```

```
int value = PULSEGEN0_RISING;
const enum FgParamTypes type = FG_PARAM_TYPE_INT32_T;

if ((result = Fg_setParameterWithType(fg, FG_TRIGGERCAMERA_SOURCE_CXP0, &value, 0, type)) < 0) {
    /* error handling */
}

if ((result = Fg_getParameterWithType(fg, FG_TRIGGERCAMERA_SOURCE_CXP0, &value, 0, type)) < 0) {
    /* error handling */
}
```

---

### 7.5.11.2. FG\_TRIGGERCAMERA\_SOURCE\_CXP1

Table 7.33. Parameter properties of FG\_TRIGGERCAMERA\_SOURCE\_CXP1

Property	Value																																																																																		
Name	<b>FG_TRIGGERCAMERA_SOURCE_CXP1</b>																																																																																		
Display Name	<b>CXP Link Trigger 1 Source</b>																																																																																		
Type	<b>Enumeration</b>																																																																																		
Access policy	<b>Read/Write/Change</b>																																																																																		
Storage policy	<b>Persistent</b>																																																																																		
Allowed values	<table border="0"> <tr> <td><b>GND</b></td> <td>GND</td> </tr> <tr> <td><b>CAM_A_PULSEGEN0_RISING</b></td> <td>Cam A Pulse Generator 0 Rising</td> </tr> <tr> <td><b>CAM_A_PULSEGEN1_RISING</b></td> <td>Cam A Pulse Generator 1 Rising</td> </tr> <tr> <td><b>CAM_A_PULSEGEN2_RISING</b></td> <td>Cam A Pulse Generator 2 Rising</td> </tr> <tr> <td><b>CAM_A_PULSEGEN3_RISING</b></td> <td>Cam A Pulse Generator 3 Rising</td> </tr> <tr> <td><b>CAM_A_PULSEGEN0_FALLING</b></td> <td>Cam A Pulse Generator 0 Falling</td> </tr> <tr> <td><b>CAM_A_PULSEGEN1_FALLING</b></td> <td>Cam A Pulse Generator 1 Falling</td> </tr> <tr> <td><b>CAM_A_PULSEGEN2_FALLING</b></td> <td>Cam A Pulse Generator 2 Falling</td> </tr> <tr> <td><b>CAM_A_PULSEGEN3_FALLING</b></td> <td>Cam A Pulse Generator 3 Falling</td> </tr> <tr> <td><b>BYPASS_GPI_0_RISING</b></td> <td>Bypass GPI 0 Rising</td> </tr> <tr> <td><b>BYPASS_GPI_0_FALLING</b></td> <td>Bypass GPI 0 Falling</td> </tr> <tr> <td><b>BYPASS_GPI_1_RISING</b></td> <td>Bypass GPI 1 Rising</td> </tr> <tr> <td><b>BYPASS_GPI_1_FALLING</b></td> <td>Bypass GPI 1 Falling</td> </tr> <tr> <td><b>BYPASS_GPI_2_RISING</b></td> <td>Bypass GPI 2 Rising</td> </tr> <tr> <td><b>BYPASS_GPI_2_FALLING</b></td> <td>Bypass GPI 2 Falling</td> </tr> <tr> <td><b>BYPASS_GPI_3_RISING</b></td> <td>Bypass GPI 3 Rising</td> </tr> <tr> <td><b>BYPASS_GPI_3_FALLING</b></td> <td>Bypass GPI 3 Falling</td> </tr> <tr> <td><b>BYPASS_GPI_4_RISING</b></td> <td>Bypass GPI 4 Rising</td> </tr> <tr> <td><b>BYPASS_GPI_4_FALLING</b></td> <td>Bypass GPI 4 Falling</td> </tr> <tr> <td><b>BYPASS_GPI_5_RISING</b></td> <td>Bypass GPI 5 Rising</td> </tr> <tr> <td><b>BYPASS_GPI_5_FALLING</b></td> <td>Bypass GPI 5 Falling</td> </tr> <tr> <td><b>BYPASS_GPI_6_RISING</b></td> <td>Bypass GPI 6 Rising</td> </tr> <tr> <td><b>BYPASS_GPI_6_FALLING</b></td> <td>Bypass GPI 6 Falling</td> </tr> <tr> <td><b>BYPASS_GPI_7_RISING</b></td> <td>Bypass GPI 7 Rising</td> </tr> <tr> <td><b>BYPASS_GPI_7_FALLING</b></td> <td>Bypass GPI 7 Falling</td> </tr> <tr> <td><b>BYPASS_FRONT_GPI_0_RISING</b></td> <td>Bypass Front GPI 0 Rising</td> </tr> <tr> <td><b>BYPASS_FRONT_GPI_0_FALLING</b></td> <td>Bypass Front GPI 0 Falling</td> </tr> <tr> <td><b>BYPASS_FRONT_GPI_1_RISING</b></td> <td>Bypass Front GPI 1 Rising</td> </tr> <tr> <td><b>BYPASS_FRONT_GPI_1_FALLING</b></td> <td>Bypass Front GPI 1 Falling</td> </tr> <tr> <td><b>BYPASS_FRONT_GPI_2_RISING</b></td> <td>Bypass Front GPI 2 Rising</td> </tr> <tr> <td><b>BYPASS_FRONT_GPI_2_FALLING</b></td> <td>Bypass Front GPI 2 Falling</td> </tr> <tr> <td><b>BYPASS_FRONT_GPI_3_RISING</b></td> <td>Bypass Front GPI 3 Rising</td> </tr> <tr> <td><b>BYPASS_FRONT_GPI_3_FALLING</b></td> <td>Bypass Front GPI 3 Falling</td> </tr> <tr> <td><b>PULSEGEN0_RISING</b></td> <td>Pulse Generator 0 Rising</td> </tr> <tr> <td><b>PULSEGEN1_RISING</b></td> <td>Pulse Generator 1 Rising</td> </tr> <tr> <td><b>PULSEGEN2_RISING</b></td> <td>Pulse Generator 2 Rising</td> </tr> <tr> <td><b>PULSEGEN3_RISING</b></td> <td>Pulse Generator 3 Rising</td> </tr> <tr> <td><b>PULSEGEN0_FALLING</b></td> <td>Pulse Generator 0 Falling</td> </tr> <tr> <td><b>PULSEGEN1_FALLING</b></td> <td>Pulse Generator 1 Falling</td> </tr> <tr> <td><b>PULSEGEN2_FALLING</b></td> <td>Pulse Generator 2 Falling</td> </tr> <tr> <td><b>PULSEGEN3_FALLING</b></td> <td>Pulse Generator 3 Falling</td> </tr> </table>	<b>GND</b>	GND	<b>CAM_A_PULSEGEN0_RISING</b>	Cam A Pulse Generator 0 Rising	<b>CAM_A_PULSEGEN1_RISING</b>	Cam A Pulse Generator 1 Rising	<b>CAM_A_PULSEGEN2_RISING</b>	Cam A Pulse Generator 2 Rising	<b>CAM_A_PULSEGEN3_RISING</b>	Cam A Pulse Generator 3 Rising	<b>CAM_A_PULSEGEN0_FALLING</b>	Cam A Pulse Generator 0 Falling	<b>CAM_A_PULSEGEN1_FALLING</b>	Cam A Pulse Generator 1 Falling	<b>CAM_A_PULSEGEN2_FALLING</b>	Cam A Pulse Generator 2 Falling	<b>CAM_A_PULSEGEN3_FALLING</b>	Cam A Pulse Generator 3 Falling	<b>BYPASS_GPI_0_RISING</b>	Bypass GPI 0 Rising	<b>BYPASS_GPI_0_FALLING</b>	Bypass GPI 0 Falling	<b>BYPASS_GPI_1_RISING</b>	Bypass GPI 1 Rising	<b>BYPASS_GPI_1_FALLING</b>	Bypass GPI 1 Falling	<b>BYPASS_GPI_2_RISING</b>	Bypass GPI 2 Rising	<b>BYPASS_GPI_2_FALLING</b>	Bypass GPI 2 Falling	<b>BYPASS_GPI_3_RISING</b>	Bypass GPI 3 Rising	<b>BYPASS_GPI_3_FALLING</b>	Bypass GPI 3 Falling	<b>BYPASS_GPI_4_RISING</b>	Bypass GPI 4 Rising	<b>BYPASS_GPI_4_FALLING</b>	Bypass GPI 4 Falling	<b>BYPASS_GPI_5_RISING</b>	Bypass GPI 5 Rising	<b>BYPASS_GPI_5_FALLING</b>	Bypass GPI 5 Falling	<b>BYPASS_GPI_6_RISING</b>	Bypass GPI 6 Rising	<b>BYPASS_GPI_6_FALLING</b>	Bypass GPI 6 Falling	<b>BYPASS_GPI_7_RISING</b>	Bypass GPI 7 Rising	<b>BYPASS_GPI_7_FALLING</b>	Bypass GPI 7 Falling	<b>BYPASS_FRONT_GPI_0_RISING</b>	Bypass Front GPI 0 Rising	<b>BYPASS_FRONT_GPI_0_FALLING</b>	Bypass Front GPI 0 Falling	<b>BYPASS_FRONT_GPI_1_RISING</b>	Bypass Front GPI 1 Rising	<b>BYPASS_FRONT_GPI_1_FALLING</b>	Bypass Front GPI 1 Falling	<b>BYPASS_FRONT_GPI_2_RISING</b>	Bypass Front GPI 2 Rising	<b>BYPASS_FRONT_GPI_2_FALLING</b>	Bypass Front GPI 2 Falling	<b>BYPASS_FRONT_GPI_3_RISING</b>	Bypass Front GPI 3 Rising	<b>BYPASS_FRONT_GPI_3_FALLING</b>	Bypass Front GPI 3 Falling	<b>PULSEGEN0_RISING</b>	Pulse Generator 0 Rising	<b>PULSEGEN1_RISING</b>	Pulse Generator 1 Rising	<b>PULSEGEN2_RISING</b>	Pulse Generator 2 Rising	<b>PULSEGEN3_RISING</b>	Pulse Generator 3 Rising	<b>PULSEGEN0_FALLING</b>	Pulse Generator 0 Falling	<b>PULSEGEN1_FALLING</b>	Pulse Generator 1 Falling	<b>PULSEGEN2_FALLING</b>	Pulse Generator 2 Falling	<b>PULSEGEN3_FALLING</b>	Pulse Generator 3 Falling
<b>GND</b>	GND																																																																																		
<b>CAM_A_PULSEGEN0_RISING</b>	Cam A Pulse Generator 0 Rising																																																																																		
<b>CAM_A_PULSEGEN1_RISING</b>	Cam A Pulse Generator 1 Rising																																																																																		
<b>CAM_A_PULSEGEN2_RISING</b>	Cam A Pulse Generator 2 Rising																																																																																		
<b>CAM_A_PULSEGEN3_RISING</b>	Cam A Pulse Generator 3 Rising																																																																																		
<b>CAM_A_PULSEGEN0_FALLING</b>	Cam A Pulse Generator 0 Falling																																																																																		
<b>CAM_A_PULSEGEN1_FALLING</b>	Cam A Pulse Generator 1 Falling																																																																																		
<b>CAM_A_PULSEGEN2_FALLING</b>	Cam A Pulse Generator 2 Falling																																																																																		
<b>CAM_A_PULSEGEN3_FALLING</b>	Cam A Pulse Generator 3 Falling																																																																																		
<b>BYPASS_GPI_0_RISING</b>	Bypass GPI 0 Rising																																																																																		
<b>BYPASS_GPI_0_FALLING</b>	Bypass GPI 0 Falling																																																																																		
<b>BYPASS_GPI_1_RISING</b>	Bypass GPI 1 Rising																																																																																		
<b>BYPASS_GPI_1_FALLING</b>	Bypass GPI 1 Falling																																																																																		
<b>BYPASS_GPI_2_RISING</b>	Bypass GPI 2 Rising																																																																																		
<b>BYPASS_GPI_2_FALLING</b>	Bypass GPI 2 Falling																																																																																		
<b>BYPASS_GPI_3_RISING</b>	Bypass GPI 3 Rising																																																																																		
<b>BYPASS_GPI_3_FALLING</b>	Bypass GPI 3 Falling																																																																																		
<b>BYPASS_GPI_4_RISING</b>	Bypass GPI 4 Rising																																																																																		
<b>BYPASS_GPI_4_FALLING</b>	Bypass GPI 4 Falling																																																																																		
<b>BYPASS_GPI_5_RISING</b>	Bypass GPI 5 Rising																																																																																		
<b>BYPASS_GPI_5_FALLING</b>	Bypass GPI 5 Falling																																																																																		
<b>BYPASS_GPI_6_RISING</b>	Bypass GPI 6 Rising																																																																																		
<b>BYPASS_GPI_6_FALLING</b>	Bypass GPI 6 Falling																																																																																		
<b>BYPASS_GPI_7_RISING</b>	Bypass GPI 7 Rising																																																																																		
<b>BYPASS_GPI_7_FALLING</b>	Bypass GPI 7 Falling																																																																																		
<b>BYPASS_FRONT_GPI_0_RISING</b>	Bypass Front GPI 0 Rising																																																																																		
<b>BYPASS_FRONT_GPI_0_FALLING</b>	Bypass Front GPI 0 Falling																																																																																		
<b>BYPASS_FRONT_GPI_1_RISING</b>	Bypass Front GPI 1 Rising																																																																																		
<b>BYPASS_FRONT_GPI_1_FALLING</b>	Bypass Front GPI 1 Falling																																																																																		
<b>BYPASS_FRONT_GPI_2_RISING</b>	Bypass Front GPI 2 Rising																																																																																		
<b>BYPASS_FRONT_GPI_2_FALLING</b>	Bypass Front GPI 2 Falling																																																																																		
<b>BYPASS_FRONT_GPI_3_RISING</b>	Bypass Front GPI 3 Rising																																																																																		
<b>BYPASS_FRONT_GPI_3_FALLING</b>	Bypass Front GPI 3 Falling																																																																																		
<b>PULSEGEN0_RISING</b>	Pulse Generator 0 Rising																																																																																		
<b>PULSEGEN1_RISING</b>	Pulse Generator 1 Rising																																																																																		
<b>PULSEGEN2_RISING</b>	Pulse Generator 2 Rising																																																																																		
<b>PULSEGEN3_RISING</b>	Pulse Generator 3 Rising																																																																																		
<b>PULSEGEN0_FALLING</b>	Pulse Generator 0 Falling																																																																																		
<b>PULSEGEN1_FALLING</b>	Pulse Generator 1 Falling																																																																																		
<b>PULSEGEN2_FALLING</b>	Pulse Generator 2 Falling																																																																																		
<b>PULSEGEN3_FALLING</b>	Pulse Generator 3 Falling																																																																																		
Default value	<b>PULSEGEN0_FALLING</b>																																																																																		

Example 7.32. Usage of FG\_TRIGGERCAMERA\_SOURCE\_CXP1

```
int result = 0;
```



```
int value = PULSEGEN0_FALLING;
const enum FgParamTypes type = FG_PARAM_TYPE_INT32_T;

if ((result = Fg_setParameterWithType(fg, FG_TRIGGERCAMERA_SOURCE_CXP1, &value, 0, type)) < 0) {
    /* error handling */
}

if ((result = Fg_getParameterWithType(fg, FG_TRIGGERCAMERA_SOURCE_CXP1, &value, 0, type)) < 0) {
    /* error handling */
}
```

---

### 7.5.11.3. FG\_TRIGGERCAMERA\_SOURCE\_CXP2

Table 7.34. Parameter properties of FG\_TRIGGERCAMERA\_SOURCE\_CXP2

Property	Value																																																																																		
Name	FG_TRIGGERCAMERA_SOURCE_CXP2																																																																																		
Display Name	CXP Link Trigger 2 Source																																																																																		
Type	Enumeration																																																																																		
Access policy	Read/Write/Change																																																																																		
Storage policy	Persistent																																																																																		
Allowed values	<table border="0"> <tr> <td>GND</td> <td>GND</td> </tr> <tr> <td>CAM_A_PULSEGEN0_RISING</td> <td>Cam A Pulse Generator 0 Rising</td> </tr> <tr> <td>CAM_A_PULSEGEN1_RISING</td> <td>Cam A Pulse Generator 1 Rising</td> </tr> <tr> <td>CAM_A_PULSEGEN2_RISING</td> <td>Cam A Pulse Generator 2 Rising</td> </tr> <tr> <td>CAM_A_PULSEGEN3_RISING</td> <td>Cam A Pulse Generator 3 Rising</td> </tr> <tr> <td>CAM_A_PULSEGEN0_FALLING</td> <td>Cam A Pulse Generator 0 Falling</td> </tr> <tr> <td>CAM_A_PULSEGEN1_FALLING</td> <td>Cam A Pulse Generator 1 Falling</td> </tr> <tr> <td>CAM_A_PULSEGEN2_FALLING</td> <td>Cam A Pulse Generator 2 Falling</td> </tr> <tr> <td>CAM_A_PULSEGEN3_FALLING</td> <td>Cam A Pulse Generator 3 Falling</td> </tr> <tr> <td>BYPASS_GPI_0_RISING</td> <td>Bypass GPI 0 Rising</td> </tr> <tr> <td>BYPASS_GPI_0_FALLING</td> <td>Bypass GPI 0 Falling</td> </tr> <tr> <td>BYPASS_GPI_1_RISING</td> <td>Bypass GPI 1 Rising</td> </tr> <tr> <td>BYPASS_GPI_1_FALLING</td> <td>Bypass GPI 1 Falling</td> </tr> <tr> <td>BYPASS_GPI_2_RISING</td> <td>Bypass GPI 2 Rising</td> </tr> <tr> <td>BYPASS_GPI_2_FALLING</td> <td>Bypass GPI 2 Falling</td> </tr> <tr> <td>BYPASS_GPI_3_RISING</td> <td>Bypass GPI 3 Rising</td> </tr> <tr> <td>BYPASS_GPI_3_FALLING</td> <td>Bypass GPI 3 Falling</td> </tr> <tr> <td>BYPASS_GPI_4_RISING</td> <td>Bypass GPI 4 Rising</td> </tr> <tr> <td>BYPASS_GPI_4_FALLING</td> <td>Bypass GPI 4 Falling</td> </tr> <tr> <td>BYPASS_GPI_5_RISING</td> <td>Bypass GPI 5 Rising</td> </tr> <tr> <td>BYPASS_GPI_5_FALLING</td> <td>Bypass GPI 5 Falling</td> </tr> <tr> <td>BYPASS_GPI_6_RISING</td> <td>Bypass GPI 6 Rising</td> </tr> <tr> <td>BYPASS_GPI_6_FALLING</td> <td>Bypass GPI 6 Falling</td> </tr> <tr> <td>BYPASS_GPI_7_RISING</td> <td>Bypass GPI 7 Rising</td> </tr> <tr> <td>BYPASS_GPI_7_FALLING</td> <td>Bypass GPI 7 Falling</td> </tr> <tr> <td>BYPASS_FRONT_GPI_0_RISING</td> <td>Bypass Front GPI 0 Rising</td> </tr> <tr> <td>BYPASS_FRONT_GPI_0_FALLING</td> <td>Bypass Front GPI 0 Falling</td> </tr> <tr> <td>BYPASS_FRONT_GPI_1_RISING</td> <td>Bypass Front GPI 1 Rising</td> </tr> <tr> <td>BYPASS_FRONT_GPI_1_FALLING</td> <td>Bypass Front GPI 1 Falling</td> </tr> <tr> <td>BYPASS_FRONT_GPI_2_RISING</td> <td>Bypass Front GPI 2 Rising</td> </tr> <tr> <td>BYPASS_FRONT_GPI_2_FALLING</td> <td>Bypass Front GPI 2 Falling</td> </tr> <tr> <td>BYPASS_FRONT_GPI_3_RISING</td> <td>Bypass Front GPI 3 Rising</td> </tr> <tr> <td>BYPASS_FRONT_GPI_3_FALLING</td> <td>Bypass Front GPI 3 Falling</td> </tr> <tr> <td>PULSEGEN0_RISING</td> <td>Pulse Generator 0 Rising</td> </tr> <tr> <td>PULSEGEN1_RISING</td> <td>Pulse Generator 1 Rising</td> </tr> <tr> <td>PULSEGEN2_RISING</td> <td>Pulse Generator 2 Rising</td> </tr> <tr> <td>PULSEGEN3_RISING</td> <td>Pulse Generator 3 Rising</td> </tr> <tr> <td>PULSEGEN0_FALLING</td> <td>Pulse Generator 0 Falling</td> </tr> <tr> <td>PULSEGEN1_FALLING</td> <td>Pulse Generator 1 Falling</td> </tr> <tr> <td>PULSEGEN2_FALLING</td> <td>Pulse Generator 2 Falling</td> </tr> <tr> <td>PULSEGEN3_FALLING</td> <td>Pulse Generator 3 Falling</td> </tr> </table>	GND	GND	CAM_A_PULSEGEN0_RISING	Cam A Pulse Generator 0 Rising	CAM_A_PULSEGEN1_RISING	Cam A Pulse Generator 1 Rising	CAM_A_PULSEGEN2_RISING	Cam A Pulse Generator 2 Rising	CAM_A_PULSEGEN3_RISING	Cam A Pulse Generator 3 Rising	CAM_A_PULSEGEN0_FALLING	Cam A Pulse Generator 0 Falling	CAM_A_PULSEGEN1_FALLING	Cam A Pulse Generator 1 Falling	CAM_A_PULSEGEN2_FALLING	Cam A Pulse Generator 2 Falling	CAM_A_PULSEGEN3_FALLING	Cam A Pulse Generator 3 Falling	BYPASS_GPI_0_RISING	Bypass GPI 0 Rising	BYPASS_GPI_0_FALLING	Bypass GPI 0 Falling	BYPASS_GPI_1_RISING	Bypass GPI 1 Rising	BYPASS_GPI_1_FALLING	Bypass GPI 1 Falling	BYPASS_GPI_2_RISING	Bypass GPI 2 Rising	BYPASS_GPI_2_FALLING	Bypass GPI 2 Falling	BYPASS_GPI_3_RISING	Bypass GPI 3 Rising	BYPASS_GPI_3_FALLING	Bypass GPI 3 Falling	BYPASS_GPI_4_RISING	Bypass GPI 4 Rising	BYPASS_GPI_4_FALLING	Bypass GPI 4 Falling	BYPASS_GPI_5_RISING	Bypass GPI 5 Rising	BYPASS_GPI_5_FALLING	Bypass GPI 5 Falling	BYPASS_GPI_6_RISING	Bypass GPI 6 Rising	BYPASS_GPI_6_FALLING	Bypass GPI 6 Falling	BYPASS_GPI_7_RISING	Bypass GPI 7 Rising	BYPASS_GPI_7_FALLING	Bypass GPI 7 Falling	BYPASS_FRONT_GPI_0_RISING	Bypass Front GPI 0 Rising	BYPASS_FRONT_GPI_0_FALLING	Bypass Front GPI 0 Falling	BYPASS_FRONT_GPI_1_RISING	Bypass Front GPI 1 Rising	BYPASS_FRONT_GPI_1_FALLING	Bypass Front GPI 1 Falling	BYPASS_FRONT_GPI_2_RISING	Bypass Front GPI 2 Rising	BYPASS_FRONT_GPI_2_FALLING	Bypass Front GPI 2 Falling	BYPASS_FRONT_GPI_3_RISING	Bypass Front GPI 3 Rising	BYPASS_FRONT_GPI_3_FALLING	Bypass Front GPI 3 Falling	PULSEGEN0_RISING	Pulse Generator 0 Rising	PULSEGEN1_RISING	Pulse Generator 1 Rising	PULSEGEN2_RISING	Pulse Generator 2 Rising	PULSEGEN3_RISING	Pulse Generator 3 Rising	PULSEGEN0_FALLING	Pulse Generator 0 Falling	PULSEGEN1_FALLING	Pulse Generator 1 Falling	PULSEGEN2_FALLING	Pulse Generator 2 Falling	PULSEGEN3_FALLING	Pulse Generator 3 Falling
GND	GND																																																																																		
CAM_A_PULSEGEN0_RISING	Cam A Pulse Generator 0 Rising																																																																																		
CAM_A_PULSEGEN1_RISING	Cam A Pulse Generator 1 Rising																																																																																		
CAM_A_PULSEGEN2_RISING	Cam A Pulse Generator 2 Rising																																																																																		
CAM_A_PULSEGEN3_RISING	Cam A Pulse Generator 3 Rising																																																																																		
CAM_A_PULSEGEN0_FALLING	Cam A Pulse Generator 0 Falling																																																																																		
CAM_A_PULSEGEN1_FALLING	Cam A Pulse Generator 1 Falling																																																																																		
CAM_A_PULSEGEN2_FALLING	Cam A Pulse Generator 2 Falling																																																																																		
CAM_A_PULSEGEN3_FALLING	Cam A Pulse Generator 3 Falling																																																																																		
BYPASS_GPI_0_RISING	Bypass GPI 0 Rising																																																																																		
BYPASS_GPI_0_FALLING	Bypass GPI 0 Falling																																																																																		
BYPASS_GPI_1_RISING	Bypass GPI 1 Rising																																																																																		
BYPASS_GPI_1_FALLING	Bypass GPI 1 Falling																																																																																		
BYPASS_GPI_2_RISING	Bypass GPI 2 Rising																																																																																		
BYPASS_GPI_2_FALLING	Bypass GPI 2 Falling																																																																																		
BYPASS_GPI_3_RISING	Bypass GPI 3 Rising																																																																																		
BYPASS_GPI_3_FALLING	Bypass GPI 3 Falling																																																																																		
BYPASS_GPI_4_RISING	Bypass GPI 4 Rising																																																																																		
BYPASS_GPI_4_FALLING	Bypass GPI 4 Falling																																																																																		
BYPASS_GPI_5_RISING	Bypass GPI 5 Rising																																																																																		
BYPASS_GPI_5_FALLING	Bypass GPI 5 Falling																																																																																		
BYPASS_GPI_6_RISING	Bypass GPI 6 Rising																																																																																		
BYPASS_GPI_6_FALLING	Bypass GPI 6 Falling																																																																																		
BYPASS_GPI_7_RISING	Bypass GPI 7 Rising																																																																																		
BYPASS_GPI_7_FALLING	Bypass GPI 7 Falling																																																																																		
BYPASS_FRONT_GPI_0_RISING	Bypass Front GPI 0 Rising																																																																																		
BYPASS_FRONT_GPI_0_FALLING	Bypass Front GPI 0 Falling																																																																																		
BYPASS_FRONT_GPI_1_RISING	Bypass Front GPI 1 Rising																																																																																		
BYPASS_FRONT_GPI_1_FALLING	Bypass Front GPI 1 Falling																																																																																		
BYPASS_FRONT_GPI_2_RISING	Bypass Front GPI 2 Rising																																																																																		
BYPASS_FRONT_GPI_2_FALLING	Bypass Front GPI 2 Falling																																																																																		
BYPASS_FRONT_GPI_3_RISING	Bypass Front GPI 3 Rising																																																																																		
BYPASS_FRONT_GPI_3_FALLING	Bypass Front GPI 3 Falling																																																																																		
PULSEGEN0_RISING	Pulse Generator 0 Rising																																																																																		
PULSEGEN1_RISING	Pulse Generator 1 Rising																																																																																		
PULSEGEN2_RISING	Pulse Generator 2 Rising																																																																																		
PULSEGEN3_RISING	Pulse Generator 3 Rising																																																																																		
PULSEGEN0_FALLING	Pulse Generator 0 Falling																																																																																		
PULSEGEN1_FALLING	Pulse Generator 1 Falling																																																																																		
PULSEGEN2_FALLING	Pulse Generator 2 Falling																																																																																		
PULSEGEN3_FALLING	Pulse Generator 3 Falling																																																																																		
Default value	GND																																																																																		

Example 7.33. Usage of FG\_TRIGGERCAMERA\_SOURCE\_CXP2

```
int result = 0;
```

```
int value = GND;
const enum FgParamTypes type = FG_PARAM_TYPE_INT32_T;

if ((result = Fg_setParameterWithType(fg, FG_TRIGGERCAMERA_SOURCE_CXP2, &value, 0, type)) < 0) {
    /* error handling */
}

if ((result = Fg_getParameterWithType(fg, FG_TRIGGERCAMERA_SOURCE_CXP2, &value, 0, type)) < 0) {
    /* error handling */
}
```

---

### 7.5.11.4. FG\_TRIGGERCAMERA\_SOURCE\_CXP3

Table 7.35. Parameter properties of FG\_TRIGGERCAMERA\_SOURCE\_CXP3

Property	Value																																																																																		
Name	FG_TRIGGERCAMERA_SOURCE_CXP3																																																																																		
Display Name	CXP Link Trigger 3 Source																																																																																		
Type	Enumeration																																																																																		
Access policy	Read/Write/Change																																																																																		
Storage policy	Persistent																																																																																		
Allowed values	<table border="0"> <tr> <td>GND</td> <td>GND</td> </tr> <tr> <td>CAM_A_PULSEGEN0_RISING</td> <td>Cam A Pulse Generator 0 Rising</td> </tr> <tr> <td>CAM_A_PULSEGEN1_RISING</td> <td>Cam A Pulse Generator 1 Rising</td> </tr> <tr> <td>CAM_A_PULSEGEN2_RISING</td> <td>Cam A Pulse Generator 2 Rising</td> </tr> <tr> <td>CAM_A_PULSEGEN3_RISING</td> <td>Cam A Pulse Generator 3 Rising</td> </tr> <tr> <td>CAM_A_PULSEGEN0_FALLING</td> <td>Cam A Pulse Generator 0 Falling</td> </tr> <tr> <td>CAM_A_PULSEGEN1_FALLING</td> <td>Cam A Pulse Generator 1 Falling</td> </tr> <tr> <td>CAM_A_PULSEGEN2_FALLING</td> <td>Cam A Pulse Generator 2 Falling</td> </tr> <tr> <td>CAM_A_PULSEGEN3_FALLING</td> <td>Cam A Pulse Generator 3 Falling</td> </tr> <tr> <td>BYPASS_GPI_0_RISING</td> <td>Bypass GPI 0 Rising</td> </tr> <tr> <td>BYPASS_GPI_0_FALLING</td> <td>Bypass GPI 0 Falling</td> </tr> <tr> <td>BYPASS_GPI_1_RISING</td> <td>Bypass GPI 1 Rising</td> </tr> <tr> <td>BYPASS_GPI_1_FALLING</td> <td>Bypass GPI 1 Falling</td> </tr> <tr> <td>BYPASS_GPI_2_RISING</td> <td>Bypass GPI 2 Rising</td> </tr> <tr> <td>BYPASS_GPI_2_FALLING</td> <td>Bypass GPI 2 Falling</td> </tr> <tr> <td>BYPASS_GPI_3_RISING</td> <td>Bypass GPI 3 Rising</td> </tr> <tr> <td>BYPASS_GPI_3_FALLING</td> <td>Bypass GPI 3 Falling</td> </tr> <tr> <td>BYPASS_GPI_4_RISING</td> <td>Bypass GPI 4 Rising</td> </tr> <tr> <td>BYPASS_GPI_4_FALLING</td> <td>Bypass GPI 4 Falling</td> </tr> <tr> <td>BYPASS_GPI_5_RISING</td> <td>Bypass GPI 5 Rising</td> </tr> <tr> <td>BYPASS_GPI_5_FALLING</td> <td>Bypass GPI 5 Falling</td> </tr> <tr> <td>BYPASS_GPI_6_RISING</td> <td>Bypass GPI 6 Rising</td> </tr> <tr> <td>BYPASS_GPI_6_FALLING</td> <td>Bypass GPI 6 Falling</td> </tr> <tr> <td>BYPASS_GPI_7_RISING</td> <td>Bypass GPI 7 Rising</td> </tr> <tr> <td>BYPASS_GPI_7_FALLING</td> <td>Bypass GPI 7 Falling</td> </tr> <tr> <td>BYPASS_FRONT_GPI_0_RISING</td> <td>Bypass Front GPI 0 Rising</td> </tr> <tr> <td>BYPASS_FRONT_GPI_0_FALLING</td> <td>Bypass Front GPI 0 Falling</td> </tr> <tr> <td>BYPASS_FRONT_GPI_1_RISING</td> <td>Bypass Front GPI 1 Rising</td> </tr> <tr> <td>BYPASS_FRONT_GPI_1_FALLING</td> <td>Bypass Front GPI 1 Falling</td> </tr> <tr> <td>BYPASS_FRONT_GPI_2_RISING</td> <td>Bypass Front GPI 2 Rising</td> </tr> <tr> <td>BYPASS_FRONT_GPI_2_FALLING</td> <td>Bypass Front GPI 2 Falling</td> </tr> <tr> <td>BYPASS_FRONT_GPI_3_RISING</td> <td>Bypass Front GPI 3 Rising</td> </tr> <tr> <td>BYPASS_FRONT_GPI_3_FALLING</td> <td>Bypass Front GPI 3 Falling</td> </tr> <tr> <td>PULSEGEN0_RISING</td> <td>Pulse Generator 0 Rising</td> </tr> <tr> <td>PULSEGEN1_RISING</td> <td>Pulse Generator 1 Rising</td> </tr> <tr> <td>PULSEGEN2_RISING</td> <td>Pulse Generator 2 Rising</td> </tr> <tr> <td>PULSEGEN3_RISING</td> <td>Pulse Generator 3 Rising</td> </tr> <tr> <td>PULSEGEN0_FALLING</td> <td>Pulse Generator 0 Falling</td> </tr> <tr> <td>PULSEGEN1_FALLING</td> <td>Pulse Generator 1 Falling</td> </tr> <tr> <td>PULSEGEN2_FALLING</td> <td>Pulse Generator 2 Falling</td> </tr> <tr> <td>PULSEGEN3_FALLING</td> <td>Pulse Generator 3 Falling</td> </tr> </table>	GND	GND	CAM_A_PULSEGEN0_RISING	Cam A Pulse Generator 0 Rising	CAM_A_PULSEGEN1_RISING	Cam A Pulse Generator 1 Rising	CAM_A_PULSEGEN2_RISING	Cam A Pulse Generator 2 Rising	CAM_A_PULSEGEN3_RISING	Cam A Pulse Generator 3 Rising	CAM_A_PULSEGEN0_FALLING	Cam A Pulse Generator 0 Falling	CAM_A_PULSEGEN1_FALLING	Cam A Pulse Generator 1 Falling	CAM_A_PULSEGEN2_FALLING	Cam A Pulse Generator 2 Falling	CAM_A_PULSEGEN3_FALLING	Cam A Pulse Generator 3 Falling	BYPASS_GPI_0_RISING	Bypass GPI 0 Rising	BYPASS_GPI_0_FALLING	Bypass GPI 0 Falling	BYPASS_GPI_1_RISING	Bypass GPI 1 Rising	BYPASS_GPI_1_FALLING	Bypass GPI 1 Falling	BYPASS_GPI_2_RISING	Bypass GPI 2 Rising	BYPASS_GPI_2_FALLING	Bypass GPI 2 Falling	BYPASS_GPI_3_RISING	Bypass GPI 3 Rising	BYPASS_GPI_3_FALLING	Bypass GPI 3 Falling	BYPASS_GPI_4_RISING	Bypass GPI 4 Rising	BYPASS_GPI_4_FALLING	Bypass GPI 4 Falling	BYPASS_GPI_5_RISING	Bypass GPI 5 Rising	BYPASS_GPI_5_FALLING	Bypass GPI 5 Falling	BYPASS_GPI_6_RISING	Bypass GPI 6 Rising	BYPASS_GPI_6_FALLING	Bypass GPI 6 Falling	BYPASS_GPI_7_RISING	Bypass GPI 7 Rising	BYPASS_GPI_7_FALLING	Bypass GPI 7 Falling	BYPASS_FRONT_GPI_0_RISING	Bypass Front GPI 0 Rising	BYPASS_FRONT_GPI_0_FALLING	Bypass Front GPI 0 Falling	BYPASS_FRONT_GPI_1_RISING	Bypass Front GPI 1 Rising	BYPASS_FRONT_GPI_1_FALLING	Bypass Front GPI 1 Falling	BYPASS_FRONT_GPI_2_RISING	Bypass Front GPI 2 Rising	BYPASS_FRONT_GPI_2_FALLING	Bypass Front GPI 2 Falling	BYPASS_FRONT_GPI_3_RISING	Bypass Front GPI 3 Rising	BYPASS_FRONT_GPI_3_FALLING	Bypass Front GPI 3 Falling	PULSEGEN0_RISING	Pulse Generator 0 Rising	PULSEGEN1_RISING	Pulse Generator 1 Rising	PULSEGEN2_RISING	Pulse Generator 2 Rising	PULSEGEN3_RISING	Pulse Generator 3 Rising	PULSEGEN0_FALLING	Pulse Generator 0 Falling	PULSEGEN1_FALLING	Pulse Generator 1 Falling	PULSEGEN2_FALLING	Pulse Generator 2 Falling	PULSEGEN3_FALLING	Pulse Generator 3 Falling
GND	GND																																																																																		
CAM_A_PULSEGEN0_RISING	Cam A Pulse Generator 0 Rising																																																																																		
CAM_A_PULSEGEN1_RISING	Cam A Pulse Generator 1 Rising																																																																																		
CAM_A_PULSEGEN2_RISING	Cam A Pulse Generator 2 Rising																																																																																		
CAM_A_PULSEGEN3_RISING	Cam A Pulse Generator 3 Rising																																																																																		
CAM_A_PULSEGEN0_FALLING	Cam A Pulse Generator 0 Falling																																																																																		
CAM_A_PULSEGEN1_FALLING	Cam A Pulse Generator 1 Falling																																																																																		
CAM_A_PULSEGEN2_FALLING	Cam A Pulse Generator 2 Falling																																																																																		
CAM_A_PULSEGEN3_FALLING	Cam A Pulse Generator 3 Falling																																																																																		
BYPASS_GPI_0_RISING	Bypass GPI 0 Rising																																																																																		
BYPASS_GPI_0_FALLING	Bypass GPI 0 Falling																																																																																		
BYPASS_GPI_1_RISING	Bypass GPI 1 Rising																																																																																		
BYPASS_GPI_1_FALLING	Bypass GPI 1 Falling																																																																																		
BYPASS_GPI_2_RISING	Bypass GPI 2 Rising																																																																																		
BYPASS_GPI_2_FALLING	Bypass GPI 2 Falling																																																																																		
BYPASS_GPI_3_RISING	Bypass GPI 3 Rising																																																																																		
BYPASS_GPI_3_FALLING	Bypass GPI 3 Falling																																																																																		
BYPASS_GPI_4_RISING	Bypass GPI 4 Rising																																																																																		
BYPASS_GPI_4_FALLING	Bypass GPI 4 Falling																																																																																		
BYPASS_GPI_5_RISING	Bypass GPI 5 Rising																																																																																		
BYPASS_GPI_5_FALLING	Bypass GPI 5 Falling																																																																																		
BYPASS_GPI_6_RISING	Bypass GPI 6 Rising																																																																																		
BYPASS_GPI_6_FALLING	Bypass GPI 6 Falling																																																																																		
BYPASS_GPI_7_RISING	Bypass GPI 7 Rising																																																																																		
BYPASS_GPI_7_FALLING	Bypass GPI 7 Falling																																																																																		
BYPASS_FRONT_GPI_0_RISING	Bypass Front GPI 0 Rising																																																																																		
BYPASS_FRONT_GPI_0_FALLING	Bypass Front GPI 0 Falling																																																																																		
BYPASS_FRONT_GPI_1_RISING	Bypass Front GPI 1 Rising																																																																																		
BYPASS_FRONT_GPI_1_FALLING	Bypass Front GPI 1 Falling																																																																																		
BYPASS_FRONT_GPI_2_RISING	Bypass Front GPI 2 Rising																																																																																		
BYPASS_FRONT_GPI_2_FALLING	Bypass Front GPI 2 Falling																																																																																		
BYPASS_FRONT_GPI_3_RISING	Bypass Front GPI 3 Rising																																																																																		
BYPASS_FRONT_GPI_3_FALLING	Bypass Front GPI 3 Falling																																																																																		
PULSEGEN0_RISING	Pulse Generator 0 Rising																																																																																		
PULSEGEN1_RISING	Pulse Generator 1 Rising																																																																																		
PULSEGEN2_RISING	Pulse Generator 2 Rising																																																																																		
PULSEGEN3_RISING	Pulse Generator 3 Rising																																																																																		
PULSEGEN0_FALLING	Pulse Generator 0 Falling																																																																																		
PULSEGEN1_FALLING	Pulse Generator 1 Falling																																																																																		
PULSEGEN2_FALLING	Pulse Generator 2 Falling																																																																																		
PULSEGEN3_FALLING	Pulse Generator 3 Falling																																																																																		
Default value	GND																																																																																		

Example 7.34. Usage of FG\_TRIGGERCAMERA\_SOURCE\_CXP3

```
int result = 0;
```

```

int value = GND;
const enum FgParamTypes type = FG_PARAM_TYPE_INT32_T;

if ((result = Fg_setParameterWithType(fg, FG_TRIGGERCAMERA_SOURCE_CXP3, &value, 0, type)) < 0) {
    /* error handling */
}

if ((result = Fg_getParameterWithType(fg, FG_TRIGGERCAMERA_SOURCE_CXP3, &value, 0, type)) < 0) {
    /* error handling */
}

```

## 7.5.12. Digital Output

The imaFlex CXP-12 Penta frame grabber have eight general purpose outputs (GPOs) and in addition four front GPOs.

The trigger system of this applet provides several possibilities of mapping sources to the digital output signals:

- Pulse form generators

The pulse form generators are the main output sources of the trigger system. You can either directly bypass one of the four sources to a digital output or invert its signal.

- Ground or Vcc if a digital output is not used or you want to manually set the signal level.
- The input bypass

The trigger system will ignore the signal length of the input signals. If you want to bypass an input directly to the output you can select the specific input or its inverted version.

### 7.5.12.1. FG\_TRIGGEROUT\_SELECT\_GPO\_0 et al.



#### Note

This description applies also to the following parameters: FG\_TRIGGEROUT\_SELECT\_GPO\_1, FG\_TRIGGEROUT\_SELECT\_GPO\_2, FG\_TRIGGEROUT\_SELECT\_GPO\_3, FG\_TRIGGEROUT\_SELECT\_GPO\_4, FG\_TRIGGEROUT\_SELECT\_GPO\_5, FG\_TRIGGEROUT\_SELECT\_GPO\_6, FG\_TRIGGEROUT\_SELECT\_GPO\_7

Select the source for the output on the respective GPO.



#### Using legacy values "PULSEGEN\_0 to PULSEGEN\_3" and "NOT\_PULSEGEN\_0 to NOT\_PULSEGEN\_3".

Note that values "PULSEGEN\_0 to PULSEGEN\_3" and "NOT\_PULSEGEN\_0 to NOT\_PULSEGEN\_3" are legacy parameters. If you set the parameter to one of these values the respective trigger module will be used. Reading the parameter will always include the camera index.

For example if you set FG\_TRIGGEROUT\_SELECT\_GPO\_0 for DMA index 1 to PULSEGEN\_0 on a multi-cam applet you will use the trigger module of camera B. Reading the parameter results in returning CAM\_B\_PULSEGEN0.

Table 7.36. Parameter properties of FG\_TRIGGEROUT\_SELECT\_GPO\_0

Property	Value																																																																																				
Name	FG_TRIGGEROUT_SELECT_GPO_0																																																																																				
Display Name	Trigger Out Select GPO 0																																																																																				
Type	Enumeration																																																																																				
Access policy	Read/Write/Change																																																																																				
Storage policy	Persistent																																																																																				
Allowed values	<table border="0"> <tr><td>VCC</td><td>VCC</td></tr> <tr><td>GND</td><td>GND</td></tr> <tr><td>CAM_A_PULSEGEN0</td><td>Cam A Pulse Generator 0</td></tr> <tr><td>CAM_A_PULSEGEN1</td><td>Cam A Pulse Generator 1</td></tr> <tr><td>CAM_A_PULSEGEN2</td><td>Cam A Pulse Generator 2</td></tr> <tr><td>CAM_A_PULSEGEN3</td><td>Cam A Pulse Generator 3</td></tr> <tr><td>CAM_A_NOT_PULSEGEN0</td><td>Not Cam A Pulse Generator 0</td></tr> <tr><td>CAM_A_NOT_PULSEGEN1</td><td>Not Cam A Pulse Generator 1</td></tr> <tr><td>CAM_A_NOT_PULSEGEN2</td><td>Not Cam A Pulse Generator 2</td></tr> <tr><td>CAM_A_NOT_PULSEGEN3</td><td>Not Cam A Pulse Generator 3</td></tr> <tr><td>BYPASS_GPI_0</td><td>Bypass GPI 0</td></tr> <tr><td>NOT_BYPASS_GPI_0</td><td>Not Bypass GPI 0</td></tr> <tr><td>BYPASS_GPI_1</td><td>Bypass GPI 1</td></tr> <tr><td>NOT_BYPASS_GPI_1</td><td>Not Bypass GPI 1</td></tr> <tr><td>BYPASS_GPI_2</td><td>Bypass GPI 2</td></tr> <tr><td>NOT_BYPASS_GPI_2</td><td>Not Bypass GPI 2</td></tr> <tr><td>BYPASS_GPI_3</td><td>Bypass GPI 3</td></tr> <tr><td>NOT_BYPASS_GPI_3</td><td>Not Bypass GPI 3</td></tr> <tr><td>BYPASS_GPI_4</td><td>Bypass GPI 4</td></tr> <tr><td>NOT_BYPASS_GPI_4</td><td>Not Bypass GPI 4</td></tr> <tr><td>BYPASS_GPI_5</td><td>Bypass GPI 5</td></tr> <tr><td>NOT_BYPASS_GPI_5</td><td>Not Bypass GPI 5</td></tr> <tr><td>BYPASS_GPI_6</td><td>Bypass GPI 6</td></tr> <tr><td>NOT_BYPASS_GPI_6</td><td>Not Bypass GPI 6</td></tr> <tr><td>BYPASS_GPI_7</td><td>Bypass GPI 7</td></tr> <tr><td>NOT_BYPASS_GPI_7</td><td>Not Bypass GPI 7</td></tr> <tr><td>BYPASS_FRONT_GPI_0</td><td>Bypass Front GPI 0</td></tr> <tr><td>NOT_BYPASS_FRONT_GPI_0</td><td>Not Bypass Front GPI 0</td></tr> <tr><td>BYPASS_FRONT_GPI_1</td><td>Bypass Front GPI 1</td></tr> <tr><td>NOT_BYPASS_FRONT_GPI_1</td><td>Not Bypass Front GPI 1</td></tr> <tr><td>BYPASS_FRONT_GPI_2</td><td>Bypass Front GPI 2</td></tr> <tr><td>NOT_BYPASS_FRONT_GPI_2</td><td>Not Bypass Front GPI 2</td></tr> <tr><td>BYPASS_FRONT_GPI_3</td><td>Bypass Front GPI 3</td></tr> <tr><td>NOT_BYPASS_FRONT_GPI_3</td><td>Not Bypass Front GPI 3</td></tr> <tr><td>PULSEGEN0</td><td>Pulse Generator 0</td></tr> <tr><td>PULSEGEN1</td><td>Pulse Generator 1</td></tr> <tr><td>PULSEGEN2</td><td>Pulse Generator 2</td></tr> <tr><td>PULSEGEN3</td><td>Pulse Generator 3</td></tr> <tr><td>NOT_PULSEGEN0</td><td>Not Pulse Generator 0</td></tr> <tr><td>NOT_PULSEGEN1</td><td>Not Pulse Generator 1</td></tr> <tr><td>NOT_PULSEGEN2</td><td>Not Pulse Generator 2</td></tr> <tr><td>NOT_PULSEGEN3</td><td>Not Pulse Generator 3</td></tr> </table>	VCC	VCC	GND	GND	CAM_A_PULSEGEN0	Cam A Pulse Generator 0	CAM_A_PULSEGEN1	Cam A Pulse Generator 1	CAM_A_PULSEGEN2	Cam A Pulse Generator 2	CAM_A_PULSEGEN3	Cam A Pulse Generator 3	CAM_A_NOT_PULSEGEN0	Not Cam A Pulse Generator 0	CAM_A_NOT_PULSEGEN1	Not Cam A Pulse Generator 1	CAM_A_NOT_PULSEGEN2	Not Cam A Pulse Generator 2	CAM_A_NOT_PULSEGEN3	Not Cam A Pulse Generator 3	BYPASS_GPI_0	Bypass GPI 0	NOT_BYPASS_GPI_0	Not Bypass GPI 0	BYPASS_GPI_1	Bypass GPI 1	NOT_BYPASS_GPI_1	Not Bypass GPI 1	BYPASS_GPI_2	Bypass GPI 2	NOT_BYPASS_GPI_2	Not Bypass GPI 2	BYPASS_GPI_3	Bypass GPI 3	NOT_BYPASS_GPI_3	Not Bypass GPI 3	BYPASS_GPI_4	Bypass GPI 4	NOT_BYPASS_GPI_4	Not Bypass GPI 4	BYPASS_GPI_5	Bypass GPI 5	NOT_BYPASS_GPI_5	Not Bypass GPI 5	BYPASS_GPI_6	Bypass GPI 6	NOT_BYPASS_GPI_6	Not Bypass GPI 6	BYPASS_GPI_7	Bypass GPI 7	NOT_BYPASS_GPI_7	Not Bypass GPI 7	BYPASS_FRONT_GPI_0	Bypass Front GPI 0	NOT_BYPASS_FRONT_GPI_0	Not Bypass Front GPI 0	BYPASS_FRONT_GPI_1	Bypass Front GPI 1	NOT_BYPASS_FRONT_GPI_1	Not Bypass Front GPI 1	BYPASS_FRONT_GPI_2	Bypass Front GPI 2	NOT_BYPASS_FRONT_GPI_2	Not Bypass Front GPI 2	BYPASS_FRONT_GPI_3	Bypass Front GPI 3	NOT_BYPASS_FRONT_GPI_3	Not Bypass Front GPI 3	PULSEGEN0	Pulse Generator 0	PULSEGEN1	Pulse Generator 1	PULSEGEN2	Pulse Generator 2	PULSEGEN3	Pulse Generator 3	NOT_PULSEGEN0	Not Pulse Generator 0	NOT_PULSEGEN1	Not Pulse Generator 1	NOT_PULSEGEN2	Not Pulse Generator 2	NOT_PULSEGEN3	Not Pulse Generator 3
VCC	VCC																																																																																				
GND	GND																																																																																				
CAM_A_PULSEGEN0	Cam A Pulse Generator 0																																																																																				
CAM_A_PULSEGEN1	Cam A Pulse Generator 1																																																																																				
CAM_A_PULSEGEN2	Cam A Pulse Generator 2																																																																																				
CAM_A_PULSEGEN3	Cam A Pulse Generator 3																																																																																				
CAM_A_NOT_PULSEGEN0	Not Cam A Pulse Generator 0																																																																																				
CAM_A_NOT_PULSEGEN1	Not Cam A Pulse Generator 1																																																																																				
CAM_A_NOT_PULSEGEN2	Not Cam A Pulse Generator 2																																																																																				
CAM_A_NOT_PULSEGEN3	Not Cam A Pulse Generator 3																																																																																				
BYPASS_GPI_0	Bypass GPI 0																																																																																				
NOT_BYPASS_GPI_0	Not Bypass GPI 0																																																																																				
BYPASS_GPI_1	Bypass GPI 1																																																																																				
NOT_BYPASS_GPI_1	Not Bypass GPI 1																																																																																				
BYPASS_GPI_2	Bypass GPI 2																																																																																				
NOT_BYPASS_GPI_2	Not Bypass GPI 2																																																																																				
BYPASS_GPI_3	Bypass GPI 3																																																																																				
NOT_BYPASS_GPI_3	Not Bypass GPI 3																																																																																				
BYPASS_GPI_4	Bypass GPI 4																																																																																				
NOT_BYPASS_GPI_4	Not Bypass GPI 4																																																																																				
BYPASS_GPI_5	Bypass GPI 5																																																																																				
NOT_BYPASS_GPI_5	Not Bypass GPI 5																																																																																				
BYPASS_GPI_6	Bypass GPI 6																																																																																				
NOT_BYPASS_GPI_6	Not Bypass GPI 6																																																																																				
BYPASS_GPI_7	Bypass GPI 7																																																																																				
NOT_BYPASS_GPI_7	Not Bypass GPI 7																																																																																				
BYPASS_FRONT_GPI_0	Bypass Front GPI 0																																																																																				
NOT_BYPASS_FRONT_GPI_0	Not Bypass Front GPI 0																																																																																				
BYPASS_FRONT_GPI_1	Bypass Front GPI 1																																																																																				
NOT_BYPASS_FRONT_GPI_1	Not Bypass Front GPI 1																																																																																				
BYPASS_FRONT_GPI_2	Bypass Front GPI 2																																																																																				
NOT_BYPASS_FRONT_GPI_2	Not Bypass Front GPI 2																																																																																				
BYPASS_FRONT_GPI_3	Bypass Front GPI 3																																																																																				
NOT_BYPASS_FRONT_GPI_3	Not Bypass Front GPI 3																																																																																				
PULSEGEN0	Pulse Generator 0																																																																																				
PULSEGEN1	Pulse Generator 1																																																																																				
PULSEGEN2	Pulse Generator 2																																																																																				
PULSEGEN3	Pulse Generator 3																																																																																				
NOT_PULSEGEN0	Not Pulse Generator 0																																																																																				
NOT_PULSEGEN1	Not Pulse Generator 1																																																																																				
NOT_PULSEGEN2	Not Pulse Generator 2																																																																																				
NOT_PULSEGEN3	Not Pulse Generator 3																																																																																				
Default value	GND																																																																																				

Example 7.35. Usage of FG\_TRIGGEROUT\_SELECT\_GPO\_0

```
int result = 0;
```

```
int value = GND;
const enum FgParamTypes type = FG_PARAM_TYPE_INT32_T;

if ((result = Fg_setParameterWithType(fg, FG_TRIGGEROUT_SELECT_GPO_0, &value, 0, type)) < 0) {
    /* error handling */
}

if ((result = Fg_getParameterWithType(fg, FG_TRIGGEROUT_SELECT_GPO_0, &value, 0, type)) < 0) {
    /* error handling */
}
```

---

### 7.5.12.2. FG\_TRIGGEROUT\_SELECT\_FRONT\_GPO\_0

Select the source for the output on the respective Front GPO.

Table 7.37. Parameter properties of FG\_TRIGGEROUT\_SELECT\_FRONT\_GPO\_0

Property	Value																																																																																				
Name	<b>FG_TRIGGEROUT_SELECT_FRONT_GPO_0</b>																																																																																				
Display Name	<b>Trigger Out Select Front GPO 0</b>																																																																																				
Type	<b>Enumeration</b>																																																																																				
Access policy	<b>Read/Write/Change</b>																																																																																				
Storage policy	<b>Persistent</b>																																																																																				
Allowed values	<table border="0"> <tbody> <tr><td>VCC</td><td>VCC</td></tr> <tr><td>GND</td><td>GND</td></tr> <tr><td>CAM_A_PULSEGEN0</td><td>Cam A Pulse Generator 0</td></tr> <tr><td>CAM_A_PULSEGEN1</td><td>Cam A Pulse Generator 1</td></tr> <tr><td>CAM_A_PULSEGEN2</td><td>Cam A Pulse Generator 2</td></tr> <tr><td>CAM_A_PULSEGEN3</td><td>Cam A Pulse Generator 3</td></tr> <tr><td>CAM_A_NOT_PULSEGEN0</td><td>Not Cam A Pulse Generator 0</td></tr> <tr><td>CAM_A_NOT_PULSEGEN1</td><td>Not Cam A Pulse Generator 1</td></tr> <tr><td>CAM_A_NOT_PULSEGEN2</td><td>Not Cam A Pulse Generator 2</td></tr> <tr><td>CAM_A_NOT_PULSEGEN3</td><td>Not Cam A Pulse Generator 3</td></tr> <tr><td>BYPASS_GPI_0</td><td>Bypass GPI 0</td></tr> <tr><td>NOT_BYPASS_GPI_0</td><td>Not Bypass GPI 0</td></tr> <tr><td>BYPASS_GPI_1</td><td>Bypass GPI 1</td></tr> <tr><td>NOT_BYPASS_GPI_1</td><td>Not Bypass GPI 1</td></tr> <tr><td>BYPASS_GPI_2</td><td>Bypass GPI 2</td></tr> <tr><td>NOT_BYPASS_GPI_2</td><td>Not Bypass GPI 2</td></tr> <tr><td>BYPASS_GPI_3</td><td>Bypass GPI 3</td></tr> <tr><td>NOT_BYPASS_GPI_3</td><td>Not Bypass GPI 3</td></tr> <tr><td>BYPASS_GPI_4</td><td>Bypass GPI 4</td></tr> <tr><td>NOT_BYPASS_GPI_4</td><td>Not Bypass GPI 4</td></tr> <tr><td>BYPASS_GPI_5</td><td>Bypass GPI 5</td></tr> <tr><td>NOT_BYPASS_GPI_5</td><td>Not Bypass GPI 5</td></tr> <tr><td>BYPASS_GPI_6</td><td>Bypass GPI 6</td></tr> <tr><td>NOT_BYPASS_GPI_6</td><td>Not Bypass GPI 6</td></tr> <tr><td>BYPASS_GPI_7</td><td>Bypass GPI 7</td></tr> <tr><td>NOT_BYPASS_GPI_7</td><td>Not Bypass GPI 7</td></tr> <tr><td>BYPASS_FRONT_GPI_0</td><td>Bypass Front GPI 0</td></tr> <tr><td>NOT_BYPASS_FRONT_GPI_0</td><td>Not Bypass Front GPI 0</td></tr> <tr><td>BYPASS_FRONT_GPI_1</td><td>Bypass Front GPI 1</td></tr> <tr><td>NOT_BYPASS_FRONT_GPI_1</td><td>Not Bypass Front GPI 1</td></tr> <tr><td>BYPASS_FRONT_GPI_2</td><td>Bypass Front GPI 2</td></tr> <tr><td>NOT_BYPASS_FRONT_GPI_2</td><td>Not Bypass Front GPI 2</td></tr> <tr><td>BYPASS_FRONT_GPI_3</td><td>Bypass Front GPI 3</td></tr> <tr><td>NOT_BYPASS_FRONT_GPI_3</td><td>Not Bypass Front GPI 3</td></tr> <tr><td>PULSEGEN0</td><td>Pulse Generator 0</td></tr> <tr><td>PULSEGEN1</td><td>Pulse Generator 1</td></tr> <tr><td>PULSEGEN2</td><td>Pulse Generator 2</td></tr> <tr><td>PULSEGEN3</td><td>Pulse Generator 3</td></tr> <tr><td>NOT_PULSEGEN0</td><td>Not Pulse Generator 0</td></tr> <tr><td>NOT_PULSEGEN1</td><td>Not Pulse Generator 1</td></tr> <tr><td>NOT_PULSEGEN2</td><td>Not Pulse Generator 2</td></tr> <tr><td>NOT_PULSEGEN3</td><td>Not Pulse Generator 3</td></tr> </tbody> </table>	VCC	VCC	GND	GND	CAM_A_PULSEGEN0	Cam A Pulse Generator 0	CAM_A_PULSEGEN1	Cam A Pulse Generator 1	CAM_A_PULSEGEN2	Cam A Pulse Generator 2	CAM_A_PULSEGEN3	Cam A Pulse Generator 3	CAM_A_NOT_PULSEGEN0	Not Cam A Pulse Generator 0	CAM_A_NOT_PULSEGEN1	Not Cam A Pulse Generator 1	CAM_A_NOT_PULSEGEN2	Not Cam A Pulse Generator 2	CAM_A_NOT_PULSEGEN3	Not Cam A Pulse Generator 3	BYPASS_GPI_0	Bypass GPI 0	NOT_BYPASS_GPI_0	Not Bypass GPI 0	BYPASS_GPI_1	Bypass GPI 1	NOT_BYPASS_GPI_1	Not Bypass GPI 1	BYPASS_GPI_2	Bypass GPI 2	NOT_BYPASS_GPI_2	Not Bypass GPI 2	BYPASS_GPI_3	Bypass GPI 3	NOT_BYPASS_GPI_3	Not Bypass GPI 3	BYPASS_GPI_4	Bypass GPI 4	NOT_BYPASS_GPI_4	Not Bypass GPI 4	BYPASS_GPI_5	Bypass GPI 5	NOT_BYPASS_GPI_5	Not Bypass GPI 5	BYPASS_GPI_6	Bypass GPI 6	NOT_BYPASS_GPI_6	Not Bypass GPI 6	BYPASS_GPI_7	Bypass GPI 7	NOT_BYPASS_GPI_7	Not Bypass GPI 7	BYPASS_FRONT_GPI_0	Bypass Front GPI 0	NOT_BYPASS_FRONT_GPI_0	Not Bypass Front GPI 0	BYPASS_FRONT_GPI_1	Bypass Front GPI 1	NOT_BYPASS_FRONT_GPI_1	Not Bypass Front GPI 1	BYPASS_FRONT_GPI_2	Bypass Front GPI 2	NOT_BYPASS_FRONT_GPI_2	Not Bypass Front GPI 2	BYPASS_FRONT_GPI_3	Bypass Front GPI 3	NOT_BYPASS_FRONT_GPI_3	Not Bypass Front GPI 3	PULSEGEN0	Pulse Generator 0	PULSEGEN1	Pulse Generator 1	PULSEGEN2	Pulse Generator 2	PULSEGEN3	Pulse Generator 3	NOT_PULSEGEN0	Not Pulse Generator 0	NOT_PULSEGEN1	Not Pulse Generator 1	NOT_PULSEGEN2	Not Pulse Generator 2	NOT_PULSEGEN3	Not Pulse Generator 3
VCC	VCC																																																																																				
GND	GND																																																																																				
CAM_A_PULSEGEN0	Cam A Pulse Generator 0																																																																																				
CAM_A_PULSEGEN1	Cam A Pulse Generator 1																																																																																				
CAM_A_PULSEGEN2	Cam A Pulse Generator 2																																																																																				
CAM_A_PULSEGEN3	Cam A Pulse Generator 3																																																																																				
CAM_A_NOT_PULSEGEN0	Not Cam A Pulse Generator 0																																																																																				
CAM_A_NOT_PULSEGEN1	Not Cam A Pulse Generator 1																																																																																				
CAM_A_NOT_PULSEGEN2	Not Cam A Pulse Generator 2																																																																																				
CAM_A_NOT_PULSEGEN3	Not Cam A Pulse Generator 3																																																																																				
BYPASS_GPI_0	Bypass GPI 0																																																																																				
NOT_BYPASS_GPI_0	Not Bypass GPI 0																																																																																				
BYPASS_GPI_1	Bypass GPI 1																																																																																				
NOT_BYPASS_GPI_1	Not Bypass GPI 1																																																																																				
BYPASS_GPI_2	Bypass GPI 2																																																																																				
NOT_BYPASS_GPI_2	Not Bypass GPI 2																																																																																				
BYPASS_GPI_3	Bypass GPI 3																																																																																				
NOT_BYPASS_GPI_3	Not Bypass GPI 3																																																																																				
BYPASS_GPI_4	Bypass GPI 4																																																																																				
NOT_BYPASS_GPI_4	Not Bypass GPI 4																																																																																				
BYPASS_GPI_5	Bypass GPI 5																																																																																				
NOT_BYPASS_GPI_5	Not Bypass GPI 5																																																																																				
BYPASS_GPI_6	Bypass GPI 6																																																																																				
NOT_BYPASS_GPI_6	Not Bypass GPI 6																																																																																				
BYPASS_GPI_7	Bypass GPI 7																																																																																				
NOT_BYPASS_GPI_7	Not Bypass GPI 7																																																																																				
BYPASS_FRONT_GPI_0	Bypass Front GPI 0																																																																																				
NOT_BYPASS_FRONT_GPI_0	Not Bypass Front GPI 0																																																																																				
BYPASS_FRONT_GPI_1	Bypass Front GPI 1																																																																																				
NOT_BYPASS_FRONT_GPI_1	Not Bypass Front GPI 1																																																																																				
BYPASS_FRONT_GPI_2	Bypass Front GPI 2																																																																																				
NOT_BYPASS_FRONT_GPI_2	Not Bypass Front GPI 2																																																																																				
BYPASS_FRONT_GPI_3	Bypass Front GPI 3																																																																																				
NOT_BYPASS_FRONT_GPI_3	Not Bypass Front GPI 3																																																																																				
PULSEGEN0	Pulse Generator 0																																																																																				
PULSEGEN1	Pulse Generator 1																																																																																				
PULSEGEN2	Pulse Generator 2																																																																																				
PULSEGEN3	Pulse Generator 3																																																																																				
NOT_PULSEGEN0	Not Pulse Generator 0																																																																																				
NOT_PULSEGEN1	Not Pulse Generator 1																																																																																				
NOT_PULSEGEN2	Not Pulse Generator 2																																																																																				
NOT_PULSEGEN3	Not Pulse Generator 3																																																																																				
Default value	<b>GND</b>																																																																																				

Example 7.36. Usage of FG\_TRIGGEROUT\_SELECT\_FRONT\_GPO\_0

```
int result = 0;
```



```
int value = GND;
const enum FgParamTypes type = FG_PARAM_TYPE_INT32_T;

if ((result = Fg_setParameterWithType(fg, FG_TRIGGEROUT_SELECT_FRONT_GPO_0, &value, 0, type)) < 0) {
    /* error handling */
}

if ((result = Fg_getParameterWithType(fg, FG_TRIGGEROUT_SELECT_FRONT_GPO_0, &value, 0, type)) < 0) {
    /* error handling */
}
```

---

### 7.5.12.3. FG\_TRIGGEROUT\_SELECT\_FRONT\_GPO\_1

Select the source for the output on the respective Front GPO.

Table 7.38. Parameter properties of FG\_TRIGGEROUT\_SELECT\_FRONT\_GPO\_1

Property	Value																																																																																				
Name	<b>FG_TRIGGEROUT_SELECT_FRONT_GPO_1</b>																																																																																				
Display Name	<b>Trigger Out Select Front GPO 1</b>																																																																																				
Type	<b>Enumeration</b>																																																																																				
Access policy	<b>Read/Write/Change</b>																																																																																				
Storage policy	<b>Persistent</b>																																																																																				
Allowed values	<table border="0"> <tbody> <tr><td>VCC</td><td>VCC</td></tr> <tr><td>GND</td><td>GND</td></tr> <tr><td>CAM_A_PULSEGEN0</td><td>Cam A Pulse Generator 0</td></tr> <tr><td>CAM_A_PULSEGEN1</td><td>Cam A Pulse Generator 1</td></tr> <tr><td>CAM_A_PULSEGEN2</td><td>Cam A Pulse Generator 2</td></tr> <tr><td>CAM_A_PULSEGEN3</td><td>Cam A Pulse Generator 3</td></tr> <tr><td>CAM_A_NOT_PULSEGEN0</td><td>Not Cam A Pulse Generator 0</td></tr> <tr><td>CAM_A_NOT_PULSEGEN1</td><td>Not Cam A Pulse Generator 1</td></tr> <tr><td>CAM_A_NOT_PULSEGEN2</td><td>Not Cam A Pulse Generator 2</td></tr> <tr><td>CAM_A_NOT_PULSEGEN3</td><td>Not Cam A Pulse Generator 3</td></tr> <tr><td>BYPASS_GPI_0</td><td>Bypass GPI 0</td></tr> <tr><td>NOT_BYPASS_GPI_0</td><td>Not Bypass GPI 0</td></tr> <tr><td>BYPASS_GPI_1</td><td>Bypass GPI 1</td></tr> <tr><td>NOT_BYPASS_GPI_1</td><td>Not Bypass GPI 1</td></tr> <tr><td>BYPASS_GPI_2</td><td>Bypass GPI 2</td></tr> <tr><td>NOT_BYPASS_GPI_2</td><td>Not Bypass GPI 2</td></tr> <tr><td>BYPASS_GPI_3</td><td>Bypass GPI 3</td></tr> <tr><td>NOT_BYPASS_GPI_3</td><td>Not Bypass GPI 3</td></tr> <tr><td>BYPASS_GPI_4</td><td>Bypass GPI 4</td></tr> <tr><td>NOT_BYPASS_GPI_4</td><td>Not Bypass GPI 4</td></tr> <tr><td>BYPASS_GPI_5</td><td>Bypass GPI 5</td></tr> <tr><td>NOT_BYPASS_GPI_5</td><td>Not Bypass GPI 5</td></tr> <tr><td>BYPASS_GPI_6</td><td>Bypass GPI 6</td></tr> <tr><td>NOT_BYPASS_GPI_6</td><td>Not Bypass GPI 6</td></tr> <tr><td>BYPASS_GPI_7</td><td>Bypass GPI 7</td></tr> <tr><td>NOT_BYPASS_GPI_7</td><td>Not Bypass GPI 7</td></tr> <tr><td>BYPASS_FRONT_GPI_0</td><td>Bypass Front GPI 0</td></tr> <tr><td>NOT_BYPASS_FRONT_GPI_0</td><td>Not Bypass Front GPI 0</td></tr> <tr><td>BYPASS_FRONT_GPI_1</td><td>Bypass Front GPI 1</td></tr> <tr><td>NOT_BYPASS_FRONT_GPI_1</td><td>Not Bypass Front GPI 1</td></tr> <tr><td>BYPASS_FRONT_GPI_2</td><td>Bypass Front GPI 2</td></tr> <tr><td>NOT_BYPASS_FRONT_GPI_2</td><td>Not Bypass Front GPI 2</td></tr> <tr><td>BYPASS_FRONT_GPI_3</td><td>Bypass Front GPI 3</td></tr> <tr><td>NOT_BYPASS_FRONT_GPI_3</td><td>Not Bypass Front GPI 3</td></tr> <tr><td>PULSEGEN0</td><td>Pulse Generator 0</td></tr> <tr><td>PULSEGEN1</td><td>Pulse Generator 1</td></tr> <tr><td>PULSEGEN2</td><td>Pulse Generator 2</td></tr> <tr><td>PULSEGEN3</td><td>Pulse Generator 3</td></tr> <tr><td>NOT_PULSEGEN0</td><td>Not Pulse Generator 0</td></tr> <tr><td>NOT_PULSEGEN1</td><td>Not Pulse Generator 1</td></tr> <tr><td>NOT_PULSEGEN2</td><td>Not Pulse Generator 2</td></tr> <tr><td>NOT_PULSEGEN3</td><td>Not Pulse Generator 3</td></tr> </tbody> </table>	VCC	VCC	GND	GND	CAM_A_PULSEGEN0	Cam A Pulse Generator 0	CAM_A_PULSEGEN1	Cam A Pulse Generator 1	CAM_A_PULSEGEN2	Cam A Pulse Generator 2	CAM_A_PULSEGEN3	Cam A Pulse Generator 3	CAM_A_NOT_PULSEGEN0	Not Cam A Pulse Generator 0	CAM_A_NOT_PULSEGEN1	Not Cam A Pulse Generator 1	CAM_A_NOT_PULSEGEN2	Not Cam A Pulse Generator 2	CAM_A_NOT_PULSEGEN3	Not Cam A Pulse Generator 3	BYPASS_GPI_0	Bypass GPI 0	NOT_BYPASS_GPI_0	Not Bypass GPI 0	BYPASS_GPI_1	Bypass GPI 1	NOT_BYPASS_GPI_1	Not Bypass GPI 1	BYPASS_GPI_2	Bypass GPI 2	NOT_BYPASS_GPI_2	Not Bypass GPI 2	BYPASS_GPI_3	Bypass GPI 3	NOT_BYPASS_GPI_3	Not Bypass GPI 3	BYPASS_GPI_4	Bypass GPI 4	NOT_BYPASS_GPI_4	Not Bypass GPI 4	BYPASS_GPI_5	Bypass GPI 5	NOT_BYPASS_GPI_5	Not Bypass GPI 5	BYPASS_GPI_6	Bypass GPI 6	NOT_BYPASS_GPI_6	Not Bypass GPI 6	BYPASS_GPI_7	Bypass GPI 7	NOT_BYPASS_GPI_7	Not Bypass GPI 7	BYPASS_FRONT_GPI_0	Bypass Front GPI 0	NOT_BYPASS_FRONT_GPI_0	Not Bypass Front GPI 0	BYPASS_FRONT_GPI_1	Bypass Front GPI 1	NOT_BYPASS_FRONT_GPI_1	Not Bypass Front GPI 1	BYPASS_FRONT_GPI_2	Bypass Front GPI 2	NOT_BYPASS_FRONT_GPI_2	Not Bypass Front GPI 2	BYPASS_FRONT_GPI_3	Bypass Front GPI 3	NOT_BYPASS_FRONT_GPI_3	Not Bypass Front GPI 3	PULSEGEN0	Pulse Generator 0	PULSEGEN1	Pulse Generator 1	PULSEGEN2	Pulse Generator 2	PULSEGEN3	Pulse Generator 3	NOT_PULSEGEN0	Not Pulse Generator 0	NOT_PULSEGEN1	Not Pulse Generator 1	NOT_PULSEGEN2	Not Pulse Generator 2	NOT_PULSEGEN3	Not Pulse Generator 3
VCC	VCC																																																																																				
GND	GND																																																																																				
CAM_A_PULSEGEN0	Cam A Pulse Generator 0																																																																																				
CAM_A_PULSEGEN1	Cam A Pulse Generator 1																																																																																				
CAM_A_PULSEGEN2	Cam A Pulse Generator 2																																																																																				
CAM_A_PULSEGEN3	Cam A Pulse Generator 3																																																																																				
CAM_A_NOT_PULSEGEN0	Not Cam A Pulse Generator 0																																																																																				
CAM_A_NOT_PULSEGEN1	Not Cam A Pulse Generator 1																																																																																				
CAM_A_NOT_PULSEGEN2	Not Cam A Pulse Generator 2																																																																																				
CAM_A_NOT_PULSEGEN3	Not Cam A Pulse Generator 3																																																																																				
BYPASS_GPI_0	Bypass GPI 0																																																																																				
NOT_BYPASS_GPI_0	Not Bypass GPI 0																																																																																				
BYPASS_GPI_1	Bypass GPI 1																																																																																				
NOT_BYPASS_GPI_1	Not Bypass GPI 1																																																																																				
BYPASS_GPI_2	Bypass GPI 2																																																																																				
NOT_BYPASS_GPI_2	Not Bypass GPI 2																																																																																				
BYPASS_GPI_3	Bypass GPI 3																																																																																				
NOT_BYPASS_GPI_3	Not Bypass GPI 3																																																																																				
BYPASS_GPI_4	Bypass GPI 4																																																																																				
NOT_BYPASS_GPI_4	Not Bypass GPI 4																																																																																				
BYPASS_GPI_5	Bypass GPI 5																																																																																				
NOT_BYPASS_GPI_5	Not Bypass GPI 5																																																																																				
BYPASS_GPI_6	Bypass GPI 6																																																																																				
NOT_BYPASS_GPI_6	Not Bypass GPI 6																																																																																				
BYPASS_GPI_7	Bypass GPI 7																																																																																				
NOT_BYPASS_GPI_7	Not Bypass GPI 7																																																																																				
BYPASS_FRONT_GPI_0	Bypass Front GPI 0																																																																																				
NOT_BYPASS_FRONT_GPI_0	Not Bypass Front GPI 0																																																																																				
BYPASS_FRONT_GPI_1	Bypass Front GPI 1																																																																																				
NOT_BYPASS_FRONT_GPI_1	Not Bypass Front GPI 1																																																																																				
BYPASS_FRONT_GPI_2	Bypass Front GPI 2																																																																																				
NOT_BYPASS_FRONT_GPI_2	Not Bypass Front GPI 2																																																																																				
BYPASS_FRONT_GPI_3	Bypass Front GPI 3																																																																																				
NOT_BYPASS_FRONT_GPI_3	Not Bypass Front GPI 3																																																																																				
PULSEGEN0	Pulse Generator 0																																																																																				
PULSEGEN1	Pulse Generator 1																																																																																				
PULSEGEN2	Pulse Generator 2																																																																																				
PULSEGEN3	Pulse Generator 3																																																																																				
NOT_PULSEGEN0	Not Pulse Generator 0																																																																																				
NOT_PULSEGEN1	Not Pulse Generator 1																																																																																				
NOT_PULSEGEN2	Not Pulse Generator 2																																																																																				
NOT_PULSEGEN3	Not Pulse Generator 3																																																																																				
Default value	<b>GND</b>																																																																																				

Example 7.37. Usage of FG\_TRIGGEROUT\_SELECT\_FRONT\_GPO\_1

```
int result = 0;
```

```
int value = GND;
const enum FgParamTypes type = FG_PARAM_TYPE_INT32_T;

if ((result = Fg_setParameterWithType(fg, FG_TRIGGEROUT_SELECT_FRONT_GPO_1, &value, 0, type)) < 0) {
    /* error handling */
}

if ((result = Fg_getParameterWithType(fg, FG_TRIGGEROUT_SELECT_FRONT_GPO_1, &value, 0, type)) < 0) {
    /* error handling */
}
```

---

### 7.5.12.4. FG\_TRIGGEROUT\_SELECT\_FRONT\_GPO\_2

Select the source for the output on the respective Front GPO.

Table 7.39. Parameter properties of FG\_TRIGGEROUT\_SELECT\_FRONT\_GPO\_2

Property	Value																																																																																				
Name	FG_TRIGGEROUT_SELECT_FRONT_GPO_2																																																																																				
Display Name	Trigger Out Select Front GPO 2																																																																																				
Type	Enumeration																																																																																				
Access policy	Read/Write/Change																																																																																				
Storage policy	Persistent																																																																																				
Allowed values	<table border="0"> <tr><td>VCC</td><td>VCC</td></tr> <tr><td>GND</td><td>GND</td></tr> <tr><td>CAM_A_PULSEGEN0</td><td>Cam A Pulse Generator 0</td></tr> <tr><td>CAM_A_PULSEGEN1</td><td>Cam A Pulse Generator 1</td></tr> <tr><td>CAM_A_PULSEGEN2</td><td>Cam A Pulse Generator 2</td></tr> <tr><td>CAM_A_PULSEGEN3</td><td>Cam A Pulse Generator 3</td></tr> <tr><td>CAM_A_NOT_PULSEGEN0</td><td>Not Cam A Pulse Generator 0</td></tr> <tr><td>CAM_A_NOT_PULSEGEN1</td><td>Not Cam A Pulse Generator 1</td></tr> <tr><td>CAM_A_NOT_PULSEGEN2</td><td>Not Cam A Pulse Generator 2</td></tr> <tr><td>CAM_A_NOT_PULSEGEN3</td><td>Not Cam A Pulse Generator 3</td></tr> <tr><td>BYPASS_GPI_0</td><td>Bypass GPI 0</td></tr> <tr><td>NOT_BYPASS_GPI_0</td><td>Not Bypass GPI 0</td></tr> <tr><td>BYPASS_GPI_1</td><td>Bypass GPI 1</td></tr> <tr><td>NOT_BYPASS_GPI_1</td><td>Not Bypass GPI 1</td></tr> <tr><td>BYPASS_GPI_2</td><td>Bypass GPI 2</td></tr> <tr><td>NOT_BYPASS_GPI_2</td><td>Not Bypass GPI 2</td></tr> <tr><td>BYPASS_GPI_3</td><td>Bypass GPI 3</td></tr> <tr><td>NOT_BYPASS_GPI_3</td><td>Not Bypass GPI 3</td></tr> <tr><td>BYPASS_GPI_4</td><td>Bypass GPI 4</td></tr> <tr><td>NOT_BYPASS_GPI_4</td><td>Not Bypass GPI 4</td></tr> <tr><td>BYPASS_GPI_5</td><td>Bypass GPI 5</td></tr> <tr><td>NOT_BYPASS_GPI_5</td><td>Not Bypass GPI 5</td></tr> <tr><td>BYPASS_GPI_6</td><td>Bypass GPI 6</td></tr> <tr><td>NOT_BYPASS_GPI_6</td><td>Not Bypass GPI 6</td></tr> <tr><td>BYPASS_GPI_7</td><td>Bypass GPI 7</td></tr> <tr><td>NOT_BYPASS_GPI_7</td><td>Not Bypass GPI 7</td></tr> <tr><td>BYPASS_FRONT_GPI_0</td><td>Bypass Front GPI 0</td></tr> <tr><td>NOT_BYPASS_FRONT_GPI_0</td><td>Not Bypass Front GPI 0</td></tr> <tr><td>BYPASS_FRONT_GPI_1</td><td>Bypass Front GPI 1</td></tr> <tr><td>NOT_BYPASS_FRONT_GPI_1</td><td>Not Bypass Front GPI 1</td></tr> <tr><td>BYPASS_FRONT_GPI_2</td><td>Bypass Front GPI 2</td></tr> <tr><td>NOT_BYPASS_FRONT_GPI_2</td><td>Not Bypass Front GPI 2</td></tr> <tr><td>BYPASS_FRONT_GPI_3</td><td>Bypass Front GPI 3</td></tr> <tr><td>NOT_BYPASS_FRONT_GPI_3</td><td>Not Bypass Front GPI 3</td></tr> <tr><td>PULSEGEN0</td><td>Pulse Generator 0</td></tr> <tr><td>PULSEGEN1</td><td>Pulse Generator 1</td></tr> <tr><td>PULSEGEN2</td><td>Pulse Generator 2</td></tr> <tr><td>PULSEGEN3</td><td>Pulse Generator 3</td></tr> <tr><td>NOT_PULSEGEN0</td><td>Not Pulse Generator 0</td></tr> <tr><td>NOT_PULSEGEN1</td><td>Not Pulse Generator 1</td></tr> <tr><td>NOT_PULSEGEN2</td><td>Not Pulse Generator 2</td></tr> <tr><td>NOT_PULSEGEN3</td><td>Not Pulse Generator 3</td></tr> </table>	VCC	VCC	GND	GND	CAM_A_PULSEGEN0	Cam A Pulse Generator 0	CAM_A_PULSEGEN1	Cam A Pulse Generator 1	CAM_A_PULSEGEN2	Cam A Pulse Generator 2	CAM_A_PULSEGEN3	Cam A Pulse Generator 3	CAM_A_NOT_PULSEGEN0	Not Cam A Pulse Generator 0	CAM_A_NOT_PULSEGEN1	Not Cam A Pulse Generator 1	CAM_A_NOT_PULSEGEN2	Not Cam A Pulse Generator 2	CAM_A_NOT_PULSEGEN3	Not Cam A Pulse Generator 3	BYPASS_GPI_0	Bypass GPI 0	NOT_BYPASS_GPI_0	Not Bypass GPI 0	BYPASS_GPI_1	Bypass GPI 1	NOT_BYPASS_GPI_1	Not Bypass GPI 1	BYPASS_GPI_2	Bypass GPI 2	NOT_BYPASS_GPI_2	Not Bypass GPI 2	BYPASS_GPI_3	Bypass GPI 3	NOT_BYPASS_GPI_3	Not Bypass GPI 3	BYPASS_GPI_4	Bypass GPI 4	NOT_BYPASS_GPI_4	Not Bypass GPI 4	BYPASS_GPI_5	Bypass GPI 5	NOT_BYPASS_GPI_5	Not Bypass GPI 5	BYPASS_GPI_6	Bypass GPI 6	NOT_BYPASS_GPI_6	Not Bypass GPI 6	BYPASS_GPI_7	Bypass GPI 7	NOT_BYPASS_GPI_7	Not Bypass GPI 7	BYPASS_FRONT_GPI_0	Bypass Front GPI 0	NOT_BYPASS_FRONT_GPI_0	Not Bypass Front GPI 0	BYPASS_FRONT_GPI_1	Bypass Front GPI 1	NOT_BYPASS_FRONT_GPI_1	Not Bypass Front GPI 1	BYPASS_FRONT_GPI_2	Bypass Front GPI 2	NOT_BYPASS_FRONT_GPI_2	Not Bypass Front GPI 2	BYPASS_FRONT_GPI_3	Bypass Front GPI 3	NOT_BYPASS_FRONT_GPI_3	Not Bypass Front GPI 3	PULSEGEN0	Pulse Generator 0	PULSEGEN1	Pulse Generator 1	PULSEGEN2	Pulse Generator 2	PULSEGEN3	Pulse Generator 3	NOT_PULSEGEN0	Not Pulse Generator 0	NOT_PULSEGEN1	Not Pulse Generator 1	NOT_PULSEGEN2	Not Pulse Generator 2	NOT_PULSEGEN3	Not Pulse Generator 3
VCC	VCC																																																																																				
GND	GND																																																																																				
CAM_A_PULSEGEN0	Cam A Pulse Generator 0																																																																																				
CAM_A_PULSEGEN1	Cam A Pulse Generator 1																																																																																				
CAM_A_PULSEGEN2	Cam A Pulse Generator 2																																																																																				
CAM_A_PULSEGEN3	Cam A Pulse Generator 3																																																																																				
CAM_A_NOT_PULSEGEN0	Not Cam A Pulse Generator 0																																																																																				
CAM_A_NOT_PULSEGEN1	Not Cam A Pulse Generator 1																																																																																				
CAM_A_NOT_PULSEGEN2	Not Cam A Pulse Generator 2																																																																																				
CAM_A_NOT_PULSEGEN3	Not Cam A Pulse Generator 3																																																																																				
BYPASS_GPI_0	Bypass GPI 0																																																																																				
NOT_BYPASS_GPI_0	Not Bypass GPI 0																																																																																				
BYPASS_GPI_1	Bypass GPI 1																																																																																				
NOT_BYPASS_GPI_1	Not Bypass GPI 1																																																																																				
BYPASS_GPI_2	Bypass GPI 2																																																																																				
NOT_BYPASS_GPI_2	Not Bypass GPI 2																																																																																				
BYPASS_GPI_3	Bypass GPI 3																																																																																				
NOT_BYPASS_GPI_3	Not Bypass GPI 3																																																																																				
BYPASS_GPI_4	Bypass GPI 4																																																																																				
NOT_BYPASS_GPI_4	Not Bypass GPI 4																																																																																				
BYPASS_GPI_5	Bypass GPI 5																																																																																				
NOT_BYPASS_GPI_5	Not Bypass GPI 5																																																																																				
BYPASS_GPI_6	Bypass GPI 6																																																																																				
NOT_BYPASS_GPI_6	Not Bypass GPI 6																																																																																				
BYPASS_GPI_7	Bypass GPI 7																																																																																				
NOT_BYPASS_GPI_7	Not Bypass GPI 7																																																																																				
BYPASS_FRONT_GPI_0	Bypass Front GPI 0																																																																																				
NOT_BYPASS_FRONT_GPI_0	Not Bypass Front GPI 0																																																																																				
BYPASS_FRONT_GPI_1	Bypass Front GPI 1																																																																																				
NOT_BYPASS_FRONT_GPI_1	Not Bypass Front GPI 1																																																																																				
BYPASS_FRONT_GPI_2	Bypass Front GPI 2																																																																																				
NOT_BYPASS_FRONT_GPI_2	Not Bypass Front GPI 2																																																																																				
BYPASS_FRONT_GPI_3	Bypass Front GPI 3																																																																																				
NOT_BYPASS_FRONT_GPI_3	Not Bypass Front GPI 3																																																																																				
PULSEGEN0	Pulse Generator 0																																																																																				
PULSEGEN1	Pulse Generator 1																																																																																				
PULSEGEN2	Pulse Generator 2																																																																																				
PULSEGEN3	Pulse Generator 3																																																																																				
NOT_PULSEGEN0	Not Pulse Generator 0																																																																																				
NOT_PULSEGEN1	Not Pulse Generator 1																																																																																				
NOT_PULSEGEN2	Not Pulse Generator 2																																																																																				
NOT_PULSEGEN3	Not Pulse Generator 3																																																																																				
Default value	GND																																																																																				

Example 7.38. Usage of FG\_TRIGGEROUT\_SELECT\_FRONT\_GPO\_2

```
int result = 0;
```

```
int value = GND;
const enum FgParamTypes type = FG_PARAM_TYPE_INT32_T;

if ((result = Fg_setParameterWithType(fg, FG_TRIGGEROUT_SELECT_FRONT_GPO_2, &value, 0, type)) < 0) {
    /* error handling */
}

if ((result = Fg_getParameterWithType(fg, FG_TRIGGEROUT_SELECT_FRONT_GPO_2, &value, 0, type)) < 0) {
    /* error handling */
}
```

---

### 7.5.12.5. FG\_TRIGGEROUT\_SELECT\_FRONT\_GPO\_3

Select the source for the output on the respective Front GPO.

Table 7.40. Parameter properties of FG\_TRIGGEROUT\_SELECT\_FRONT\_GPO\_3

Property	Value																																																																																				
Name	<b>FG_TRIGGEROUT_SELECT_FRONT_GPO_3</b>																																																																																				
Display Name	<b>Trigger Out Select Front GPO 3</b>																																																																																				
Type	<b>Enumeration</b>																																																																																				
Access policy	<b>Read/Write/Change</b>																																																																																				
Storage policy	<b>Persistent</b>																																																																																				
Allowed values	<table border="0"> <tbody> <tr><td>VCC</td><td>VCC</td></tr> <tr><td>GND</td><td>GND</td></tr> <tr><td>CAM_A_PULSEGEN0</td><td>Cam A Pulse Generator 0</td></tr> <tr><td>CAM_A_PULSEGEN1</td><td>Cam A Pulse Generator 1</td></tr> <tr><td>CAM_A_PULSEGEN2</td><td>Cam A Pulse Generator 2</td></tr> <tr><td>CAM_A_PULSEGEN3</td><td>Cam A Pulse Generator 3</td></tr> <tr><td>CAM_A_NOT_PULSEGEN0</td><td>Not Cam A Pulse Generator 0</td></tr> <tr><td>CAM_A_NOT_PULSEGEN1</td><td>Not Cam A Pulse Generator 1</td></tr> <tr><td>CAM_A_NOT_PULSEGEN2</td><td>Not Cam A Pulse Generator 2</td></tr> <tr><td>CAM_A_NOT_PULSEGEN3</td><td>Not Cam A Pulse Generator 3</td></tr> <tr><td>BYPASS_GPI_0</td><td>Bypass GPI 0</td></tr> <tr><td>NOT_BYPASS_GPI_0</td><td>Not Bypass GPI 0</td></tr> <tr><td>BYPASS_GPI_1</td><td>Bypass GPI 1</td></tr> <tr><td>NOT_BYPASS_GPI_1</td><td>Not Bypass GPI 1</td></tr> <tr><td>BYPASS_GPI_2</td><td>Bypass GPI 2</td></tr> <tr><td>NOT_BYPASS_GPI_2</td><td>Not Bypass GPI 2</td></tr> <tr><td>BYPASS_GPI_3</td><td>Bypass GPI 3</td></tr> <tr><td>NOT_BYPASS_GPI_3</td><td>Not Bypass GPI 3</td></tr> <tr><td>BYPASS_GPI_4</td><td>Bypass GPI 4</td></tr> <tr><td>NOT_BYPASS_GPI_4</td><td>Not Bypass GPI 4</td></tr> <tr><td>BYPASS_GPI_5</td><td>Bypass GPI 5</td></tr> <tr><td>NOT_BYPASS_GPI_5</td><td>Not Bypass GPI 5</td></tr> <tr><td>BYPASS_GPI_6</td><td>Bypass GPI 6</td></tr> <tr><td>NOT_BYPASS_GPI_6</td><td>Not Bypass GPI 6</td></tr> <tr><td>BYPASS_GPI_7</td><td>Bypass GPI 7</td></tr> <tr><td>NOT_BYPASS_GPI_7</td><td>Not Bypass GPI 7</td></tr> <tr><td>BYPASS_FRONT_GPI_0</td><td>Bypass Front GPI 0</td></tr> <tr><td>NOT_BYPASS_FRONT_GPI_0</td><td>Not Bypass Front GPI 0</td></tr> <tr><td>BYPASS_FRONT_GPI_1</td><td>Bypass Front GPI 1</td></tr> <tr><td>NOT_BYPASS_FRONT_GPI_1</td><td>Not Bypass Front GPI 1</td></tr> <tr><td>BYPASS_FRONT_GPI_2</td><td>Bypass Front GPI 2</td></tr> <tr><td>NOT_BYPASS_FRONT_GPI_2</td><td>Not Bypass Front GPI 2</td></tr> <tr><td>BYPASS_FRONT_GPI_3</td><td>Bypass Front GPI 3</td></tr> <tr><td>NOT_BYPASS_FRONT_GPI_3</td><td>Not Bypass Front GPI 3</td></tr> <tr><td>PULSEGEN0</td><td>Pulse Generator 0</td></tr> <tr><td>PULSEGEN1</td><td>Pulse Generator 1</td></tr> <tr><td>PULSEGEN2</td><td>Pulse Generator 2</td></tr> <tr><td>PULSEGEN3</td><td>Pulse Generator 3</td></tr> <tr><td>NOT_PULSEGEN0</td><td>Not Pulse Generator 0</td></tr> <tr><td>NOT_PULSEGEN1</td><td>Not Pulse Generator 1</td></tr> <tr><td>NOT_PULSEGEN2</td><td>Not Pulse Generator 2</td></tr> <tr><td>NOT_PULSEGEN3</td><td>Not Pulse Generator 3</td></tr> </tbody> </table>	VCC	VCC	GND	GND	CAM_A_PULSEGEN0	Cam A Pulse Generator 0	CAM_A_PULSEGEN1	Cam A Pulse Generator 1	CAM_A_PULSEGEN2	Cam A Pulse Generator 2	CAM_A_PULSEGEN3	Cam A Pulse Generator 3	CAM_A_NOT_PULSEGEN0	Not Cam A Pulse Generator 0	CAM_A_NOT_PULSEGEN1	Not Cam A Pulse Generator 1	CAM_A_NOT_PULSEGEN2	Not Cam A Pulse Generator 2	CAM_A_NOT_PULSEGEN3	Not Cam A Pulse Generator 3	BYPASS_GPI_0	Bypass GPI 0	NOT_BYPASS_GPI_0	Not Bypass GPI 0	BYPASS_GPI_1	Bypass GPI 1	NOT_BYPASS_GPI_1	Not Bypass GPI 1	BYPASS_GPI_2	Bypass GPI 2	NOT_BYPASS_GPI_2	Not Bypass GPI 2	BYPASS_GPI_3	Bypass GPI 3	NOT_BYPASS_GPI_3	Not Bypass GPI 3	BYPASS_GPI_4	Bypass GPI 4	NOT_BYPASS_GPI_4	Not Bypass GPI 4	BYPASS_GPI_5	Bypass GPI 5	NOT_BYPASS_GPI_5	Not Bypass GPI 5	BYPASS_GPI_6	Bypass GPI 6	NOT_BYPASS_GPI_6	Not Bypass GPI 6	BYPASS_GPI_7	Bypass GPI 7	NOT_BYPASS_GPI_7	Not Bypass GPI 7	BYPASS_FRONT_GPI_0	Bypass Front GPI 0	NOT_BYPASS_FRONT_GPI_0	Not Bypass Front GPI 0	BYPASS_FRONT_GPI_1	Bypass Front GPI 1	NOT_BYPASS_FRONT_GPI_1	Not Bypass Front GPI 1	BYPASS_FRONT_GPI_2	Bypass Front GPI 2	NOT_BYPASS_FRONT_GPI_2	Not Bypass Front GPI 2	BYPASS_FRONT_GPI_3	Bypass Front GPI 3	NOT_BYPASS_FRONT_GPI_3	Not Bypass Front GPI 3	PULSEGEN0	Pulse Generator 0	PULSEGEN1	Pulse Generator 1	PULSEGEN2	Pulse Generator 2	PULSEGEN3	Pulse Generator 3	NOT_PULSEGEN0	Not Pulse Generator 0	NOT_PULSEGEN1	Not Pulse Generator 1	NOT_PULSEGEN2	Not Pulse Generator 2	NOT_PULSEGEN3	Not Pulse Generator 3
VCC	VCC																																																																																				
GND	GND																																																																																				
CAM_A_PULSEGEN0	Cam A Pulse Generator 0																																																																																				
CAM_A_PULSEGEN1	Cam A Pulse Generator 1																																																																																				
CAM_A_PULSEGEN2	Cam A Pulse Generator 2																																																																																				
CAM_A_PULSEGEN3	Cam A Pulse Generator 3																																																																																				
CAM_A_NOT_PULSEGEN0	Not Cam A Pulse Generator 0																																																																																				
CAM_A_NOT_PULSEGEN1	Not Cam A Pulse Generator 1																																																																																				
CAM_A_NOT_PULSEGEN2	Not Cam A Pulse Generator 2																																																																																				
CAM_A_NOT_PULSEGEN3	Not Cam A Pulse Generator 3																																																																																				
BYPASS_GPI_0	Bypass GPI 0																																																																																				
NOT_BYPASS_GPI_0	Not Bypass GPI 0																																																																																				
BYPASS_GPI_1	Bypass GPI 1																																																																																				
NOT_BYPASS_GPI_1	Not Bypass GPI 1																																																																																				
BYPASS_GPI_2	Bypass GPI 2																																																																																				
NOT_BYPASS_GPI_2	Not Bypass GPI 2																																																																																				
BYPASS_GPI_3	Bypass GPI 3																																																																																				
NOT_BYPASS_GPI_3	Not Bypass GPI 3																																																																																				
BYPASS_GPI_4	Bypass GPI 4																																																																																				
NOT_BYPASS_GPI_4	Not Bypass GPI 4																																																																																				
BYPASS_GPI_5	Bypass GPI 5																																																																																				
NOT_BYPASS_GPI_5	Not Bypass GPI 5																																																																																				
BYPASS_GPI_6	Bypass GPI 6																																																																																				
NOT_BYPASS_GPI_6	Not Bypass GPI 6																																																																																				
BYPASS_GPI_7	Bypass GPI 7																																																																																				
NOT_BYPASS_GPI_7	Not Bypass GPI 7																																																																																				
BYPASS_FRONT_GPI_0	Bypass Front GPI 0																																																																																				
NOT_BYPASS_FRONT_GPI_0	Not Bypass Front GPI 0																																																																																				
BYPASS_FRONT_GPI_1	Bypass Front GPI 1																																																																																				
NOT_BYPASS_FRONT_GPI_1	Not Bypass Front GPI 1																																																																																				
BYPASS_FRONT_GPI_2	Bypass Front GPI 2																																																																																				
NOT_BYPASS_FRONT_GPI_2	Not Bypass Front GPI 2																																																																																				
BYPASS_FRONT_GPI_3	Bypass Front GPI 3																																																																																				
NOT_BYPASS_FRONT_GPI_3	Not Bypass Front GPI 3																																																																																				
PULSEGEN0	Pulse Generator 0																																																																																				
PULSEGEN1	Pulse Generator 1																																																																																				
PULSEGEN2	Pulse Generator 2																																																																																				
PULSEGEN3	Pulse Generator 3																																																																																				
NOT_PULSEGEN0	Not Pulse Generator 0																																																																																				
NOT_PULSEGEN1	Not Pulse Generator 1																																																																																				
NOT_PULSEGEN2	Not Pulse Generator 2																																																																																				
NOT_PULSEGEN3	Not Pulse Generator 3																																																																																				
Default value	<b>GND</b>																																																																																				

Example 7.39. Usage of FG\_TRIGGEROUT\_SELECT\_FRONT\_GPO\_3

```
int result = 0;
```

```

int value = GND;
const enum FgParamTypes type = FG_PARAM_TYPE_INT32_T;

if ((result = Fg_setParameterWithType(fg, FG_TRIGGEROUT_SELECT_FRONT_GPO_3, &value, 0, type)) < 0) {
    /* error handling */
}

if ((result = Fg_getParameterWithType(fg, FG_TRIGGEROUT_SELECT_FRONT_GPO_3, &value, 0, type)) < 0) {
    /* error handling */
}

```

### 7.5.12.6. Statistics

The output statistics module counts the number of output pulses. The source can be selected by parameter `FG_TRIGGEROUT_STATS_SOURCE`. The count value can be read from parameter `FG_TRIGGEROUT_STATS_PULSECOUNT`. Parameter `FG_TRIGGEROUT_STATS_SOURCE` also selects the source for the missing frame detection functionality.

#### 7.5.12.6.1. FG\_TRIGGER\_EXCEEDED\_PERIOD\_LIMITS

This read-only register has value **FG\_YES** if the input signal frequency exceeded the maximum allowed frequency defined by parameter `FG_TRIGGER_FRAMESPERSECOND`. If the queue is enabled, the register is only set if the queue is full and cannot store a new input pulse. Reading the register will not reset it. It is required to reset the register by writing to `FG_TRIGGER_EXCEEDED_PERIOD_LIMITS_CLEAR`.

Table 7.41. Parameter properties of `FG_TRIGGER_EXCEEDED_PERIOD_LIMITS`

Property	Value
Name	<b>FG_TRIGGER_EXCEEDED_PERIOD_LIMITS</b>
Display Name	<b>Trigger Exceeded Period Limits</b>
Type	<b>Enumeration</b>
Access policy	<b>Read-Only</b>
Storage policy	<b>Transient</b>
Allowed values	<b>FG_YES</b> Yes <b>FG_NO</b> No

Example 7.40. Usage of `FG_TRIGGER_EXCEEDED_PERIOD_LIMITS`

```

int result = 0;
int value = FG_NO;
const enum FgParamTypes type = FG_PARAM_TYPE_INT32_T;

if ((result = Fg_getParameterWithType(fg, FG_TRIGGER_EXCEEDED_PERIOD_LIMITS, &value, 0, type)) < 0) {
    /* error handling */
}

```

#### 7.5.12.6.2. FG\_TRIGGER\_EXCEEDED\_PERIOD\_LIMITS\_CLEAR

Reset `FG_TRIGGER_EXCEEDED_PERIOD_LIMITS` with this parameter.

Table 7.42. Parameter properties of FG\_TRIGGER\_EXCEEDED\_PERIOD\_LIMITS\_CLEAR

Property	Value
Name	<b>FG_TRIGGER_EXCEEDED_PERIOD_LIMITS_CLEAR</b>
Display Name	<b>Clear Exceeded Period Limits Register</b>
Type	<b>Enumeration</b>
Access policy	<b>Read/Write/Change</b>
Storage policy	<b>Transient</b>
Allowed values	<b>FG_APPLY</b> Apply
Default value	<b>FG_APPLY</b>

Example 7.41. Usage of FG\_TRIGGER\_EXCEEDED\_PERIOD\_LIMITS\_CLEAR

```

int result = 0;
int value = FG_APPLY;
const enum FgParamTypes type = FG_PARAM_TYPE_INT32_T;

if ((result = Fg_setParameterWithType(fg, FG_TRIGGER_EXCEEDED_PERIOD_LIMITS_CLEAR, &value, 0, type)) < 0) {
    /* error handling */
}

if ((result = Fg_getParameterWithType(fg, FG_TRIGGER_EXCEEDED_PERIOD_LIMITS_CLEAR, &value, 0, type)) < 0) {
    /* error handling */
}

```

### 7.5.12.6.3. FG\_TRIGGEROUT\_STATS\_SOURCE

Table 7.43. Parameter properties of FG\_TRIGGEROUT\_STATS\_SOURCE

Property	Value
Name	<b>FG_TRIGGEROUT_STATS_SOURCE</b>
Display Name	<b>Trigger Out Statistics Source</b>
Type	<b>Enumeration</b>
Access policy	<b>Read/Write/Change</b>
Storage policy	<b>Persistent</b>
Allowed values	<b>PULSEGEN0</b> Pulse Generator 0 <b>PULSEGEN1</b> Pulse Generator 1 <b>PULSEGEN2</b> Pulse Generator 2 <b>PULSEGEN3</b> Pulse Generator 3
Default value	<b>PULSEGEN0</b>

Example 7.42. Usage of FG\_TRIGGEROUT\_STATS\_SOURCE

```

int result = 0;
int value = PULSEGEN0;
const enum FgParamTypes type = FG_PARAM_TYPE_INT32_T;

if ((result = Fg_setParameterWithType(fg, FG_TRIGGEROUT_STATS_SOURCE, &value, 0, type)) < 0) {
    /* error handling */
}

if ((result = Fg_getParameterWithType(fg, FG_TRIGGEROUT_STATS_SOURCE, &value, 0, type)) < 0) {
    /* error handling */
}

```

### 7.5.12.6.4. FG\_TRIGGEROUT\_STATS\_PULSECOUNT

Output pulse count read register. Select the source for the pulse counter by parameter **FG\_TRIGGEROUT\_STATS\_SOURCE**.



Table 7.44. Parameter properties of FG\_TRIGGEROUT\_STATS\_PULSECOUNT

Property	Value
Name	<b>FG_TRIGGEROUT_STATS_PULSECOUNT</b>
Display Name	<b>Trigger Out Statistics Pulse Count</b>
Type	<b>Unsigned Integer</b>
Access policy	<b>Read-Only</b>
Storage policy	<b>Transient</b>
Allowed values	<b>Minimum 0</b> <b>Maximum 65535</b> <b>Stepsize 1</b>
Unit of measure	<b>pulses</b>

Example 7.43. Usage of FG\_TRIGGEROUT\_STATS\_PULSECOUNT

```

int result = 0;
unsigned int value = 0;
const enum FgParamTypes type = FG_PARAM_TYPE_UINT32_T;

if ((result = Fg_getParameterWithType(fg, FG_TRIGGEROUT_STATS_PULSECOUNT, &value, 0, type)) < 0) {
    /* error handling */
}

```

### 7.5.12.6.5. FG\_TRIGGEROUT\_STATS\_PULSECOUNT\_CLEAR

Output pulse count register clear.

Table 7.45. Parameter properties of FG\_TRIGGEROUT\_STATS\_PULSECOUNT\_CLEAR

Property	Value
Name	<b>FG_TRIGGEROUT_STATS_PULSECOUNT_CLEAR</b>
Display Name	<b>Trigger Out Statistics Pulse Count Clear</b>
Type	<b>Enumeration</b>
Access policy	<b>Read/Write/Change</b>
Storage policy	<b>Transient</b>
Allowed values	<b>FG_APPLY</b> Apply
Default value	<b>FG_APPLY</b>

Example 7.44. Usage of FG\_TRIGGEROUT\_STATS\_PULSECOUNT\_CLEAR

```

int result = 0;
int value = FG_APPLY;
const enum FgParamTypes type = FG_PARAM_TYPE_INT32_T;

if ((result = Fg_setParameterWithType(fg, FG_TRIGGEROUT_STATS_PULSECOUNT_CLEAR, &value, 0, type)) < 0) {
    /* error handling */
}

if ((result = Fg_getParameterWithType(fg, FG_TRIGGEROUT_STATS_PULSECOUNT_CLEAR, &value, 0, type)) < 0) {
    /* error handling */
}

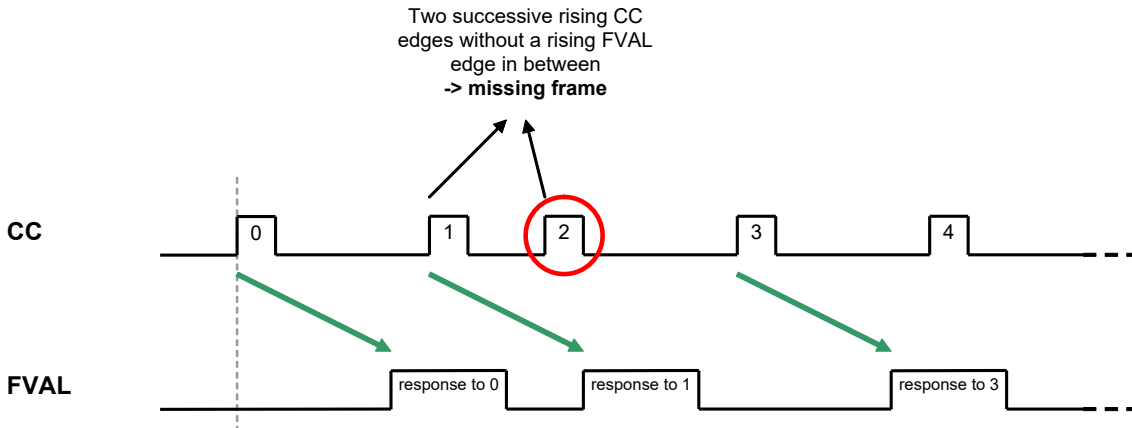
```

### 7.5.12.6.6. FG\_MISSING\_CAMERA\_FRAME\_RESPONSE

This applet is equipped with a detection of missing camera frame responses to trigger pulses. If the camera does not send a frame for each output trigger pulse, the register is set to **FG\_YES** until cleared by writing to parameter **FG\_MISSING\_CAMERA\_FRAME\_RESPONSE\_CLEAR**.

The idea of the frame loss detection is that for every trigger pulse generated by the trigger system, the camera sends a frame to the frame grabber. If a trigger pulse gets lost, or the camera cannot send a frame, this register is set to **FG\_YES**. Technically, between two output signal edges, an incoming image has to exist. Or in other words: There must not be two or more successive trigger start edges without a valid frame in between. The behavior depends on the camera timing and interface. For very high frame rates the latency of sending an image can get bigger so that the detection mechanism of missing responses is not working. In this case you cannot use this parameter to detect missing triggers. Use the trigger and frame counters instead. You can also use the CXP source tag and trigger acknowledges to detect lost frames or trigger. The following figure illustrates the behavior.

Figure 7.21. Missing Camera Frame Response



The pulse form generator allocated to the camera trigger signal line carrying the image trigger pulses has to be selected by *FG\_TRIGGEROUT\_STATS\_SOURCE*. The missing frame response system might not work correctly for all camera models due to different timings.



### Select Camera Control/Trigger Signal Line

Ensure you select the pulse form generator feeding the camera trigger signal line which carries the image trigger pulses by setting parameter *FG\_TRIGGEROUT\_STATS\_SOURCE* to the respective source.



### Acquisition Start Before Trigger Activation

You must start the acquisition before activating the trigger. Otherwise, the trigger pulses sent will get lost. Any changes of the camera configuration might result in invalid data transfers.



### Events for Missing Frame Response

If you want to monitor the exact moment of a missing frame response and the exact number of missing frames, use event *FG\_MISSING\_CAMO\_FRAME\_RESPONSE*.

Table 7.46. Parameter properties of *FG\_MISSING\_CAMERA\_FRAME\_RESPONSE*

Property	Value
Name	<b>FG_MISSING_CAMERA_FRAME_RESPONSE</b>
Display Name	<b>Missing Camera Frame Response</b>
Type	<b>Enumeration</b>
Access policy	<b>Read-Only</b>
Storage policy	<b>Transient</b>
Allowed values	<b>FG_YES</b> Yes <b>FG_NO</b> No

**Example 7.45. Usage of FG\_MISSING\_CAMERA\_FRAME\_RESPONSE**

```

int result = 0;
int value = FG_NO;
const enum FgParamTypes type = FG_PARAM_TYPE_INT32_T;

if ((result = Fg_getParameterWithType(fg, FG_MISSING_CAMERA_FRAME_RESPONSE, &value, 0, type)) < 0) {
    /* error handling */
}

```

**7.5.12.6.7. FG\_MISSING\_CAMERA\_FRAME\_RESPONSE\_CLEAR**

Clear the *FG\_MISSING\_CAMERA\_FRAME\_RESPONSE* flag by writing to this parameter.

Table 7.47. Parameter properties of FG\_MISSING\_CAMERA\_FRAME\_RESPONSE\_CLEAR

Property	Value
Name	<b>FG_MISSING_CAMERA_FRAME_RESPONSE_CLEAR</b>
Display Name	<b>Clear Missing Camera Frame Response Register</b>
Type	<b>Enumeration</b>
Access policy	<b>Read/Write/Change</b>
Storage policy	<b>Transient</b>
Allowed values	<b>FG_APPLY</b> Apply
Default value	<b>FG_APPLY</b>

**Example 7.46. Usage of FG\_MISSING\_CAMERA\_FRAME\_RESPONSE\_CLEAR**

```

int result = 0;
int value = FG_APPLY;
const enum FgParamTypes type = FG_PARAM_TYPE_INT32_T;

if ((result = Fg_setParameterWithType(fg, FG_MISSING_CAMERA_FRAME_RESPONSE_CLEAR, &value, 0, type)) < 0) {
    /* error handling */
}

if ((result = Fg_getParameterWithType(fg, FG_MISSING_CAMERA_FRAME_RESPONSE_CLEAR, &value, 0, type)) < 0) {
    /* error handling */
}

```

**7.5.12.6.8. FG\_TRIGGER\_EXCEEDED\_PERIOD\_LIMITS\_CAM0**

The event is generated for each lost input trigger pulse. A trigger loss can occur if the input frequency is higher than the maximum allowed frequency set by parameter *FG\_TRIGGER\_FRAMESPERSECOND*. If the trigger queue is enabled, the events will only be generated if the queue is full i.e. for overflows. In generator trigger modes, the events will not be generated. Except for the timestamp, the event has no additional data included.

For a general explanation on events see Event.

**7.5.12.6.9. FG\_MISSING\_CAM0\_FRAME\_RESPONSE**

The missing camera frame response event is generated for each camera output trigger pulse with no frame response. Please read the description of the detection and the documentation on how to configure the mechanism in Chapter 7.5.12.6.6.1 carefully. If the mechanism is compatible with the used camera and set up correct, the number of events is equal to the number of lost frames. Except for the timestamp, the event has no additional data included.

For a general explanation on events see Event.

**7.5.13. Output Event**

You can select one of the trigger outputs to generate a software event. i.e. a software callback function. Use parameter `FG_TRIGGER_OUTPUT_EVENT_SELECT` to specified the source pulse form generator for the event. The events name itself is `FG_TRIGGER_OUTPUT_CAM0`.

For a general explanation on events check Event.

### 7.5.13.1. FG\_TRIGGER\_OUTPUT\_EVENT\_SELECT

Select the source for the output event `FG_TRIGGER_OUTPUT_CAM0` with this register. One of the pulse form generators can be selected.

Table 7.48. Parameter properties of `FG_TRIGGER_OUTPUT_EVENT_SELECT`

Property	Value
Name	<code>FG_TRIGGER_OUTPUT_EVENT_SELECT</code>
Display Name	<b>Output Event Select</b>
Type	<b>Enumeration</b>
Access policy	<b>Read/Write/Change</b>
Storage policy	<b>Persistent</b>
Allowed values	<b>PULSEGEN0</b> Pulse Generator 0 <b>PULSEGEN1</b> Pulse Generator 1 <b>PULSEGEN2</b> Pulse Generator 2 <b>PULSEGEN3</b> Pulse Generator 3
Default value	<b>PULSEGEN0</b>

Example 7.47. Usage of `FG_TRIGGER_OUTPUT_EVENT_SELECT`

```

int result = 0;
int value = PULSEGEN0;
const enum FgParamTypes type = FG_PARAM_TYPE_INT32_T;

if ((result = Fg_setParameterWithType(fg, FG_TRIGGER_OUTPUT_EVENT_SELECT, &value, 0, type)) < 0) {
    /* error handling */
}

if ((result = Fg_getParameterWithType(fg, FG_TRIGGER_OUTPUT_EVENT_SELECT, &value, 0, type)) < 0) {
    /* error handling */
}

```

### 7.5.13.2. FG\_TRIGGER\_OUTPUT\_CAM0

This event is generated for each start of an output trigger pulse. The respective pulse form generator has to be selected by parameter `FG_TRIGGER_OUTPUT_EVENT_SELECT`. Except for the timestamp, the event has no additional data included. Keep in mind that a high output frequency can cause high interrupt rates which might slow down the system.

# Chapter 8. Overflow

The applet processes image data as fast as possible. Any image data sent by the camera is immediately processed and sent to the PC. The latency is minimal. In general, only one concurrent image line is stored and processed in the frame grabber. However, the transfer bandwidth to the PC via DMA channel can vary caused by interrupts, other hardware and the current CPU load. Furthermore, if operated in **selective mode**, it is possible to queue buffer slower than the camera offers new images and therefore generate an overflow condition on the frame grabber. Also, the camera frame rate can vary due to an fluctuating trigger. For these cases, the applet is equipped with a memory to buffer the input frames. The fill level of the buffer can be obtained by reading from parameter *FG\_FILLLEVEL*.

In normal operation conditions the buffer will always remain almost empty. For fluctuating camera bandwidths or for short and fast acquisitions, the buffer can easily fill up quickly. Of course, the input bandwidth must not exceed the maximum bandwidth of the applet. Check Section 1.2, 'Bandwidth' for more information.

If the buffer's fill level reaches 100%, the applet is in overflow condition, as no more data can be buffered and camera data will be discarded. This can result in two different behaviors:

- Corrupted Frames:

The transfer of a current frame is interrupted by an overflow. This means, the first pixels or lines of the frame were transferred into the buffer, but not the full frame. The output of the applet i.e. the DMA transfer will be shorter. The output image will not have it's full height. These images will be marked incomplete in the **FG\_IMAGE\_TAG** (bit 30 is set to '1').

- Lost Frames:

A full camera frame was discarded due to a full buffer memory. No DMA transfer will exist for the discarded frame. This means the number of applet output images can differ from the number of applet input images.

The buffer overflow threshold *FG\_OVERFLOW\_ON\_THRESHOLD* and *FG\_OVERFLOW\_ON\_SYNC\_THRESHOLD* default ensures that under normal conditions frames can be completed or will be fully dropped so that corrupted frames are avoided.

A way to detect the overflows is to read parameter *FG\_OVERFLOW* or check for event *FG\_OVERFLOW\_CAM0*. Reading from the parameter will provide information about an overflow condition. As soon as the parameter is read, it will reset. Using the parameter an overflow condition can be detected, but it is not possible to obtain the exact image number and the moment. For this, the overflow event can be used.

## 8.1. FG\_FILLLEVEL

The fill-level of the frame grabber buffers used in this applet can be read-out by use of this parameter. The value allows to check if the mean input bandwidth of the camera is too high to be processed with the applet.

Table 8.1. Parameter properties of *FG\_FILLLEVEL*

Property	Value
Name	<b>FG_FILLLEVEL</b>
Display Name	<b>Fill Level</b>
Type	<b>Unsigned Integer</b>
Access policy	<b>Read-Only</b>
Storage policy	<b>Transient</b>
Allowed values	<b>Minimum 0</b> <b>Maximum 100</b> <b>Stepsize 1</b>
Unit of measure	<b>%</b>

**Example 8.1. Usage of FG\_FILLLEVEL**

```
int result = 0;
unsigned int value = 0;
const enum FgParamTypes type = FG_PARAM_TYPE_UINT32_T;

if ((result = Fg_getParameterWithType(fg, FG_FILLLEVEL, &value, 0, type)) < 0) {
    /* error handling */
}
```

## 8.2. FG\_OVERFLOW

If the applet runs into overflow, a value "1" can be read by the use of this parameter. Note that an overflow results in loss of images. To avoid overflows reduce the mean input bandwidth.

The parameter is reset at each readout cycle. The program microDisplayX will continuously poll the value, thus the occurrence of an overflow might not be visible in microDisplayX.

A more effective and robust way is to detect overflows is the use of the event system.

Table 8.2. Parameter properties of FG\_OVERFLOW

Property	Value
Name	<b>FG_OVERFLOW</b>
Display Name	<b>Buffer overflow</b>
Type	<b>Unsigned Integer</b>
Access policy	<b>Read-Only</b>
Storage policy	<b>Transient</b>
Allowed values	<b>Minimum 0</b> <b>Maximum 1</b> <b>Stepsize 1</b>

**Example 8.2. Usage of FG\_OVERFLOW**

```
int result = 0;
unsigned int value = 0;
const enum FgParamTypes type = FG_PARAM_TYPE_UINT32_T;

if ((result = Fg_getParameterWithType(fg, FG_OVERFLOW, &value, 0, type)) < 0) {
    /* error handling */
}
```

## 8.3. FG\_OVERFLOW\_OFF\_THRESHOLD

The Overflow state will be deactivated once the buffer Fillevel (*FG\_FILLLEVEL*) will fall below this value. As long as the applet remains in overflow state all images arriving will be discarded. This will result in Overflow events with a set "lost" flag.

Table 8.3. Parameter properties of FG\_OVERFLOW\_OFF\_THRESHOLD

Property	Value
Name	<b>FG_OVERFLOW_OFF_THRESHOLD</b>
Display Name	<b>Overflow Off Threshold</b>
Type	<b>Double</b>
Access policy	<b>Read/Write/Change</b>
Storage policy	<b>Persistent</b>
Allowed values	<b>Minimum 0.0</b> <b>Maximum 100.0</b> <b>Stepsize 0.5</b>
Default value	<b>50.0</b>

Example 8.3. Usage of FG\_OVERFLOW\_OFF\_THRESHOLD

```

int result = 0;
double value = 50.0;
const enum FgParamTypes type = FG_PARAM_TYPE_DOUBLE;

if ((result = Fg_setParameterWithType(fg, FG_OVERFLOW_OFF_THRESHOLD, &value, 0, type)) < 0) {
    /* error handling */
}

if ((result = Fg_getParameterWithType(fg, FG_OVERFLOW_OFF_THRESHOLD, &value, 0, type)) < 0) {
    /* error handling */
}

```

## 8.4. FG\_OVERFLOW\_ON\_THRESHOLD

The applet will enter Overflow state once the buffer Fillevel exceeds this filllevel (*FG\_FILLLEVEL*). If the overflow state is active images will be stopped imidiately. This may lead to an incomplete frame. Incomplete frames are marked incomplete in the image Tag and an overflow event can be generated.

Table 8.4. Parameter properties of FG\_OVERFLOW\_ON\_THRESHOLD

Property	Value
Name	<b>FG_OVERFLOW_ON_THRESHOLD</b>
Display Name	<b>Overflow On Threshold</b>
Type	<b>Double</b>
Access policy	<b>Read/Write/Change</b>
Storage policy	<b>Persistent</b>
Allowed values	<b>Minimum 0.0</b> <b>Maximum 100.0</b> <b>Stepsize 0.5</b>
Default value	<b>99.5</b>

Example 8.4. Usage of FG\_OVERFLOW\_ON\_THRESHOLD

```

int result = 0;
double value = 99.5;
const enum FgParamTypes type = FG_PARAM_TYPE_DOUBLE;

if ((result = Fg_setParameterWithType(fg, FG_OVERFLOW_ON_THRESHOLD, &value, 0, type)) < 0) {
    /* error handling */
}

if ((result = Fg_getParameterWithType(fg, FG_OVERFLOW_ON_THRESHOLD, &value, 0, type)) < 0) {
    /* error handling */
}

```

## 8.5. FG\_OVERFLOW\_ON\_SYNC\_THRESHOLD

The applet will enter Overflow state once the buffer filllevel (*FG\_FILLLEVEL*) exceeds this filllevel and the currently arriving frame is stored to the buffer. If the applet remains in overflow state frames might be dropped. If the buffer falls below this filllevel frames are accepted again. There is no hysteresis for this threshold.

Table 8.5. Parameter properties of FG\_OVERFLOW\_ON\_SYNC\_THRESHOLD

Property	Value
Name	<b>FG_OVERFLOW_ON_SYNC_THRESHOLD</b>
Display Name	<b>Overflow Sync On Threshold</b>
Type	<b>Double</b>
Access policy	<b>Read/Write/Change</b>
Storage policy	<b>Persistent</b>
Allowed values	<b>Minimum 0.0</b> <b>Maximum 100.0</b> <b>Stepsize 0.5</b>
Default value	<b>80.0</b>

Example 8.5. Usage of FG\_OVERFLOW\_ON\_SYNC\_THRESHOLD

```

int result = 0;
double value = 80.0;
const enum FgParamTypes type = FG_PARAM_TYPE_DOUBLE;

if ((result = Fg_setParameterWithType(fg, FG_OVERFLOW_ON_SYNC_THRESHOLD, &value, 0, type)) < 0) {
    /* error handling */
}

if ((result = Fg_getParameterWithType(fg, FG_OVERFLOW_ON_SYNC_THRESHOLD, &value, 0, type)) < 0) {
    /* error handling */
}

```

## 8.6. FG\_OVERFLOW\_EVENT\_SELECT

The *FG\_OVERFLOW\_CAM0* Event. Allows to generate events if one of the following conditions is meet.



Table 8.6. Event select for *FG\_OVERFLOW\_CAM0*

Value	Description
<b>FG_OVERFLOW_EVENT_INCOMPLETE</b>	Each incomplete frame will generate an Event containing the information that the frame is incomplete and the frameID
<b>FG_OVERFLOW_EVENT_LOST</b>	Each lost frame will generate an Event containing the information that the frame is lost and the frameID
<b>FG_OVERFLOW_EVENT_INCOMPLETE_LOST</b>	Each lost or incomplete frame will generate an Event containing the information that the frame is lost/incomplete and the frameID
<b>FG_OVERFLOW_EVENT_OK</b>	Each correct frame will generate an Event containing the information that the frame is transferred correct and the frameID of the frame
<b>FG_OVERFLOW_EVENT_OK_INCOMPLETE</b>	Each incomplete or correct frame will generate an Event containing the information that the frame is correct or incomplete and the frameID
<b>FG_OVERFLOW_EVENT_OK_LOST</b>	Each lost or correct frame will generate an Event containing the information that the frame is correct or lost and the frameID
<b>FG_OVERFLOW_EVENT_ALL</b>	Each frame will generate an Event containing the status (lost, incomplete or correct) of the frame and the frameID

Table 8.7. Parameter properties of *FG\_OVERFLOW\_EVENT\_SELECT*

Property	Value
Name	<b>FG_OVERFLOW_EVENT_SELECT</b>
Display Name	<b>Overflow Event Select</b>
Type	<b>Enumeration</b>
Access policy	<b>Read/Write/Change</b>
Storage policy	<b>Persistent</b>
Allowed values	<b>FG_OVERFLOW_EVENT_INCOMPLETE</b> Incomplete <b>FG_OVERFLOW_EVENT_LOST</b> Lost <b>FG_OVERFLOW_EVENT_INCOMPLETE_LOST</b> Incomplete Lost <b>FG_OVERFLOW_EVENT_OK</b> OK <b>FG_OVERFLOW_EVENT_OK_INCOMPLETE</b> Incomplete OK <b>FG_OVERFLOW_EVENT_OK_LOST</b> Lost OK <b>FG_OVERFLOW_EVENT_ALL</b> All
Default value	<b>FG_OVERFLOW_EVENT_INCOMPLETE_LOST</b>

Example 8.6. Usage of *FG\_OVERFLOW\_EVENT\_SELECT*

```

int result = 0;
int value = FG_OVERFLOW_EVENT_INCOMPLETE_LOST;
const enum FgParamTypes type = FG_PARAM_TYPE_INT32_T;

if ((result = Fg_setParameterWithType(fg, FG_OVERFLOW_EVENT_SELECT, &value, 0, type)) < 0) {
    /* error handling */
}

if ((result = Fg_getParameterWithType(fg, FG_OVERFLOW_EVENT_SELECT, &value, 0, type)) < 0) {
    /* error handling */
}

```

## 8.7. Events

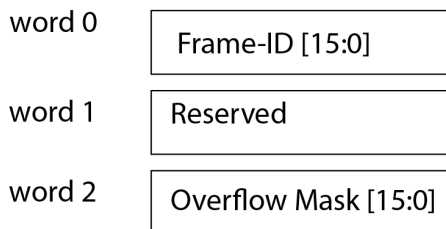
In programming or runtime environments, a callback function is a piece of executable code that is passed as an argument, which is expected to call back (execute) exactly that time an event is triggered. This applet can generate some software callback events based on the memory overflow condition as explained in the following section. These events are not related to a special camera functionality. Other event sources are described in additional sections of this document.

The Basler Framegrabber SDK and pylon SDK via GenTL enables an application to get these event notifications about certain state changes at the data flow from camera to RAM and the image and trigger processing as well. Please consult the Basler Framegrabber SDK, pylon SDK or GenTL documentation for more details concerning the implementation of this functionality.

### 8.7.1. FG\_OVERFLOW\_CAM0

Overflow events are generated for each truncated, lost or complete frame. The selection can be done using *FG\_OVERFLOW\_EVENT\_SELECT*. The overflow event contains data, namely the type of overflow, the image number and the timestamp. The following figure illustrates the event data. Data is contained in a 64-bit data packet. The first 16 bits contain the frame-ID from the camera. Bits 32 to 47 provide an overflow mask.

Figure 8.1. Illustration of Overflow Data Packet



#### Overflow Mask [15:0]

0	Frame is truncated
1	Frame is lost
2	Reserved
3	Frame is complete
4	Reserved
5	
6	
7	
8	
9	
10	
11	
12	
13	
14	
15	

Note that the frame-ID is taken from the camera stream. See Section 1.5, 'Frame ID' for more information. The frame-ID is a 16-bit value. If its maximum is reached, the frame-ID starts at zero again. If the **frame truncated** flag is set, the frame with the frame-ID in the event is truncated i.e. it doesn't have its full length but is still transferred via DMA channel. If the **frame lost** flag is set, the frame with the frame-ID in the event was fully discarded. No DMA transfer exists for this frame. The **truncated frame** flag and the **frame lost** flag never occur for the same event.

# Chapter 9. Image Selector

The Image Selector allows the user to cut out a period of  $p$  images from the image stream and select a particular image  $n$  from it.

The following example will explain the settings of  $p$  and  $n$  which represent the frame grabber parameters `FG_IMG_SELECT_PERIOD` and `FG_IMG_SELECT`. Suppose two frame grabbers being connected to a camera signal multiplexer, providing all camera images to both devices. Grabber 0 is required to process all even frames, while grabber 1 is required to process all odd frames. The settings will then be:

1. Grabber 0:
  - `FG_IMG_SELECT_PERIOD = 2`  
`FG_IMG_SELECT = 0`
2. Grabber 1:
  - `FG_IMG_SELECT_PERIOD = 2`  
`FG_IMG_SELECT = 1`

Ensure that both grabbers are used synchronously. This is possible with a triggered camera. To do so, initialize and configure both frame grabbers. Configure the camera for external trigger and the trigger system of master grabber which is directly connected to the camera. Next, the acquisitions of both grabbers have to be started and finally, the trigger generation has to be enabled, generally by setting `FG_TRIGGERSTATE` to active. Now the camera will start sending image data and the grabbers acquire those synchronously. More information can be found in the trigger chapter Chapter 7, 'Trigger'.

## 9.1. FG\_IMG\_SELECT\_PERIOD

This parameter specifies the period length  $p$ . The parameter can be changed at any time. However, changing during acquisition can result in an asynchronous switching which will result in the loss of a synchronous grabbing. It is recommended to change the parameter only when the acquisition is stopped.

The parameter's value has to be greater than `FG_IMG_SELECT`.

Table 9.1. Parameter properties of `FG_IMG_SELECT_PERIOD`

Property	Value
Name	<code>FG_IMG_SELECT_PERIOD</code>
Display Name	<b>Image Select Period</b>
Type	<b>Unsigned Integer</b>
Access policy	<b>Read/Write/Change</b>
Storage policy	<b>Persistent</b>
Allowed values	<b>Minimum 1</b> <b>Maximum 256</b> <b>Stepsize 1</b>
Default value	<b>1</b>
Unit of measure	<b>image</b>

Example 9.1. Usage of `FG_IMG_SELECT_PERIOD`

```
int result = 0;
unsigned int value = 1;
const enum FgParamTypes type = FG_PARAM_TYPE_UINT32_T;
```

---

```

if ((result = Fg_setParameterWithType(fg, FG_IMG_SELECT_PERIOD, &value, 0, type)) < 0) {
    /* error handling */
}

if ((result = Fg_getParameterWithType(fg, FG_IMG_SELECT_PERIOD, &value, 0, type)) < 0) {
    /* error handling */
}

```

---

## 9.2. FG\_IMG\_SELECT

The parameter *FG\_IMG\_SELECT* specifies a particular image from the image set defined by *FG\_IMG\_SELECT\_PERIOD*. This parameter can be changed at any time. However, changing during acquisition can result in an asynchronous switching which will result in the loss of a synchronous grabbing. It is recommended to change the parameter only when the acquisition is stopped.

The parameter's value has to be less than *FG\_IMG\_SELECT\_PERIOD*.

Table 9.2. Parameter properties of *FG\_IMG\_SELECT*

Property	Value
Name	<b>FG_IMG_SELECT</b>
Display Name	<b>Image Select</b>
Type	<b>Unsigned Integer</b>
Access policy	<b>Read/Write/Change</b>
Storage policy	<b>Persistent</b>
Allowed values	<b>Minimum 0</b> <b>Maximum 255</b> <b>Stepsize 1</b>
Default value	<b>0</b>
Unit of measure	<b>image</b>

Example 9.2. Usage of *FG\_IMG\_SELECT*

---

```

int result = 0;
unsigned int value = 0;
const enum FgParamTypes type = FG_PARAM_TYPE_UINT32_T;

if ((result = Fg_setParameterWithType(fg, FG_IMG_SELECT, &value, 0, type)) < 0) {
    /* error handling */
}

if ((result = Fg_getParameterWithType(fg, FG_IMG_SELECT, &value, 0, type)) < 0) {
    /* error handling */
}

```

---

# Chapter 10. White Balance

The applet enables a spectral adaptation of the image to the lighting situation of the application. The color values for the red, green and blue components can be individually enhanced or reduced by a scaling factor to adjust the spectral sensibility of the camera sensor.

The applet Acq\_SingleCXP12Area performs a Bayer de-mosaicing. The white balancing is performed prior to the Bayer de-mosaicing, to ensure the correction of the raw data and avoid subsequent faults during processing.

## 10.1. FG\_SCALINGFACTOR\_GREEN

Table 10.1. Parameter properties of FG\_SCALINGFACTOR\_GREEN

Property	Value
Name	FG_SCALINGFACTOR_GREEN
Display Name	Scaling Factor Green
Type	Double
Access policy	Read/Write/Change
Storage policy	Persistent
Allowed values	Minimum 0.0 Maximum 3.9990234375 Stepsize 9.765625E-4
Default value	1.0

Example 10.1. Usage of FG\_SCALINGFACTOR\_GREEN

```
int result = 0;
double value = 1.0;
const enum FgParamTypes type = FG_PARAM_TYPE_DOUBLE;

if ((result = Fg_setParameterWithType(fg, FG_SCALINGFACTOR_GREEN, &value, 0, type)) < 0) {
    /* error handling */
}

if ((result = Fg_getParameterWithType(fg, FG_SCALINGFACTOR_GREEN, &value, 0, type)) < 0) {
    /* error handling */
}
```

## 10.2. FG\_SCALINGFACTOR\_RED

Table 10.2. Parameter properties of FG\_SCALINGFACTOR\_RED

Property	Value
Name	FG_SCALINGFACTOR_RED
Display Name	Scaling Factor Red
Type	Double
Access policy	Read/Write/Change
Storage policy	Persistent
Allowed values	Minimum 0.0 Maximum 3.9990234375 Stepsize 9.765625E-4
Default value	1.0

**Example 10.2. Usage of FG\_SCALINGFACTOR\_RED**

```

int result = 0;
double value = 1.0;
const enum FgParamTypes type = FG_PARAM_TYPE_DOUBLE;

if ((result = Fg_setParameterWithType(fg, FG_SCALINGFACTOR_RED, &value, 0, type)) < 0) {
    /* error handling */
}

if ((result = Fg_getParameterWithType(fg, FG_SCALINGFACTOR_RED, &value, 0, type)) < 0) {
    /* error handling */
}

```

**10.3. FG\_SCALINGFACTOR\_BLUE**

Table 10.3. Parameter properties of FG\_SCALINGFACTOR\_BLUE

Property	Value
Name	<b>FG_SCALINGFACTOR_BLUE</b>
Display Name	<b>Scaling Factor Blue</b>
Type	<b>Double</b>
Access policy	<b>Read/Write/Change</b>
Storage policy	<b>Persistent</b>
Allowed values	<b>Minimum 0.0</b> <b>Maximum 3.9990234375</b> <b>Stepsize 9.765625E-4</b>
Default value	<b>1.0</b>

**Example 10.3. Usage of FG\_SCALINGFACTOR\_BLUE**

```

int result = 0;
double value = 1.0;
const enum FgParamTypes type = FG_PARAM_TYPE_DOUBLE;

if ((result = Fg_setParameterWithType(fg, FG_SCALINGFACTOR_BLUE, &value, 0, type)) < 0) {
    /* error handling */
}

if ((result = Fg_getParameterWithType(fg, FG_SCALINGFACTOR_BLUE, &value, 0, type)) < 0) {
    /* error handling */
}

```

---

# Chapter 11. Color Converter

The color converter module is used to convert the input pixel format to an output pixel format. The conversion is performed post to the Bayer de-mosicing and just before the lookup table.

This applet can perform the following conversions.

Table 11.1. Color Conversion

Input Format	Mono	RGB	Bayer	YCbCr
Output Format				
Mono	yes	yes	yes	N/A
RGB	yes	yes	yes	N/A
Bayer	N/A	N/A	yes	N/A
YCbCr	N/A	N/A	N/A	yes

By setting the input and output format the conversion is automatically applied if a conversion is possible. Otherwise the applet will output unchanged values. See *FG\_PIXELFORMAT* and *FG\_FORMAT*.

# Chapter 12. Lookup Table

This Acquisition Applet includes a full resolution lookup table (LUT) for each of the three color components. Settings are applied to the acquired images just before transferring them to the host PC. Thus, it is the last pre-processing step on the frame grabber.

A lookup table includes one entry for every allowed input pixel value. The pixel value will be replaced by the value of the lookup table element. In other words, a new value is assigned to each pixel value. This can be used for image quality enhancements such as an added offset, a gain factor or gamma correction which can be performed by use of the processing module of this applet in a convenient way (see Module Chapter 13, 'Processing'). The lookup table can also be loaded with custom values. Application areas are custom image enhancements or correct pixel classifications.

This applet is processing data with an internal resolution of 16 bits. But the lookup table has 14 input bits i.e. pixel values can be in the range [0, 16383]. For each of these 16383 elements, a table entry exists containing a new output value. The new values are in the range from 0 to 65536. All color components are treated separately. Since this applet uses 16 bit internally, consider that all values need to represent this value range. This LUT is applied to all pixel values before *FG\_FORMAT* is applied. The input values for the LUT are aligned to the most significant bit (MSB).

In the following the parameters to use the lookup table are explained. Parameter *FG\_LUT\_TYPE* is important to be set correctly as it defines the lookup table operation mode.

## 12.1. FG\_LUT\_ENABLE

It is possible to disable the functionality of this lookup table. The internal processor enables a convenient way to improve the image quality using parameters such as offset, gain and gamma. By disabling the lookup table the processing functions are not available anymore. See category Chapter 13, 'Processing' for a more detailed documentation concerning this. Set this parameter to **FG\_ON** to use the look up table. By default it is set to **FG\_OFF** disabling the lookup table functionality itself and the related processing functions.

Table 12.1. Parameter properties of FG\_LUT\_ENABLE

Property	Value
Name	<b>FG_LUT_ENABLE</b>
Display Name	<b>Enabled</b>
Type	<b>Enumeration</b>
Access policy	<b>Read/Write/Change</b>
Storage policy	<b>Persistent</b>
Allowed values	<b>FG_ON</b> On <b>FG_OFF</b> Off
Default value	<b>FG_OFF</b>

Example 12.1. Usage of FG\_LUT\_ENABLE

```
int result = 0;
int value = FG_OFF;
const enum FgParamTypes type = FG_PARAM_TYPE_INT32_T;

if ((result = Fg_setParameterWithType(fg, FG_LUT_ENABLE, &value, 0, type)) < 0) {
    /* error handling */
}

if ((result = Fg_getParameterWithType(fg, FG_LUT_ENABLE, &value, 0, type)) < 0) {
    /* error handling */
}
```



## 12.2. FG\_LUT\_TYPE

There exist two basic possibilities to use and configure the lookup table. One possibility is to use the internal processor which allows a convenient way to improve the image quality using parameters such as offset, gain and gamma. Check category Chapter 13, 'Processing' for more detailed documentation. Set this parameter to **LUT\_TYPE\_PROCESSING** to use the processor.

The second possibility to use the lookup table is to load a file containing custom values to the lookup table. Set the parameter to **LUT\_TYPE\_CUSTOM** to enable the possibility to load a custom file with lookup table entries.

Beside these two possibilities it is always possible to directly write to the lookup table entries using the field parameters *FG\_LUT\_VALUE\_RED*, *FG\_LUT\_VALUE\_GREEN* and *FG\_LUT\_VALUE\_BLUE*. The use of these parameters will overwrite the settings made with the processor or the custom input file. Vice versa, changing a processing parameter or loading a custom lookup table file, will overwrite the settings made by the field parameters.

Table 12.2. Parameter properties of FG\_LUT\_TYPE

Property	Value
Name	<b>FG_LUT_TYPE</b>
Display Name	<b>Type</b>
Type	<b>Enumeration</b>
Access policy	<b>Read/Write/Change</b>
Storage policy	<b>Persistent</b>
Allowed values	<b>LUT_TYPE_PROCESSING</b> Processor <b>LUT_TYPE_CUSTOM</b> User File
Default value	<b>LUT_TYPE_PROCESSING</b>

Example 12.2. Usage of FG\_LUT\_TYPE

```
int result = 0;
int value = LUT_TYPE_PROCESSING;
const enum FgParamTypes type = FG_PARAM_TYPE_INT32_T;

if ((result = Fg_setParameterWithType(fg, FG_LUT_TYPE, &value, 0, type)) < 0) {
    /* error handling */
}

if ((result = Fg_getParameterWithType(fg, FG_LUT_TYPE, &value, 0, type)) < 0) {
    /* error handling */
}
```

## 12.3. FG\_LUT\_VALUE

Table 12.3. Parameter properties of FG\_LUT\_VALUE

Property	Value
Name	<b>FG_LUT_VALUE</b>
Display Name	<b>LUT Values</b>
Type	<b>Unsigned Integer Field</b>
Field Size	<b>16384</b>
Access policy	<b>Read/Write/Change</b>
Storage policy	<b>Transient</b>
Default value	<b>0</b>

**Example 12.3. Usage of FG\_LUT\_VALUE**

```

int result = 0;

FieldParameterInt access;
const enum FgParamTypes type = FG_PARAM_TYPE_STRUCT_FIELDPARAMINT;

for (unsigned int i = 0; i < 16384; ++i)
{
    access.index = i;
    access.value = 0;

    if ((result = Fg_setParameterWithType(fg, FG_LUT_VALUE, &access, 0, type)) < 0) {
        /* error handling */
    }

    if ((result = Fg_getParameterWithType(fg, FG_LUT_VALUE, &access, 0, type)) < 0) {
        /* error handling */
    }
}

```

## 12.4. FG\_LUT\_VALUE\_RED

Table 12.4. Parameter properties of FG\_LUT\_VALUE\_RED

Property	Value
Name	FG_LUT_VALUE_RED
Display Name	Red LUT Values
Type	Unsigned Integer Field
Field Size	16384
Access policy	Read/Write/Change
Storage policy	Transient
Default value	0

**Example 12.4. Usage of FG\_LUT\_VALUE\_RED**

```

int result = 0;

FieldParameterInt access;
const enum FgParamTypes type = FG_PARAM_TYPE_STRUCT_FIELDPARAMINT;

for (unsigned int i = 0; i < 16384; ++i)
{
    access.index = i;
    access.value = 0;

    if ((result = Fg_setParameterWithType(fg, FG_LUT_VALUE_RED, &access, 0, type)) < 0) {
        /* error handling */
    }

    if ((result = Fg_getParameterWithType(fg, FG_LUT_VALUE_RED, &access, 0, type)) < 0) {
        /* error handling */
    }
}

```

## 12.5. FG\_LUT\_VALUE\_GREEN

Table 12.5. Parameter properties of FG\_LUT\_VALUE\_GREEN

Property	Value
Name	FG_LUT_VALUE_GREEN
Display Name	Green LUT Values
Type	Unsigned Integer Field
Field Size	16384
Access policy	Read/Write/Change
Storage policy	Transient
Default value	0

Example 12.5. Usage of FG\_LUT\_VALUE\_GREEN

```
int result = 0;

FieldParameterInt access;
const enum FgParamTypes type = FG_PARAM_TYPE_STRUCT_FIELDPARAMINT;

for (unsigned int i = 0; i < 16384; ++i)
{
    access.index = i;
    access.value = 0;

    if ((result = Fg_setParameterWithType(fg, FG_LUT_VALUE_GREEN, &access, 0, type)) < 0) {
        /* error handling */
    }

    if ((result = Fg_getParameterWithType(fg, FG_LUT_VALUE_GREEN, &access, 0, type)) < 0) {
        /* error handling */
    }
}
```

## 12.6. FG\_LUT\_VALUE\_BLUE

Table 12.6. Parameter properties of FG\_LUT\_VALUE\_BLUE

Property	Value
Name	FG_LUT_VALUE_BLUE
Display Name	Blue LUT Values
Type	Unsigned Integer Field
Field Size	16384
Access policy	Read/Write/Change
Storage policy	Transient
Default value	0

Example 12.6. Usage of FG\_LUT\_VALUE\_BLUE

```
int result = 0;

FieldParameterInt access;
const enum FgParamTypes type = FG_PARAM_TYPE_STRUCT_FIELDPARAMINT;

for (unsigned int i = 0; i < 16384; ++i)
{
    access.index = i;
    access.value = 0;

    if ((result = Fg_setParameterWithType(fg, FG_LUT_VALUE_BLUE, &access, 0, type)) < 0) {
        /* error handling */
    }
}
```

```

if ((result = Fg_getParameterWithType(fg, FG_LUT_VALUE_BLUE, &access, 0, type)) < 0) {
    /* error handling */
}
}

```

---

## 12.7. FG\_LUT\_CUSTOM\_FILE

If parameter *FG\_LUT\_TYPE* is set to **LUT\_TYPE\_CUSTOM**, the according path and filename to the file containing the custom lookup table entries can be set here. If the file is valid, the file values will be loaded to the lookup table. If the file is invalid, the call to this parameter will return an error.

A convenient way of getting a draft file, is to save the current lookup table settings to file using parameter *FG\_LUT\_SAVE\_FILE*.

Please make sure to activate the Type of LUT *FG\_LUT\_TYPE* to "UserFile"/**LUT\_TYPE\_CUSTOM** in order to make the changes and file names taking effect.

This section describes the file formats which are in use to fill the so called look-up tables (LUT). The purpose of a LUT is a transformation of pixel values from a input (source) image to the pixel values of an output image. This transformation is done by a kind of table, which contains the assignment between these pixel values (input pixel values - output pixel values). Basically the LUT is defined for gray format and color formats as well. When defining a LUT for color formats, the definition of tables has to be done for each color component. The LUT file format consists of 2 parts:

- Header section containing control and description information.
- Main section containing the assignment table for transforming pixel values form a source (input) image to a destination (output) image.

The following example shows how a grey scale lookup table description could look like:

---

```

# Lut data file v1.1
id=3;
nrOfElements=4096;
format=0;
number=0;
0,0;
1,1;
2,2;
3,3;
4,4;
5,5;
6,6;
...
4095,4095;

```

---

### General Properties:

- File format extension should be ".lut"
- LUT file format is an ASCII file format consisting of multiple lines of data.
- Lines are defined by a line separator a <CR> <LF> line feed (0x3D 0x0D 0x0A).
- Lines consist of key / value pairs. Key and value are separated by "=". The value has to be followed by a semicolon ; (0x3B)
- Formats consist of header data, containing control information and the assignment table for a specific color component (gray / red, green, blue).
- Basically the LUT file color format follows the same rules as the gray image format. In addition, due to the fact, that each color component can has its own transformation, the definitions are repeated for each color component.

The following example shows how a color scale lookup table description could look like:

```
# Lut data file v1.1
[red]
id=0;
nrOfElements=256;
format=0;
number=0;
0,0;
1,1;
..
255,255;
[green]
id=1;
nrOfElements=256;
format=0;
number=0;
0,0;
1,1;
..
255,255;
[blue]
id=2;
nrOfElements=256;
format=0;
number=0;
0,0;
1,1;
..
255,255;
```

A more detailed explanation of the lookup table file format can be found in the Basler Framegrabber API manual.

Table 12.7. Parameter properties of FG\_LUT\_CUSTOM\_FILE

Property	Value
Name	FG_LUT_CUSTOM_FILE
Display Name	Load File
Type	String
Access policy	Read/Write/Change
Storage policy	Persistent
Default value	""

Example 12.7. Usage of FG\_LUT\_CUSTOM\_FILE

```
int result = 0;
char* value = "";
const enum FgParamTypes type = FG_PARAM_TYPE_CHAR_PTR;

if ((result = Fg_setParameterWithType(fg, FG_LUT_CUSTOM_FILE, &value, 0, type)) < 0) {
    /* error handling */
}

if ((result = Fg_getParameterWithType(fg, FG_LUT_CUSTOM_FILE, &value, 0, type)) < 0) {
    /* error handling */
}
```

## 12.8. FG\_LUT\_SAVE\_FILE

To save the current lookup table configuration to a file, write the according output filename to this parameter. Keep in mind that you need to have full write access to the specified path.

Writing the current lookup table settings to a file is also a convenient way to exploit the settings made by the processor. Moreover, you will get a draft version of the lookup table file format. The values in the output file can directly be used to be loaded to the lookup table again using parameter *FG\_LUT\_CUSTOM\_FILE*.

Table 12.8. Parameter properties of FG\_LUT\_SAVE\_FILE

Property	Value
Name	FG_LUT_SAVE_FILE
Display Name	Save File
Type	String
Access policy	Read/Write/Change
Storage policy	Transient
Default value	""

Example 12.8. Usage of FG\_LUT\_SAVE\_FILE

```

int result = 0;
char* value = "";
const enum FgParamTypes type = FG_PARAM_TYPE_CHAR_PTR;

if ((result = Fg_setParameterWithType(fg, FG_LUT_SAVE_FILE, &value, 0, type)) < 0) {
    /* error handling */
}

if ((result = Fg_getParameterWithType(fg, FG_LUT_SAVE_FILE, &value, 0, type)) < 0) {
    /* error handling */
}

```

## 12.9. Applet Properties

In the following, some properties of the lookup table implementation are listed.

### 12.9.1. FG\_LUT\_IMPLEMENTATION\_TYPE

In this applet, a full lookup table is implemented and can be setup in a custom way. By default a linear representation is performed.

Table 12.9. Parameter properties of FG\_LUT\_IMPLEMENTATION\_TYPE

Property	Value
Name	FG_LUT_IMPLEMENTATION_TYPE
Display Name	LUT Implementation Type
Type	Enumeration
Access policy	Read-Only
Storage policy	Transient
Allowed values	LUT_IMPLEMENTATION_FULL_LUT LUT_IMPLEMENTATION_KNEELUT

Example 12.9. Usage of FG\_LUT\_IMPLEMENTATION\_TYPE

```

int result = 0;
int value = LUT_IMPLEMENTATION_FULL_LUT;
const enum FgParamTypes type = FG_PARAM_TYPE_INT32_T;

if ((result = Fg_getParameterWithType(fg, FG_LUT_IMPLEMENTATION_TYPE, &value, 0, type)) < 0) {
    /* error handling */
}

```

### 12.9.2. FG\_LUT\_IN\_BITS

This applet is using 14 lookup table input bits.

Table 12.10. Parameter properties of FG\_LUT\_IN\_BITS

Property	Value
Name	<b>FG_LUT_IN_BITS</b>
Display Name	<b>LUT Input Pixel Bit Depth</b>
Type	<b>Unsigned Integer</b>
Access policy	<b>Read-Only</b>
Storage policy	<b>Transient</b>
Allowed values	<b>Minimum 0</b> <b>Maximum 16</b> <b>Stepsize 1</b>
Unit of measure	<b>bit</b>

Example 12.10. Usage of FG\_LUT\_IN\_BITS

```
int result = 0;
unsigned int value = 0;
const enum FgParamTypes type = FG_PARAM_TYPE_UINT32_T;

if ((result = Fg_getParameterWithType(fg, FG_LUT_IN_BITS, &value, 0, type)) < 0) {
    /* error handling */
}
```

### 12.9.3. FG\_LUT\_OUT\_BITS

This applet is using 16 lookup table output bits.

Table 12.11. Parameter properties of FG\_LUT\_OUT\_BITS

Property	Value
Name	<b>FG_LUT_OUT_BITS</b>
Display Name	<b>LUT Output Pixel Bit Depth</b>
Type	<b>Unsigned Integer</b>
Access policy	<b>Read-Only</b>
Storage policy	<b>Transient</b>
Allowed values	<b>Minimum 0</b> <b>Maximum 16</b> <b>Stepsize 1</b>
Unit of measure	<b>bit</b>

Example 12.11. Usage of FG\_LUT\_OUT\_BITS

```
int result = 0;
unsigned int value = 0;
const enum FgParamTypes type = FG_PARAM_TYPE_UINT32_T;

if ((result = Fg_getParameterWithType(fg, FG_LUT_OUT_BITS, &value, 0, type)) < 0) {
    /* error handling */
}
```

# Chapter 13. Processing

A convenient way to improve the image quality are the processing parameters. Using these parameters an offset, gain and gamma correction can be performed. Moreover, the image can be inverted.



## Processor Activation

The processing parameters use the lookup table for determination of the correction values. For activation of the processing parameters, set *FG\_LUT\_TYPE* of category lookup table to **LUT\_TYPE\_PROCESSING**. Otherwise, parameter changes will have no effect.

All transformations apply in the following order:

1. Offset Correction, range [-1.0, +1.0], identity = 0
2. Gain Correction, range [0, 2<sup>14</sup>], identity = 1.0
3. Gamma Correction, range ]0, inf], identity = 1.0
4. Invert, identity = 'off'

In this applet, a full lookup table with m = 14 input bits and n = 16 outputs bits is used to perform the corrections. Values are determined by

Equation 13.1. LUT Processor without Inversion

$$Output(x) = \left[ \left[ gain * \left( \frac{x}{2^{14} - 1} + offset \right) \right]^{\frac{1}{gamma}} \right] * (2^{16} - 1).$$

If the inversion is used, output values are determined by

Equation 13.2. LUT Processor with Inversion

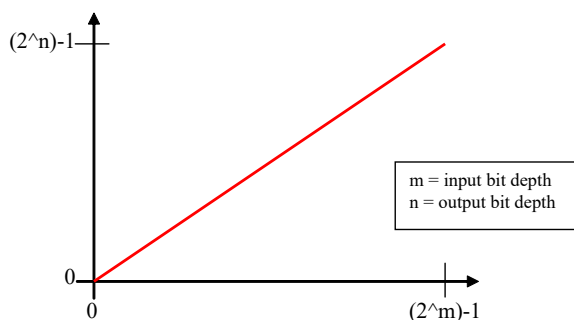
$$Output(x) = 2^{16} - 1 - \left[ \left[ gain * \left( \frac{x}{2^{14} - 1} + offset \right) \right]^{\frac{1}{gamma}} \right] * (2^{16} - 1),$$

where x represents the input pixel value i.e. is in the range from 0 to 2<sup>14</sup> - 1. If the determined output value is less than 0, it will be set to 0. If the determined output value is greater than 2<sup>16</sup> - 1 it is set to 2<sup>16</sup> - 1.

This applet processes each color component separately using the same processing parameters for each component.

If no parameters are changed, i.e. they are set to identity, the output values will be equal to the input values as shown in the figure below. In the following, you will find detailed explanations for all processing parameters.

Figure 13.1. Lookup Table Processing: Identity





## 13.1. FG\_PROCESSING\_OFFSET

The offset is a relative value added to each pixel, which leads to a behavior similar to a brightness controller. A relative offset means, that e. g. 0.5 adds half of the total brightness to each pixel. In absolute numbers when using 8 bit/pixel, 128 is added to each pixel ( $0.5 \times 255 = 127.5$ ). If you rather want to add an absolute value to each pixel do the following calculation: e. g. add -51 to an 8 bit/pixel offset =  $-51 / 255 = -0.2$ . Figure 13.2 shows an example of an offset.

Figure 13.2. Lookup Table Processing: Offset

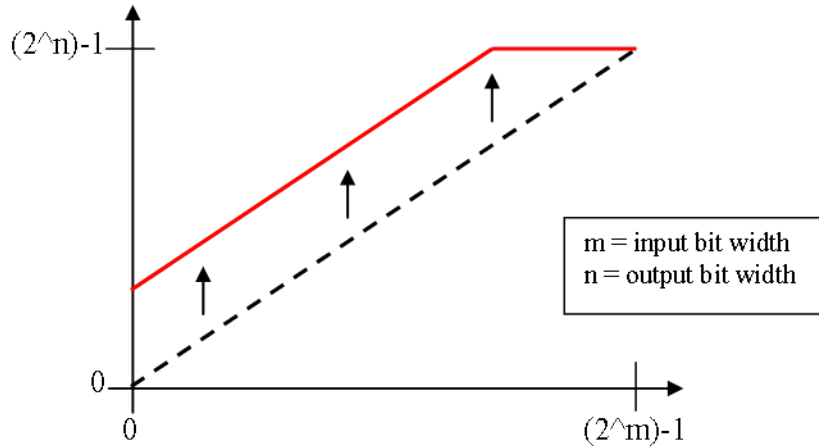


Table 13.1. Parameter properties of FG\_PROCESSING\_OFFSET

Property	Value
Name	FG_PROCESSING_OFFSET
Display Name	Offset
Type	Double
Access policy	Read/Write/Change
Storage policy	Persistent
Allowed values	<b>Minimum</b> -1.0 <b>Maximum</b> 1.0 <b>Stepsize</b> 2.220446049250313E-16
Default value	0.0

Example 13.1. Usage of FG\_PROCESSING\_OFFSET

```

int result = 0;
double value = 0.0;
const enum FgParamTypes type = FG_PARAM_TYPE_DOUBLE;

if ((result = Fg_setParameterWithType(fg, FG_PROCESSING_OFFSET, &value, 0, type)) < 0) {
    /* error handling */
}

if ((result = Fg_getParameterWithType(fg, FG_PROCESSING_OFFSET, &value, 0, type)) < 0) {
    /* error handling */
}

```

## 13.2. FG\_PROCESSING\_GAIN

The gain is a multiplicative coefficient applied to each pixel, which leads to a behavior similar to a contrast controller. Each pixel value will be multiplied with the given value. For identity select value 1.0.

Figure 13.3. Lookup Table Processing: Gain

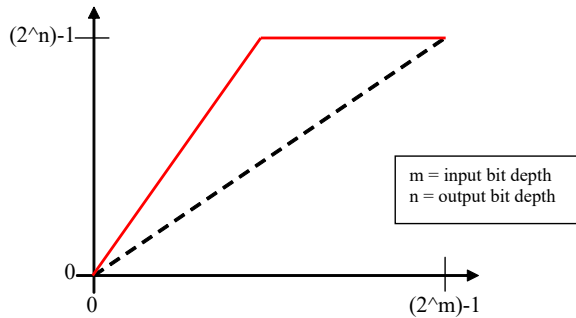


Table 13.2. Parameter properties of FG\_PROCESSING\_GAIN

Property	Value
Name	FG_PROCESSING_GAIN
Display Name	Gain
Type	Double
Access policy	Read/Write/Change
Storage policy	Persistent
Allowed values	<b>Minimum</b> 0.0 <b>Maximum</b> 16384.0 <b>Stepsize</b> 2.220446049250313E-16
Default value	1.0

Example 13.2. Usage of FG\_PROCESSING\_GAIN

```

int result = 0;
double value = 1.0;
const enum FgParamTypes type = FG_PARAM_TYPE_DOUBLE;

if ((result = Fg_setParameterWithType(fg, FG_PROCESSING_GAIN, &value, 0, type)) < 0) {
    /* error handling */
}

if ((result = Fg_getParameterWithType(fg, FG_PROCESSING_GAIN, &value, 0, type)) < 0) {
    /* error handling */
}

```

### 13.3. FG\_PROCESSING\_GAMMA

The gamma correction is a power-law transformation applied to each pixel. Normalized pixel values  $p$  ranging  $[0, 1.0]$  transform like  $p' = p^{1/\text{gamma}}$ .

Figure 13.4. Lookup Table Processing: Gamma

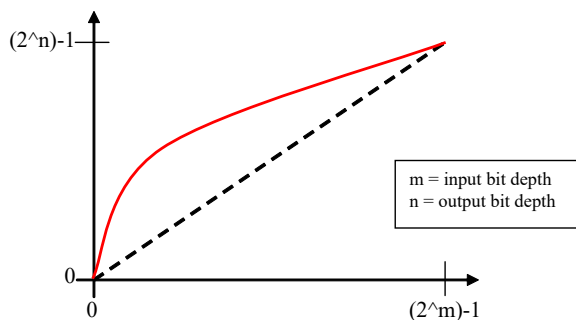


Table 13.3. Parameter properties of FG\_PROCESSING\_GAMMA

Property	Value
Name	<b>FG_PROCESSING_GAMMA</b>
Display Name	<b>Gamma</b>
Type	<b>Double</b>
Access policy	<b>Read/Write/Change</b>
Storage policy	<b>Persistent</b>
Allowed values	<b>Minimum -1000.0</b> <b>Maximum 1000.0</b> <b>Stepsize 2.220446049250313E-16</b>
Default value	<b>1.0</b>

Example 13.3. Usage of FG\_PROCESSING\_GAMMA

```

int result = 0;
double value = 1.0;
const enum FgParamTypes type = FG_PARAM_TYPE_DOUBLE;

if ((result = Fg_setParameterWithType(fg, FG_PROCESSING_GAMMA, &value, 0, type)) < 0) {
    /* error handling */
}

if ((result = Fg_getParameterWithType(fg, FG_PROCESSING_GAMMA, &value, 0, type)) < 0) {
    /* error handling */
}

```

## 13.4. FG\_PROCESSING\_INVERT

When *FG\_PROCESSING\_INVERT* is set to **FG\_ON**, the output is the negative of the input. Normalized pixel values  $p$  ranging  $[0, 1.0]$  transform to  $p' = 1 - p$ .

Figure 13.5. Lookup Table Processing: Invert

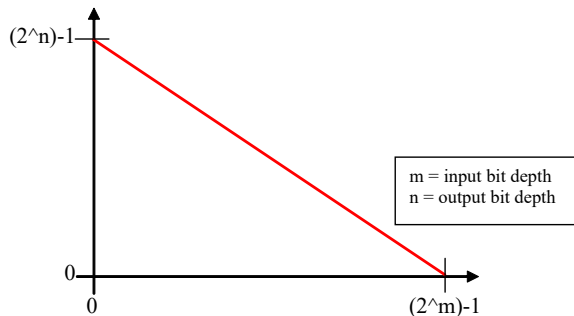


Table 13.4. Parameter properties of FG\_PROCESSING\_INVERT

Property	Value
Name	<b>FG_PROCESSING_INVERT</b>
Display Name	<b>Invert</b>
Type	<b>Enumeration</b>
Access policy	<b>Read/Write/Change</b>
Storage policy	<b>Persistent</b>
Allowed values	<b>FG_ON On</b> <b>FG_OFF Off</b>
Default value	<b>FG_OFF</b>

**Example 13.4. Usage of FG\_PROCESSING\_INVERT**

---

```
int result = 0;
int value = FG_OFF;
const enum FgParamTypes type = FG_PARAM_TYPE_INT32_T;

if ((result = Fg_setParameterWithType(fg, FG_PROCESSING_INVERT, &value, 0, type)) < 0) {
    /* error handling */
}

if ((result = Fg_getParameterWithType(fg, FG_PROCESSING_INVERT, &value, 0, type)) < 0) {
    /* error handling */
}
```

---

---

# Chapter 14. Output Format

The following parameter can be used to configure the applet's image output format i.e. the format and bit alignment.

## 14.1. FG\_FORMAT

Parameter *FG\_FORMAT* is used to set and determine the output formats of the DMA channels. An output format value specifies the number of bits and the color format of the output.

This applet has an internal processing bit width of 16 bits. Any selected camera pixel format is mapped to this internal bit width. Check the camera parameter section to learn about the mapping of the camera bits to the internal bit width. For a definition on how to map the internal bits to the output bits, check parameter *FG\_BITALIGNMENT*.

Moreover, the color converter of this applet can convert between different color formats of the input and output. Check Chapter 11, '*Color Converter*' for more information.

This applet supports the following output formats:

- **FG\_BGR8** and **FG\_RGB8**: 24 bit BGR/RGB color format with 8 bit/component.
- **FG\_BGRA8** and **FG\_RGBA8**: Color format with 8 bit/component. Component "a" has value zero.
- **FG\_BGR10** and **FG\_RGB10**: 30 bit BGR/RGB color format with 10 bit/component.



### 30 Bit Output Format

Note that in the 30 bit output format 1 pixel and its 3 color components are distributed over multiple bytes. Also, two successive pixel might share one byte. The pixel are directly aligned in memory. Thus 8 successive color components are stored in 10 byte. The DMA transfer might be filled with random content for the last bytes.

- **FG\_BGR12** and **FG\_RGB12**: 36 bit BGR/RGB color format with 12 bit/component.



### 36 Bit Output Format

Note that in the 36 bit output format 1 pixel and its 3 color components are distributed over multiple bytes. Also, two successive pixel might share one byte. The pixel are directly aligned in memory. Thus 2 successive color components are stored in 3 byte or two pixel in 9 Byte. The DMA transfer might be filled with random content for the last bytes.

- **FG\_BGR14** and **FG\_RGB14**: 42 bit BGR/RGB color format with 14 bit/component.



### 42 Bit Output Format

Note that in the 42 bit output format 1 pixel and its 3 color components are distributed over multiple bytes. Also, two successive pixel might share one byte. The pixel are directly aligned in memory. Thus 4 successive color components are stored in 7 byte or four pixel in 21 Byte. The DMA transfer might be filled with random content for the last bytes.

- **FG\_BGR16** and **FG\_RGB16**: 48 bit BGR/RGB color format with 16 bit/component.



### BGR vs. RGB Memory Alignment

Note that the color components are either written to the PC buffer in the common blue, green, red (BGR) or red, green, blue order. So either the blue or red color component is at the lower memory address.

- **FG\_MONO8**: 8 bit grayscale format
- **FG\_MONO10**: 10 bit grayscale format



### 10 Bit Output Format

Note that in the 10 bit output format 1 pixel is distributed over more than one byte. Also, two successive pixel share one byte. The pixel are directly aligned in memory. Thus 8 successive pixel are stored in 10 byte. The DMA transfer might be filled with random content for the last bytes.

- **FG\_MONO12**: 12 bit grayscale format



### 12 Bit Output Format

Note that in the 12 bit output format 1 pixel is distributed over more than one byte. Also, two successive pixel share the same byte. The pixel are directly aligned in memory. Thus 2 successive pixel are stored in 3 byte. The DMA transfer might be filled with random content for the last bytes.

- **FG\_MONO14**: 14 bit grayscale format



### 14 Bit Output Format

Note that in the 14 bit output format 1 pixel is distributed over more than one byte. Also, two successive pixel share the same byte. The pixel are directly aligned in memory. Thus 12 successive pixel are stored in 21 byte. The DMA transfer might be filled with random content for the last bytes.

- **FG\_MONO16**: 16 bit grayscale format



### DMA Bandwidth

Keep in mind that for the 16 bit output mode, the DMA bandwidth might not be sufficient to process the camera input data. Check Section 1.2, 'Bandwidth' for more information.

- **FG\_BAYERGR8, FG\_BAYERRG8, FG\_BAYERGB8** and **FG\_BAYERBG8**: 8 bit Bayer format Green-followed-by-Red, Red-followed-by-Green, Green-followed-by-Blue and Blue-followed-by-Green.
- **FG\_BAYERGR10, FG\_BAYERRG10, FG\_BAYERGB10** and **FG\_BAYERBG10**: 10 bit Bayer format Green-followed-by-Red, Red-followed-by-Green, Green-followed-by-Blue and Blue-followed-by-Green.



### 10 Bit Output Format

Note that in the 10 bit output format 1 pixel is distributed over more than one byte. Also, two successive pixel share one byte. The pixel are directly aligned in memory. Thus 8 successive pixel are stored in 10 byte. The DMA transfer might be filled with random content for the last bytes.

- **FG\_BAYERGR12, FG\_BAYERRG12, FG\_BAYERGB12** and **FG\_BAYERBG12**: 12 bit Bayer format Green-followed-by-Red, Red-followed-by-Green, Green-followed-by-Blue and Blue-followed-by-Green.



### 12 Bit Output Format

Note that in the 12 bit output format 1 pixel is distributed over more than one byte. Also, two successive pixel share the same byte. The pixel are directly aligned in memory. Thus 2 successive pixel are stored in 3 byte. The DMA transfer might be filled with random content for the last bytes.

- **FG\_BAYERGR14, FG\_BAYERRG14, FG\_BAYERGB14** and **FG\_BAYERBG14**: 14 bit Bayer format Green-followed-by-Red, Red-followed-by-Green, Green-followed-by-Blue and Blue-followed-by-Green.



## 14 Bit Output Format

Note that in the 14 bit output format 1 pixel is distributed over more than one byte. Also, two successive pixel share the same byte. The pixel are directly aligned in memory. Thus 12 successive pixel are stored in 21 byte. The DMA transfer might be filled with random content for the last bytes.

- **FG\_BAYERGR16, FG\_BAYERRG16, FG\_BAYERGB16 and FG\_BAYERBG16:** 16 bit Bayer format Green-followed-by-Red, Red-followed-by-Green, Green-followed-by-Blue and Blue-followed-by-Green.



## DMA Bandwidth

Keep in mind that for the 16 bit output mode, the DMA bandwidth might not be sufficient to process the camera input data. Check Section 1.2, 'Bandwidth' for more information.

- **FG\_YUV422\_8:** YUV 422 output in 8 bit per component.

Table 14.1. Parameter properties of FG\_FORMAT

Property	Value	
Name	<b>FG_FORMAT</b>	
Display Name	<b>Output Format</b>	
Type	<b>Enumeration</b>	
Access policy	<b>Read/Write</b>	
Storage policy	<b>Persistent</b>	
Allowed values	<b>FG_MON08</b>	Mono 8
	<b>FG_MON010</b>	Mono 10p
	<b>FG_MON012</b>	Mono 12p
	<b>FG_MON014</b>	Mono 14p
	<b>FG_MON016</b>	Mono 16
	<b>FG_BGR8</b>	BGR 8bit
	<b>FG_BGR10</b>	BGR 10bit
	<b>FG_BGR12</b>	BGR 12bit
	<b>FG_BGR14</b>	BGR 14p
	<b>FG_BGR16</b>	BGR 16bit
	<b>FG_RGB8</b>	RGB 8
	<b>FG_RGB10</b>	RGB 10p
	<b>FG_RGB12</b>	RGB 12p
	<b>FG_RGB14</b>	RGB 14p
	<b>FG_RGB16</b>	RGB 16
	<b>FG_BGRA8</b>	BGRA 8
	<b>FG_RGBA8</b>	RGBA 8
	<b>FG_BAYERGR8</b>	Bayer GR 8
	<b>FG_BAYERGR10</b>	Bayer GR 10p
	<b>FG_BAYERGR12</b>	Bayer GR 12p
	<b>FG_BAYERGR14</b>	Bayer GR 14p
	<b>FG_BAYERGR16</b>	Bayer GR 16
	<b>FG_BAYERRG8</b>	Bayer RG 8
	<b>FG_BAYERRG10</b>	Bayer RG 10p
	<b>FG_BAYERRG12</b>	Bayer RG 12p
	<b>FG_BAYERRG14</b>	Bayer RG 14p
	<b>FG_BAYERRG16</b>	Bayer RG 16
	<b>FG_BAYERGB8</b>	Bayer GB 8
	<b>FG_BAYERGB10</b>	Bayer GB 10p
	<b>FG_BAYERGB12</b>	Bayer GB 12p
	<b>FG_BAYERGB14</b>	Bayer GB 14p
	<b>FG_BAYERGB16</b>	Bayer GB 16
	<b>FG_BAYERBG8</b>	Bayer BG 8
	<b>FG_BAYERBG10</b>	Bayer BG 10p
	<b>FG_BAYERBG12</b>	Bayer BG 12p
	<b>FG_BAYERBG14</b>	Bayer BG 14p
	<b>FG_BAYERBG16</b>	Bayer BG 16
	<b>FG_YUV422_8</b>	YCbCr422_8
Default value	<b>FG_MON08</b>	

## Example 14.1. Usage of FG\_FORMAT

```

int result = 0;
int value = FG_MON08;
const enum FgParamTypes type = FG_PARAM_TYPE_INT32_T;

if ((result = Fg_setParameterWithType(fg, FG_FORMAT, &value, 0, type)) < 0) {
    /* error handling */
}

```



```

if ((result = Fg_getParameterWithType(fg, FG_FORMAT, &value, 0, type)) < 0) {
    /* error handling */
}

```

## 14.2. FG\_BITALIGNMENT

The bit alignment is used to map the pixel bits of the internal processing with a depth of 16 bit to the configured DMA output bit depth defined by parameter *FG\_FORMAT*.

You can select three different modes: Left aligned, right aligned and a custom shift mode. If you select left aligned, the applet will map the upper bits of the internal processing bit width to the available output bits. If you select right aligned, the applet will map the lower bits of the internal processing bit width to the available output bits. If you want to define a custom bit shift, you'll need to set the parameter to CustomBitShift and use parameter *FG\_CUSTOM\_BIT\_SHIFT\_RIGHT* to define the bit shift.

Keep in mind that the internal processing bit width has nothing to do with the camera pixel format. Check the camera parameter section to learn about the mapping of the camera bits to the internal bit width.

Table 14.2. Parameter properties of FG\_BITALIGNMENT

Property	Value	
Name	FG_BITALIGNMENT	
Display Name	Bit Alignment	
Type	Enumeration	
Access policy	Read/Write/Change	
Storage policy	Persistent	
Allowed values	FG_LEFT_ALIGNED	Left Aligned
	FG_RIGHT_ALIGNED	Right Aligned
	FG_CUSTOM_BIT_SHIFT_MODE	Custom Bit Shift
Default value	FG_LEFT_ALIGNED	

Example 14.2. Usage of FG\_BITALIGNMENT

```

int result = 0;
int value = FG_LEFT_ALIGNED;
const enum FgParamTypes type = FG_PARAM_TYPE_INT32_T;

if ((result = Fg_setParameterWithType(fg, FG_BITALIGNMENT, &value, 0, type)) < 0) {
    /* error handling */
}

if ((result = Fg_getParameterWithType(fg, FG_BITALIGNMENT, &value, 0, type)) < 0) {
    /* error handling */
}

```

## 14.3. FG\_PIXELDEPTH

The pixel depth read-only parameter is used to determine the number of bits used to process a pixel in the applet. It represents the internal bit width.

Table 14.3. Parameter properties of FG\_PIXELDEPTH

Property	Value
Name	<b>FG_PIXELDEPTH</b>
Display Name	<b>Pixel Depth</b>
Type	<b>Unsigned Integer</b>
Access policy	<b>Read-Only</b>
Storage policy	<b>Transient</b>
Allowed values	<b>Minimum 0</b> <b>Maximum 128</b> <b>Stepsize 1</b>
Unit of measure	<b>bit</b>

Example 14.3. Usage of FG\_PIXELDEPTH

```

int result = 0;
unsigned int value = 8;
const enum FgParamTypes type = FG_PARAM_TYPE_UINT32_T;

if ((result = Fg_getParameterWithType(fg, FG_PIXELDEPTH, &value, 0, type)) < 0) {
    /* error handling */
}

```

## 14.4. FG\_CUSTOM\_BIT\_SHIFT\_RIGHT

This parameter can only be used if parameter *FG\_BITALIGNMENT* is set to **FG\_CUSTOM\_BIT\_SHIFT\_MODE**. If it is enabled, you can define a custom right bit shift value for the DMA output of the frame grabber. A shift of 0 means that the most significant bits (MSB) of the internal processing bit width are mapped to the output MSB. For example, if the applet has an internal processing bit width of 12 bit and you select a 10 bit output, the upper 10 bits are mapped to the output. If you select however a bit width of two, the lower 10 bits are mapped to the output. Note that this applet has an internal bit width of 16 bits.

Table 14.4. Parameter properties of FG\_CUSTOM\_BIT\_SHIFT\_RIGHT

Property	Value
Name	<b>FG_CUSTOM_BIT_SHIFT_RIGHT</b>
Display Name	<b>Bit Shift Right</b>
Type	<b>Unsigned Integer</b>
Access policy	<b>Read/Write/Change</b>
Storage policy	<b>Persistent</b>
Allowed values	<b>Minimum 0</b> <b>Maximum 15</b> <b>Stepsize 1</b>
Default value	<b>0</b>
Unit of measure	<b>bit</b>

Example 14.4. Usage of FG\_CUSTOM\_BIT\_SHIFT\_RIGHT

```

int result = 0;
unsigned int value = 0;
const enum FgParamTypes type = FG_PARAM_TYPE_UINT32_T;

if ((result = Fg_setParameterWithType(fg, FG_CUSTOM_BIT_SHIFT_RIGHT, &value, 0, type)) < 0) {
    /* error handling */
}

if ((result = Fg_getParameterWithType(fg, FG_CUSTOM_BIT_SHIFT_RIGHT, &value, 0, type)) < 0) {

```

```
/* error handling */  
}
```

---

---

# Chapter 15. Camera Simulator

The camera simulator is a convenient way to simulate cameras for first time applet tests. If the simulator is enabled it generates pattern frames of specified size and speed. The image data is replaced at the position of the camera i.e. all applet processing functionalities are applied to the generated images. Note that camera specific settings of the applet will not have any functionality.

The generated images are horizontal, diagonal or vertical grayscale patterns, such as the one shown in the following figure.

Figure 15.1. Generator Pattern



## No Sub-Sensor sorting in Generated Images

The camera simulator will generate a simple grayscale pattern. If the camera or this applet uses sub sensor pixel sorting (sensor correction), the simulator will not generate images which represent the camera sensor.

## 15.1. FG\_CAMERASIMULATOR\_ENABLE

The camera simulator is enabled with this parameter. When you switch between camera mode and simulator, the applet will finalize the current frame before switching to the other input. Note that an activated simulator will have effect on parameter *FG\_CAMSTATUS*.



## Only 8bit support

The camera simulator will produce valid 8bit values only for 8bit pixel format. All other pixel formats will consist of packed 8bit data inside the packed format.

This will cause strange images in the simulation for higher bit depth than 8bit. Since this function is not related to productive usage this should be acceptable.

Table 15.1. Parameter properties of FG\_CAMERASIMULATOR\_ENABLE

Property	Value
Name	<b>FG_CAMERASIMULATOR_ENABLE</b>
Display Name	<b>Image Source</b>
Type	<b>Enumeration</b>
Access policy	<b>Read/Write/Change</b>
Storage policy	<b>Persistent</b>
Allowed values	<b>FG_CAMPOR</b> Camera <b>FG_CAMERASIMULATOR</b> Simulator
Default value	<b>FG_CAMPOR</b>

Example 15.1. Usage of FG\_CAMERASIMULATOR\_ENABLE

```

int result = 0;
int value = FG_CAMPOR;
const enum FgParamTypes type = FG_PARAM_TYPE_INT32_T;

if ((result = Fg_setParameterWithType(fg, FG_CAMERASIMULATOR_ENABLE, &value, 0, type)) < 0) {
    /* error handling */
}

if ((result = Fg_getParameterWithType(fg, FG_CAMERASIMULATOR_ENABLE, &value, 0, type)) < 0) {
    /* error handling */
}
    
```

## 15.2. FG\_CAMERASIMULATOR\_WIDTH

The width of the generated frame is set with this parameter. You can enter any value. The applet will automatically round up to the next valid value limited due to internal processing granularity.

The range of the width depends on other parameters and is automatically determined from the applet. Decrease the speed for extending the range of the width value.

Table 15.2. Parameter properties of FG\_CAMERASIMULATOR\_WIDTH

Property	Value
Name	<b>FG_CAMERASIMULATOR_WIDTH</b>
Display Name	<b>Width</b>
Type	<b>Unsigned Integer</b>
Access policy	<b>Read/Write/Change</b>
Storage policy	<b>Persistent</b>
Allowed values	<b>Minimum 1</b> <b>Maximum 65568</b> <b>Stepsize 1</b>
Default value	<b>1024</b>
Unit of measure	<b>pixel</b>

Example 15.2. Usage of FG\_CAMERASIMULATOR\_WIDTH

```

int result = 0;
unsigned int value = 1024;
const enum FgParamTypes type = FG_PARAM_TYPE_UINT32_T;
    
```

```

if ((result = Fg_setParameterWithType(fg, FG_CAMERASIMULATOR_WIDTH, &value, 0, type)) < 0) {
    /* error handling */
}

if ((result = Fg_getParameterWithType(fg, FG_CAMERASIMULATOR_WIDTH, &value, 0, type)) < 0) {
    /* error handling */
}

```

### 15.3. FG\_CAMERASIMULATOR\_LINE\_GAP

The simulator will generate a gap between the lines. The length of the gap is defined by this parameter. So the time of the gap depends on the pixel clock and the value.

You can enter any value. The applet will automatically round up to the next valid value.

The range of the line gap depends on other parameters and is automatically determined from the applet. Decrease the speed for extending the range of the line gap value.

The parameter can only be changed if `FG_CAMERASIMULATOR_SELECT_MODE` is set to **FG\_PIXEL\_FREQUENCY**.

Table 15.3. Parameter properties of FG\_CAMERASIMULATOR\_LINE\_GAP

Property	Value
Name	<b>FG_CAMERASIMULATOR_LINE_GAP</b>
Display Name	<b>Line Gap</b>
Type	<b>Unsigned Integer</b>
Access policy	<b>Read/Write/Change</b>
Storage policy	<b>Persistent</b>
Allowed values	<b>Minimum 0</b> <b>Maximum 65568</b> <b>Stepsize 1</b>
Default value	<b>0</b>
Unit of measure	<b>pixel</b>

Example 15.3. Usage of FG\_CAMERASIMULATOR\_LINE\_GAP

```

int result = 0;
unsigned int value = 0;
const enum FgParamTypes type = FG_PARAM_TYPE_UINT32_T;

if ((result = Fg_setParameterWithType(fg, FG_CAMERASIMULATOR_LINE_GAP, &value, 0, type)) < 0) {
    /* error handling */
}

if ((result = Fg_getParameterWithType(fg, FG_CAMERASIMULATOR_LINE_GAP, &value, 0, type)) < 0) {
    /* error handling */
}

```

### 15.4. FG\_CAMERASIMULATOR\_HEIGHT

The height of the generated frame is set with this parameter.

The range of the height depends on other parameters and is automatically determined from the applet. Decrease the speed for extending the range of the height value.

Table 15.4. Parameter properties of FG\_CAMERASIMULATOR\_HEIGHT

Property	Value
Name	FG_CAMERASIMULATOR_HEIGHT
Display Name	Height
Type	Unsigned Integer
Access policy	Read/Write/Change
Storage policy	Persistent
Allowed values	Minimum 1 Maximum 65536 Stepsize 1
Default value	1024
Unit of measure	pixel

Example 15.4. Usage of FG\_CAMERASIMULATOR\_HEIGHT

```

int result = 0;
unsigned int value = 1024;
const enum FgParamTypes type = FG_PARAM_TYPE_UINT32_T;

if ((result = Fg_setParameterWithType(fg, FG_CAMERASIMULATOR_HEIGHT, &value, 0, type)) < 0) {
    /* error handling */
}

if ((result = Fg_getParameterWithType(fg, FG_CAMERASIMULATOR_HEIGHT, &value, 0, type)) < 0) {
    /* error handling */
}

```

## 15.5. FG\_CAMERASIMULATOR\_FRAME\_GAP

The simulator will generate a gap between the frames. The length of the gap is defined by this parameter. So the time of the gap depends on the line rate and the value.

The range of the frame gap depends on other parameters and is automatically determined from the applet. Decrease the speed for extending the range of the frame gap value.

The parameter can not be changed if parameter *FG\_CAMERASIMULATOR\_SELECT\_MODE* is set to **FG\_FRAMERATE**.

Table 15.5. Parameter properties of FG\_CAMERASIMULATOR\_FRAME\_GAP

Property	Value
Name	FG_CAMERASIMULATOR_FRAME_GAP
Display Name	Frame Gap
Type	Unsigned Integer
Access policy	Read/Write/Change
Storage policy	Persistent
Allowed values	Minimum 0 Maximum 65536 Stepsize 1
Default value	0
Unit of measure	pixel

Example 15.5. Usage of FG\_CAMERASIMULATOR\_FRAME\_GAP

```

int result = 0;

```

```

unsigned int value = 0;
const enum FgParamTypes type = FG_PARAM_TYPE_UINT32_T;

if ((result = Fg_setParameterWithType(fg, FG_CAMERASIMULATOR_FRAME_GAP, &value, 0, type)) < 0) {
    /* error handling */
}

if ((result = Fg_getParameterWithType(fg, FG_CAMERASIMULATOR_FRAME_GAP, &value, 0, type)) < 0) {
    /* error handling */
}

```

## 15.6. FG\_CAMERASIMULATOR\_PATTERN

The simulator will generate pixel value ramps from 0 to 255. As this applet is capable of using monochrome bayer or RGB inputs.

The following three types of patterns can be generated and selected by this parameter.

- **FG\_HORIZONTAL**

A horizontal pattern. Values are increased by 1 in x-direction.

- **FG\_VERTICAL**

A vertical pattern. Values are increased by 1 in y-direction.

- **FG\_DIAGONAL**

A diagonal pattern. Values are increased by 1 in x and y-direction.

Table 15.6. Parameter properties of FG\_CAMERASIMULATOR\_PATTERN

Property	Value
Name	<b>FG_CAMERASIMULATOR_PATTERN</b>
Display Name	<b>Pattern</b>
Type	<b>Enumeration</b>
Access policy	<b>Read/Write/Change</b>
Storage policy	<b>Persistent</b>
Allowed values	<b>FG_HORIZONTAL</b> Horizontal <b>FG_VERTICAL</b> Vertical <b>FG_DIAGONAL</b> Diagonal
Default value	<b>FG_DIAGONAL</b>

Example 15.6. Usage of FG\_CAMERASIMULATOR\_PATTERN

```

int result = 0;
int value = FG_DIAGONAL;
const enum FgParamTypes type = FG_PARAM_TYPE_INT32_T;

if ((result = Fg_setParameterWithType(fg, FG_CAMERASIMULATOR_PATTERN, &value, 0, type)) < 0) {
    /* error handling */
}

if ((result = Fg_getParameterWithType(fg, FG_CAMERASIMULATOR_PATTERN, &value, 0, type)) < 0) {
    /* error handling */
}

```

## 15.7. FG\_CAMERASIMULATOR\_PATTERN\_OFFSET

Using this parameter, an offset value can be added to the generated patterns. After acquisition start, the offset is added. For example, the very first pixel of an image will start with the offset value instead of 0.



Table 15.7. Parameter properties of FG\_CAMERASIMULATOR\_PATTERN\_OFFSET

Property	Value
Name	FG_CAMERASIMULATOR_PATTERN_OFFSET
Display Name	Pattern Offset
Type	Unsigned Integer
Access policy	Read/Write/Change
Storage policy	Persistent
Allowed values	Minimum 0 Maximum 255 Stepsize 1
Default value	0
Unit of measure	pixel value

Example 15.7. Usage of FG\_CAMERASIMULATOR\_PATTERN\_OFFSET

```

int result = 0;
unsigned int value = 0;
const enum FgParamTypes type = FG_PARAM_TYPE_UINT32_T;

if ((result = Fg_setParameterWithType(fg, FG_CAMERASIMULATOR_PATTERN_OFFSET, &value, 0, type)) < 0) {
    /* error handling */
}

if ((result = Fg_getParameterWithType(fg, FG_CAMERASIMULATOR_PATTERN_OFFSET, &value, 0, type)) < 0) {
    /* error handling */
}

```

## 15.8. FG\_CAMERASIMULATOR\_ROLL

The generated pattern can be 'rolled'. With every new frame, all pattern pixels are increased by value one. At the wrap-around value 256, the pixel will get value 0. The generated images look like a moving (rolling) image.

Table 15.8. Parameter properties of FG\_CAMERASIMULATOR\_ROLL

Property	Value
Name	FG_CAMERASIMULATOR_ROLL
Display Name	Roll
Type	Enumeration
Access policy	Read/Write/Change
Storage policy	Persistent
Allowed values	FG_ON On FG_OFF Off
Default value	FG_ON

Example 15.8. Usage of FG\_CAMERASIMULATOR\_ROLL

```

int result = 0;
int value = FG_ON;
const enum FgParamTypes type = FG_PARAM_TYPE_INT32_T;

if ((result = Fg_setParameterWithType(fg, FG_CAMERASIMULATOR_ROLL, &value, 0, type)) < 0) {
    /* error handling */
}

if ((result = Fg_getParameterWithType(fg, FG_CAMERASIMULATOR_ROLL, &value, 0, type)) < 0) {
    /* error handling */
}

```

## 15.9. FG\_CAMERASIMULATOR\_SELECT\_MODE

The simulator will generate the images with a certain speed. Users are allowed to select whether they want to set the pixel frequency, line rate or frame rate to control the speed. This parameter selects the mode.

Table 15.9. Parameter properties of FG\_CAMERASIMULATOR\_SELECT\_MODE

Property	Value
Name	FG_CAMERASIMULATOR_SELECT_MODE
Display Name	Speed Mode
Type	Enumeration
Access policy	Read/Write/Change
Storage policy	Persistent
Allowed values	FG_PIXEL_FREQUENCY    Pixel Frequency FG_LINERATE            Line Rate FG_FRAMERATE          Frame Rate
Default value	FG_FRAMERATE

Example 15.9. Usage of FG\_CAMERASIMULATOR\_SELECT\_MODE

```
int result = 0;
int value = FG_FRAMERATE;
const enum FgParamTypes type = FG_PARAM_TYPE_INT32_T;

if ((result = Fg_setParameterWithType(fg, FG_CAMERASIMULATOR_SELECT_MODE, &value, 0, type)) < 0) {
    /* error handling */
}

if ((result = Fg_getParameterWithType(fg, FG_CAMERASIMULATOR_SELECT_MODE, &value, 0, type)) < 0) {
    /* error handling */
}
```

## 15.10. FG\_CAMERASIMULATOR\_PIXEL\_FREQUENCY

This parameter sets the pixel frequency. Note that the generator only simulates cameras. It is made for a first time use of the applet and user SDK verification. The camera simulator cannot reflect the exact timings and frequencies of cameras.

To set the pixel frequency, you will need to set parameter *FG\_CAMERASIMULATOR\_SELECT\_MODE* to **FG\_PIXEL\_FREQUENCY**.

Any floating point value can be inserted to the parameter. However, the applet will round the value to the next valid value. Read the parameter value to find out the new rounded value.

Table 15.10. Parameter properties of FG\_CAMERASIMULATOR\_PIXEL\_FREQUENCY

Property	Value
Name	FG_CAMERASIMULATOR_PIXEL_FREQUENCY
Display Name	Pixel Frequency
Type	Double
Access policy	Read/Write/Change
Storage policy	Persistent
Allowed values	Minimum    1.875 Maximum    5700.0 Stepsize    3.7499999999999999
Default value	39.375
Unit of measure	MHz

**Example 15.10. Usage of FG\_CAMERASIMULATOR\_PIXEL\_FREQUENCY**

```

int result = 0;
double value = 39.375;
const enum FgParamTypes type = FG_PARAM_TYPE_DOUBLE;

if ((result = Fg_setParameterWithType(fg, FG_CAMERASIMULATOR_PIXEL_FREQUENCY, &value, 0, type)) < 0) {
    /* error handling */
}

if ((result = Fg_getParameterWithType(fg, FG_CAMERASIMULATOR_PIXEL_FREQUENCY, &value, 0, type)) < 0) {
    /* error handling */
}

```

## 15.11. FG\_CAMERASIMULATOR\_LINERATE

This parameter sets the line rate of the generated images.

To set the line rate, you will need to set parameter *FG\_CAMERASIMULATOR\_SELECT\_MODE* to **FG\_LINERATE**.

In line rate mode, the pixel frequency is set to the maximum.

Any floating point value can be inserted to the parameter. However, the applet will round the value to the next valid value. Read the parameter value to find out the new rounded value.

**Table 15.11. Parameter properties of FG\_CAMERASIMULATOR\_LINERATE**

Property	Value
Name	<b>FG_CAMERASIMULATOR_LINERATE</b>
Display Name	<b>Line Rate</b>
Type	<b>Double</b>
Access policy	<b>Read/Write/Change</b>
Storage policy	<b>Persistent</b>
Allowed values	<b>Minimum 0.15</b> <b>Maximum 1.1875E8</b> <b>Stepsize 7.0E-11</b>
Default value	<b>10240.0</b>
Unit of measure	<b>Hz</b>

**Example 15.11. Usage of FG\_CAMERASIMULATOR\_LINERATE**

```

int result = 0;
double value = 10240.0;
const enum FgParamTypes type = FG_PARAM_TYPE_DOUBLE;

if ((result = Fg_setParameterWithType(fg, FG_CAMERASIMULATOR_LINERATE, &value, 0, type)) < 0) {
    /* error handling */
}

if ((result = Fg_getParameterWithType(fg, FG_CAMERASIMULATOR_LINERATE, &value, 0, type)) < 0) {
    /* error handling */
}

```

## 15.12. FG\_CAMERASIMULATOR\_FRAMERATE

This parameter sets the frame rate of the generated images. For parameter *FG\_TRIGGER\_FRAMESPERSECOND* only frame values up to the upper value limit of *FG\_CAMERASIMULATOR\_FRAMERATE* are valid.

To set the frame rate, you will need to set parameter `FG_CAMERASIMULATOR_SELECT_MODE` to `FG_FRAMERATE`.

In frame rate mode, the pixel frequency is set to the maximum and the line gap is set to zero.

Any floating point value can be inserted to the parameter. However, the applet will round the value to the next valid value. Read the parameter value to find out the new rounded value.

Table 15.12. Parameter properties of `FG_CAMERASIMULATOR_FRAMERATE`

Property	Value
Name	<code>FG_CAMERASIMULATOR_FRAMERATE</code>
Display Name	<b>Framerate</b>
Type	<b>Double</b>
Access policy	<b>Read/Write/Change</b>
Storage policy	<b>Persistent</b>
Allowed values	<b>Minimum 0.15</b> <b>Maximum 1.1875E8</b> <b>Stepsize 7.0E-11</b>
Default value	<b>10.0</b>
Unit of measure	<b>Hz</b>

Example 15.12. Usage of `FG_CAMERASIMULATOR_FRAMERATE`

```
int result = 0;
double value = 10.0;
const enum FgParamTypes type = FG_PARAM_TYPE_DOUBLE;

if ((result = Fg_setParameterWithType(fg, FG_CAMERASIMULATOR_FRAMERATE, &value, 0, type)) < 0) {
    /* error handling */
}

if ((result = Fg_getParameterWithType(fg, FG_CAMERASIMULATOR_FRAMERATE, &value, 0, type)) < 0) {
    /* error handling */
}
```

## 15.13. FG\_CAMERASIMULATOR\_TRIGGER\_MODE

You can either use the camera simulator in free run mode or the simulator can be triggered by the output of the trigger module of this applet. As this applet uses a CoaxPress camera interface, the CXP trigger output of the respective camera port is used as camera simulator trigger input. The rising edge of the trigger will be used.

You can choose between line trigger and frame trigger mode. In line trigger mode, a rising edge at the input will output a line from the camera simulator. For frame trigger mode, the input will trigger the output of a frame.



### Trigger frequency must not exceed the speed of the camera simulator

Same as for real cameras, it is very important that the frequency of the trigger pulses do not exceed the maximum speed of the camera simulator. Set the camera simulator to a sufficiently large speed to avoid line or frame lost.

Table 15.13. Parameter properties of FG\_CAMERASIMULATOR\_TRIGGER\_MODE

Property	Value
Name	<b>FG_CAMERASIMULATOR_TRIGGER_MODE</b>
Display Name	<b>Trigger Mode</b>
Type	<b>Enumeration</b>
Access policy	<b>Read/Write/Change</b>
Storage policy	<b>Persistent</b>
Allowed values	<b>SIMULATION_FREE_RUN</b> Free Run <b>RISING_EDGE_TRIGGERS_LINE</b> Rising Edge Triggers Line <b>RISING_EDGE_TRIGGERS_FRAME</b> Rising Edge Triggers Frame
Default value	<b>SIMULATION_FREE_RUN</b>

Example 15.13. Usage of FG\_CAMERASIMULATOR\_TRIGGER\_MODE

```

int result = 0;
int value = SIMULATION_FREE_RUN;
const enum FgParamTypes type = FG_PARAM_TYPE_INT32_T;

if ((result = Fg_setParameterWithType(fg, FG_CAMERASIMULATOR_TRIGGER_MODE, &value, 0, type)) < 0) {
    /* error handling */
}

if ((result = Fg_getParameterWithType(fg, FG_CAMERASIMULATOR_TRIGGER_MODE, &value, 0, type)) < 0) {
    /* error handling */
}

```

## 15.14. FG\_CAMERASIMULATOR\_ACTIVE

Table 15.14. Parameter properties of FG\_CAMERASIMULATOR\_ACTIVE

Property	Value
Name	<b>FG_CAMERASIMULATOR_ACTIVE</b>
Display Name	<b>Active Parts</b>
Type	<b>Unsigned Integer</b>
Access policy	<b>Read-Only</b>
Storage policy	<b>Persistent</b>
Allowed values	<b>Minimum 2</b> <b>Maximum 2000</b> <b>Stepsize 1</b>
Unit of measure	<b>pixel</b>

Example 15.14. Usage of FG\_CAMERASIMULATOR\_ACTIVE

```

int result = 0;
unsigned int value = 1024;
const enum FgParamTypes type = FG_PARAM_TYPE_UINT32_T;

if ((result = Fg_getParameterWithType(fg, FG_CAMERASIMULATOR_ACTIVE, &value, 0, type)) < 0) {
    /* error handling */
}

```

## 15.15. FG\_CAMERASIMULATOR\_PASSIVE

Table 15.15. Parameter properties of FG\_CAMERASIMULATOR\_PASSIVE

Property	Value
Name	<b>FG_CAMERASIMULATOR_PASSIVE</b>
Display Name	<b>Passive Parts</b>
Type	<b>Unsigned Integer</b>
Access policy	<b>Read-Only</b>
Storage policy	<b>Persistent</b>
Allowed values	<b>Minimum 2</b> <b>Maximum 2000</b> <b>Stepsize 1</b>
Unit of measure	<b>pixel</b>

Example 15.15. Usage of FG\_CAMERASIMULATOR\_PASSIVE

```

int result = 0;
unsigned int value = 1024;
const enum FgParamTypes type = FG_PARAM_TYPE_UINT32_T;

if ((result = Fg_getParameterWithType(fg, FG_CAMERASIMULATOR_PASSIVE, &value, 0, type)) < 0) {
    /* error handling */
}

```

---

# Chapter 16. Miscellaneous

This category summarizes other read and write parameters such as the camera status, buffer fill levels, DMA transfer lengths, and time stamps.

## 16.1. FG\_TIMEOUT

This parameter is used to set a timeout for DMA transfers. After a timeout the acquisition is stopped. But it is only an internal value that should not be used directly. Use the timeout value described in the Framegrabber API or microDisplay for acquisition in order to handle the functionality correctly.

Table 16.1. Parameter properties of FG\_TIMEOUT

Property	Value
Name	<b>FG_TIMEOUT</b>
Display Name	<b>Timeout</b>
Type	<b>Unsigned Integer</b>
Access policy	<b>Read/Write/Change</b>
Storage policy	<b>Persistent</b>
Allowed values	<b>Minimum 2</b> <b>Maximum 2147483646</b> <b>Stepsize 1</b>
Default value	<b>1000000</b>
Unit of measure	<b>seconds</b>

Example 16.1. Usage of FG\_TIMEOUT

```
int result = 0;
unsigned int value = 1000000;
const enum FgParamTypes type = FG_PARAM_TYPE_UINT32_T;

if ((result = Fg_setParameterWithType(fg, FG_TIMEOUT, &value, 0, type)) < 0) {
    /* error handling */
}

if ((result = Fg_getParameterWithType(fg, FG_TIMEOUT, &value, 0, type)) < 0) {
    /* error handling */
}
```

## 16.2. FG\_APPLET\_ID

This parameter returns the unique applet id of the applet as a string parameter.

Table 16.2. Parameter properties of FG\_APPLET\_ID

Property	Value
Name	<b>FG_APPLET_ID</b>
Display Name	<b>Applet Id</b>
Type	<b>String</b>
Access policy	<b>Read-Only</b>
Storage policy	<b>Transient</b>

Example 16.2. Usage of FG\_APPLET\_ID

```
int result = 0;
```

```

char* value = "";
const enum FgParamTypes type = FG_PARAM_TYPE_CHAR_PTR;

if ((result = Fg_getParameterWithType(fg, FG_APPLET_ID, &value, 0, type)) < 0) {
    /* error handling */
}

```

### 16.3. FG\_APPLET\_BUILD\_TIME

This string parameter returns the hardware applet (HAP) build timestamp. To obtain the build time of the applet, check the DLL / SO file details. Mainly, this parameter is required for internal usage only.

Table 16.3. Parameter properties of FG\_APPLET\_BUILD\_TIME

Property	Value
Name	FG_APPLET_BUILD_TIME
Display Name	Build Time
Type	String
Access policy	Read-Only
Storage policy	Transient

Example 16.3. Usage of FG\_APPLET\_BUILD\_TIME

```

int result = 0;
char* value = "";
const enum FgParamTypes type = FG_PARAM_TYPE_CHAR_PTR;

if ((result = Fg_getParameterWithType(fg, FG_APPLET_BUILD_TIME, &value, 0, type)) < 0) {
    /* error handling */
}

```

### 16.4. FG\_HAP\_FILE

The name of the Hardware-Applet (HAP) file on which this applet is based. Please report this read-only string parameter for any support case of the applet.

Table 16.4. Parameter properties of FG\_HAP\_FILE

Property	Value
Name	FG_HAP_FILE
Display Name	HAP file
Type	String
Access policy	Read-Only
Storage policy	Transient

Example 16.4. Usage of FG\_HAP\_FILE

```

int result = 0;
char* value = "";
const enum FgParamTypes type = FG_PARAM_TYPE_CHAR_PTR;

if ((result = Fg_getParameterWithType(fg, FG_HAP_FILE, &value, 0, type)) < 0) {
    /* error handling */
}

```

### 16.5. FG\_CAMSTATUS

For CoaXPRESS, this parameter is not used. Please use the SDK's GenICam functions to identify camera detection state. More details on this can be found in the Basler Framegrabber SDK documentation.



Table 16.5. Parameter properties of FG\_CAMSTATUS

Property	Value
Name	<b>FG_CAMSTATUS</b>
Display Name	<b>Camera Status</b>
Type	<b>Unsigned Integer</b>
Access policy	<b>Read-Only</b>
Storage policy	<b>Transient</b>
Allowed values	<b>Minimum 0</b> <b>Maximum 1</b> <b>Stepsize 1</b>

Example 16.5. Usage of FG\_CAMSTATUS

```

int result = 0;
unsigned int value = 0;
const enum FgParamTypes type = FG_PARAM_TYPE_UINT32_T;

if ((result = Fg_getParameterWithType(fg, FG_CAMSTATUS, &value, 0, type)) < 0) {
    /* error handling */
}

```

## 16.6. FG\_CAMSTATUS\_EXTENDED

This parameter provides extended information on the pixel clock from the camera, LVAL and FVAL, as well as the camera trigger signals, external trigger signals, buffer overflow status and buffer status. Each bit of the eight bit output word represents one parameter listed in the following:

- 0 = CameraClk, currently NOT supported by CoaXPress interface.
- 1 = CameraLval, currently NOT supported by CoaXPress interface.
- 2 = CameraFval, currently NOT supported by CoaXPress interface.
- 3 = Camera CC1 Signal, currently NOT supported by CoaXPress interface.
- 4 = ExTrg / external trigger, currently NOT supported by CoaXPress interface.
- 5 = BufferOverflow
- 6 = BufStatus, LSB
- 7 = BufStatus, MSB

Table 16.6. Parameter properties of FG\_CAMSTATUS\_EXTENDED

Property	Value
Name	<b>FG_CAMSTATUS_EXTENDED</b>
Display Name	<b>Camera Status Extended</b>
Type	<b>Unsigned Integer</b>
Access policy	<b>Read-Only</b>
Storage policy	<b>Transient</b>
Allowed values	<b>Minimum 0</b> <b>Maximum 255</b> <b>Stepsize 1</b>

Example 16.6. Usage of FG\_CAMSTATUS\_EXTENDED

```

int result = 0;

```

```

unsigned int value = 0;
const enum FgParamTypes type = FG_PARAM_TYPE_UINT32_T;

if ((result = Fg_getParameterWithType(fg, FG_CAMSTATUS_EXTENDED, &value, 0, type)) < 0) {
    /* error handling */
}

```

## 16.7. FG\_SYSTEMMONITOR\_FPGA\_DNA\_LOW

The parameter `FG_SYSTEMMONITOR_FPGA_DNA_LOW` provides the lower 57 bit unique FPGA DNA.

Table 16.7. Parameter properties of `FG_SYSTEMMONITOR_FPGA_DNA_LOW`

Property	Value
Name	<code>FG_SYSTEMMONITOR_FPGA_DNA_LOW</code>
Display Name	FPGA DNA Low
Type	Unsigned Integer (64 Bit)
Access policy	Read-Only
Storage policy	Transient
Allowed values	<b>Minimum</b> 0 <b>Maximum</b> 144115188075855872 <b>Stepsize</b> 1

Example 16.7. Usage of `FG_SYSTEMMONITOR_FPGA_DNA_LOW`

```

int result = 0;
uint64_t value = 0;
const enum FgParamTypes type = FG_PARAM_TYPE_UINT64_T;

if ((result = Fg_getParameterWithType(fg, FG_SYSTEMMONITOR_FPGA_DNA_LOW, &value, 0, type)) < 0) {
    /* error handling */
}

```

## 16.8. FG\_SYSTEMMONITOR\_FPGA\_DNA\_HIGH

The parameter `FG_SYSTEMMONITOR_FPGA_DNA_HIGH` provides the upper 32s bit unique FPGA DNA.

Table 16.8. Parameter properties of `FG_SYSTEMMONITOR_FPGA_DNA_HIGH`

Property	Value
Name	<code>FG_SYSTEMMONITOR_FPGA_DNA_HIGH</code>
Display Name	FPGA DNA High
Type	Unsigned Integer
Access policy	Read-Only
Storage policy	Transient
Allowed values	<b>Minimum</b> 0 <b>Maximum</b> 4294967295 <b>Stepsize</b> 1

Example 16.8. Usage of `FG_SYSTEMMONITOR_FPGA_DNA_HIGH`

```

int result = 0;
unsigned int value = 0;
const enum FgParamTypes type = FG_PARAM_TYPE_UINT32_T;

if ((result = Fg_getParameterWithType(fg, FG_SYSTEMMONITOR_FPGA_DNA_HIGH, &value, 0, type)) < 0) {
    /* error handling */
}

```

## 16.9. Version

The category provides version information.

### 16.9.1. FG\_APPLET\_VERSION

This parameter indicates the version number of the applet. Report this value when contacting the Basler support.

Table 16.9. Parameter properties of FG\_APPLET\_VERSION

Property	Value
Name	<b>FG_APPLET_VERSION</b>
Display Name	<b>Applet Version</b>
Type	<b>Unsigned Integer</b>
Access policy	<b>Read-Only</b>
Storage policy	<b>Transient</b>
Allowed values	<b>Minimum 0</b> <b>Maximum 256</b> <b>Stepsize 1</b>

Example 16.9. Usage of FG\_APPLET\_VERSION

```
int result = 0;
unsigned int value = 0;
const enum FgParamTypes type = FG_PARAM_TYPE_UINT32_T;

if ((result = Fg_getParameterWithType(fg, FG_APPLET_VERSION, &value, 0, type)) < 0) {
    /* error handling */
}
```

### 16.9.2. FG\_APPLET\_REVISION

This parameter indicates the revision number of the applet. Report this value when contacting the Basler support.

Table 16.10. Parameter properties of FG\_APPLET\_REVISION

Property	Value
Name	<b>FG_APPLET_REVISION</b>
Display Name	<b>Applet Revision</b>
Type	<b>Unsigned Integer</b>
Access policy	<b>Read-Only</b>
Storage policy	<b>Transient</b>
Allowed values	<b>Minimum 0</b> <b>Maximum 256</b> <b>Stepsize 1</b>

Example 16.10. Usage of FG\_APPLET\_REVISION

```
int result = 0;
unsigned int value = 0;
const enum FgParamTypes type = FG_PARAM_TYPE_UINT32_T;

if ((result = Fg_getParameterWithType(fg, FG_APPLET_REVISION, &value, 0, type)) < 0) {
    /* error handling */
}
```

### 16.9.3. FG\_VISUALAPPLETS\_BUILD\_VERSION

Returns the VisualApplets version used to build the applets.

Table 16.11. Parameter properties of FG\_VISUALAPPLETS\_BUILD\_VERSION

Property	Value
Name	FG_VISUALAPPLETS_BUILD_VERSION
Display Name	VisualApplets Build Version
Type	String
Access policy	Read-Only
Storage policy	Transient

Example 16.11. Usage of FG\_VISUALAPPLETS\_BUILD\_VERSION

```
int result = 0;
char* value = n/a;
const enum FgParamTypes type = FG_PARAM_TYPE_CHAR_PTR;

if ((result = Fg_getParameterWithType(fg, FG_VISUALAPPLETS_BUILD_VERSION, &value, 0, type)) < 0) {
    /* error handling */
}
```

## 16.10. Legacy

This category includes the legacy parameter for user software compatibility. The parameter of this category shouldn't be used anymore.

### 16.10.1. FG\_CXP\_TRIGGER\_PACKET\_MODE

This parameter is for legacy use only and shouldn't be used anymore.

Setting the parameter to the CXP standard triggers re-writing the *FG\_TRIGGERCAMERA\_OUT\_SELECT* legacy parameter.

However, if you set the parameter to rising edge only, the legacy compatibility mode applies. In this case, *FG\_TRIGGERCAMERA\_SOURCE\_CXP1*, *FG\_TRIGGERCAMERA\_SOURCE\_CXP2* and *FG\_TRIGGERCAMERA\_SOURCE\_CXP3* are set to **GND**.

Be careful with this parameter as it overwrites the *FG\_TRIGGERCAMERA\_SOURCE\_CXP0* and *FG\_TRIGGERCAMERA\_SOURCE\_CXP0* parameters.

This legacy parameter can't be used in configuration files anymore.

Table 16.12. Parameter properties of FG\_CXP\_TRIGGER\_PACKET\_MODE

Property	Value
Name	FG_CXP_TRIGGER_PACKET_MODE
Display Name	CXP Trigger Packet Mode
Type	Enumeration
Access policy	Read/Write/Change
Storage policy	Persistent
Allowed values	FG_STANDARD CXP Trigger Standard FG_RISING_EDGE_ONLY CXP Trigger Rising
Default value	FG_STANDARD

**Example 16.12. Usage of FG\_CXP\_TRIGGER\_PACKET\_MODE**

---

```
int result = 0;
int value = FG_STANDARD;
const enum FgParamTypes type = FG_PARAM_TYPE_INT32_T;

if ((result = Fg_setParameterWithType(fg, FG_CXP_TRIGGER_PACKET_MODE, &value, 0, type)) < 0) {
    /* error handling */
}

if ((result = Fg_getParameterWithType(fg, FG_CXP_TRIGGER_PACKET_MODE, &value, 0, type)) < 0) {
    /* error handling */
}
```

---

**16.10.2. FG\_TRIGGERCAMERA\_OUT\_SELECT**

This is a legacy parameter. It is replaced by the parameters *FG\_TRIGGERCAMERA\_SOURCE\_CXP0* and *FG\_TRIGGERCAMERA\_SOURCE\_CXP1*. Before, the legacy parameter controlled the generation for CXP LinkTrigger0 associated with the start of a pulse and CXP LinkTrigger1 associated with the end of a pulse. To keep the compatibility, when writing to this parameter, the value is copied to *FG\_TRIGGERCAMERA\_SOURCE\_CXP0* and furthermore sets the inverted value to *FG\_TRIGGERCAMERA\_SOURCE\_CXP1*.

Reading the value only represents the status of *FG\_TRIGGERCAMERA\_SOURCE\_CXP0* and can be ambiguous as the new parameters offer more possibilities which can't be represented with the legacy parameter.

This legacy parameter can't be used in configuration files anymore.

Table 16.13. Parameter properties of FG\_TRIGGERCAMERA\_OUT\_SELECT

Property	Value																																																																																				
Name	<b>FG_TRIGGERCAMERA_OUT_SELECT</b>																																																																																				
Display Name	<b>Legacy Trigger Camera Out Select</b>																																																																																				
Type	<b>Enumeration</b>																																																																																				
Access policy	<b>Read/Write/Change</b>																																																																																				
Storage policy	<b>Transient</b>																																																																																				
Allowed values	<table border="0"> <tbody> <tr><td>VCC</td><td>VCC</td></tr> <tr><td>GND</td><td>GND</td></tr> <tr><td>CAM_A_PULSEGEN0</td><td>Cam A Pulse Generator 0</td></tr> <tr><td>CAM_A_PULSEGEN1</td><td>Cam A Pulse Generator 1</td></tr> <tr><td>CAM_A_PULSEGEN2</td><td>Cam A Pulse Generator 2</td></tr> <tr><td>CAM_A_PULSEGEN3</td><td>Cam A Pulse Generator 3</td></tr> <tr><td>CAM_A_NOT_PULSEGEN0</td><td>Not Cam A Pulse Generator 0</td></tr> <tr><td>CAM_A_NOT_PULSEGEN1</td><td>Not Cam A Pulse Generator 1</td></tr> <tr><td>CAM_A_NOT_PULSEGEN2</td><td>Not Cam A Pulse Generator 2</td></tr> <tr><td>CAM_A_NOT_PULSEGEN3</td><td>Not Cam A Pulse Generator 3</td></tr> <tr><td>BYPASS_GPI_0</td><td>Bypass GPI 0</td></tr> <tr><td>NOT_BYPASS_GPI_0</td><td>Not Bypass GPI 0</td></tr> <tr><td>BYPASS_GPI_1</td><td>Bypass GPI 1</td></tr> <tr><td>NOT_BYPASS_GPI_1</td><td>Not Bypass GPI 1</td></tr> <tr><td>BYPASS_GPI_2</td><td>Bypass GPI 2</td></tr> <tr><td>NOT_BYPASS_GPI_2</td><td>Not Bypass GPI 2</td></tr> <tr><td>BYPASS_GPI_3</td><td>Bypass GPI 3</td></tr> <tr><td>NOT_BYPASS_GPI_3</td><td>Not Bypass GPI 3</td></tr> <tr><td>BYPASS_GPI_4</td><td>Bypass GPI 4</td></tr> <tr><td>NOT_BYPASS_GPI_4</td><td>Not Bypass GPI 4</td></tr> <tr><td>BYPASS_GPI_5</td><td>Bypass GPI 5</td></tr> <tr><td>NOT_BYPASS_GPI_5</td><td>Not Bypass GPI 5</td></tr> <tr><td>BYPASS_GPI_6</td><td>Bypass GPI 6</td></tr> <tr><td>NOT_BYPASS_GPI_6</td><td>Not Bypass GPI 6</td></tr> <tr><td>BYPASS_GPI_7</td><td>Bypass GPI 7</td></tr> <tr><td>NOT_BYPASS_GPI_7</td><td>Not Bypass GPI 7</td></tr> <tr><td>BYPASS_FRONT_GPI_0</td><td>Bypass Front GPI 0</td></tr> <tr><td>NOT_BYPASS_FRONT_GPI_0</td><td>Not Bypass Front GPI 0</td></tr> <tr><td>BYPASS_FRONT_GPI_1</td><td>Bypass Front GPI 1</td></tr> <tr><td>NOT_BYPASS_FRONT_GPI_1</td><td>Not Bypass Front GPI 1</td></tr> <tr><td>BYPASS_FRONT_GPI_2</td><td>Bypass Front GPI 2</td></tr> <tr><td>NOT_BYPASS_FRONT_GPI_2</td><td>Not Bypass Front GPI 2</td></tr> <tr><td>BYPASS_FRONT_GPI_3</td><td>Bypass Front GPI 3</td></tr> <tr><td>NOT_BYPASS_FRONT_GPI_3</td><td>Not Bypass Front GPI 3</td></tr> <tr><td>PULSEGEN0</td><td>Pulse Generator 0</td></tr> <tr><td>PULSEGEN1</td><td>Pulse Generator 1</td></tr> <tr><td>PULSEGEN2</td><td>Pulse Generator 2</td></tr> <tr><td>PULSEGEN3</td><td>Pulse Generator 3</td></tr> <tr><td>NOT_PULSEGEN0</td><td>Not Pulse Generator 0</td></tr> <tr><td>NOT_PULSEGEN1</td><td>Not Pulse Generator 1</td></tr> <tr><td>NOT_PULSEGEN2</td><td>Not Pulse Generator 2</td></tr> <tr><td>NOT_PULSEGEN3</td><td>Not Pulse Generator 3</td></tr> </tbody> </table>	VCC	VCC	GND	GND	CAM_A_PULSEGEN0	Cam A Pulse Generator 0	CAM_A_PULSEGEN1	Cam A Pulse Generator 1	CAM_A_PULSEGEN2	Cam A Pulse Generator 2	CAM_A_PULSEGEN3	Cam A Pulse Generator 3	CAM_A_NOT_PULSEGEN0	Not Cam A Pulse Generator 0	CAM_A_NOT_PULSEGEN1	Not Cam A Pulse Generator 1	CAM_A_NOT_PULSEGEN2	Not Cam A Pulse Generator 2	CAM_A_NOT_PULSEGEN3	Not Cam A Pulse Generator 3	BYPASS_GPI_0	Bypass GPI 0	NOT_BYPASS_GPI_0	Not Bypass GPI 0	BYPASS_GPI_1	Bypass GPI 1	NOT_BYPASS_GPI_1	Not Bypass GPI 1	BYPASS_GPI_2	Bypass GPI 2	NOT_BYPASS_GPI_2	Not Bypass GPI 2	BYPASS_GPI_3	Bypass GPI 3	NOT_BYPASS_GPI_3	Not Bypass GPI 3	BYPASS_GPI_4	Bypass GPI 4	NOT_BYPASS_GPI_4	Not Bypass GPI 4	BYPASS_GPI_5	Bypass GPI 5	NOT_BYPASS_GPI_5	Not Bypass GPI 5	BYPASS_GPI_6	Bypass GPI 6	NOT_BYPASS_GPI_6	Not Bypass GPI 6	BYPASS_GPI_7	Bypass GPI 7	NOT_BYPASS_GPI_7	Not Bypass GPI 7	BYPASS_FRONT_GPI_0	Bypass Front GPI 0	NOT_BYPASS_FRONT_GPI_0	Not Bypass Front GPI 0	BYPASS_FRONT_GPI_1	Bypass Front GPI 1	NOT_BYPASS_FRONT_GPI_1	Not Bypass Front GPI 1	BYPASS_FRONT_GPI_2	Bypass Front GPI 2	NOT_BYPASS_FRONT_GPI_2	Not Bypass Front GPI 2	BYPASS_FRONT_GPI_3	Bypass Front GPI 3	NOT_BYPASS_FRONT_GPI_3	Not Bypass Front GPI 3	PULSEGEN0	Pulse Generator 0	PULSEGEN1	Pulse Generator 1	PULSEGEN2	Pulse Generator 2	PULSEGEN3	Pulse Generator 3	NOT_PULSEGEN0	Not Pulse Generator 0	NOT_PULSEGEN1	Not Pulse Generator 1	NOT_PULSEGEN2	Not Pulse Generator 2	NOT_PULSEGEN3	Not Pulse Generator 3
VCC	VCC																																																																																				
GND	GND																																																																																				
CAM_A_PULSEGEN0	Cam A Pulse Generator 0																																																																																				
CAM_A_PULSEGEN1	Cam A Pulse Generator 1																																																																																				
CAM_A_PULSEGEN2	Cam A Pulse Generator 2																																																																																				
CAM_A_PULSEGEN3	Cam A Pulse Generator 3																																																																																				
CAM_A_NOT_PULSEGEN0	Not Cam A Pulse Generator 0																																																																																				
CAM_A_NOT_PULSEGEN1	Not Cam A Pulse Generator 1																																																																																				
CAM_A_NOT_PULSEGEN2	Not Cam A Pulse Generator 2																																																																																				
CAM_A_NOT_PULSEGEN3	Not Cam A Pulse Generator 3																																																																																				
BYPASS_GPI_0	Bypass GPI 0																																																																																				
NOT_BYPASS_GPI_0	Not Bypass GPI 0																																																																																				
BYPASS_GPI_1	Bypass GPI 1																																																																																				
NOT_BYPASS_GPI_1	Not Bypass GPI 1																																																																																				
BYPASS_GPI_2	Bypass GPI 2																																																																																				
NOT_BYPASS_GPI_2	Not Bypass GPI 2																																																																																				
BYPASS_GPI_3	Bypass GPI 3																																																																																				
NOT_BYPASS_GPI_3	Not Bypass GPI 3																																																																																				
BYPASS_GPI_4	Bypass GPI 4																																																																																				
NOT_BYPASS_GPI_4	Not Bypass GPI 4																																																																																				
BYPASS_GPI_5	Bypass GPI 5																																																																																				
NOT_BYPASS_GPI_5	Not Bypass GPI 5																																																																																				
BYPASS_GPI_6	Bypass GPI 6																																																																																				
NOT_BYPASS_GPI_6	Not Bypass GPI 6																																																																																				
BYPASS_GPI_7	Bypass GPI 7																																																																																				
NOT_BYPASS_GPI_7	Not Bypass GPI 7																																																																																				
BYPASS_FRONT_GPI_0	Bypass Front GPI 0																																																																																				
NOT_BYPASS_FRONT_GPI_0	Not Bypass Front GPI 0																																																																																				
BYPASS_FRONT_GPI_1	Bypass Front GPI 1																																																																																				
NOT_BYPASS_FRONT_GPI_1	Not Bypass Front GPI 1																																																																																				
BYPASS_FRONT_GPI_2	Bypass Front GPI 2																																																																																				
NOT_BYPASS_FRONT_GPI_2	Not Bypass Front GPI 2																																																																																				
BYPASS_FRONT_GPI_3	Bypass Front GPI 3																																																																																				
NOT_BYPASS_FRONT_GPI_3	Not Bypass Front GPI 3																																																																																				
PULSEGEN0	Pulse Generator 0																																																																																				
PULSEGEN1	Pulse Generator 1																																																																																				
PULSEGEN2	Pulse Generator 2																																																																																				
PULSEGEN3	Pulse Generator 3																																																																																				
NOT_PULSEGEN0	Not Pulse Generator 0																																																																																				
NOT_PULSEGEN1	Not Pulse Generator 1																																																																																				
NOT_PULSEGEN2	Not Pulse Generator 2																																																																																				
NOT_PULSEGEN3	Not Pulse Generator 3																																																																																				
Default value	<b>PULSEGEN0</b>																																																																																				

Example 16.13. Usage of FG\_TRIGGERCAMERA\_OUT\_SELECT

```
int result = 0;
```

```

int value = PULSEGEN0;
const enum FgParamTypes type = FG_PARAM_TYPE_INT32_T;

if ((result = Fg_setParameterWithType(fg, FG_TRIGGERCAMERA_OUT_SELECT, &value, 0, type)) < 0) {
    /* error handling */
}

if ((result = Fg_getParameterWithType(fg, FG_TRIGGERCAMERA_OUT_SELECT, &value, 0, type)) < 0) {
    /* error handling */
}

```

## 16.11. Debug

### 16.11.1. FG\_DEBUGSOURCE

This parameter is for internal testing. Please DON'T use this parameter.

Table 16.14. Parameter properties of FG\_DEBUGSOURCE

Property	Value
Name	<b>FG_DEBUGSOURCE</b>
Display Name	<b>Debug Source</b>
Type	<b>Unsigned Integer</b>
Access policy	<b>Read/Write/Change</b>
Storage policy	<b>Persistent</b>
Allowed values	<b>Minimum 0</b> <b>Maximum 1</b> <b>Stepsize 1</b>
Default value	<b>0</b>

Example 16.14. Usage of FG\_DEBUGSOURCE

```

int result = 0;
unsigned int value = 0;
const enum FgParamTypes type = FG_PARAM_TYPE_UINT32_T;

if ((result = Fg_setParameterWithType(fg, FG_DEBUGSOURCE, &value, 0, type)) < 0) {
    /* error handling */
}

if ((result = Fg_getParameterWithType(fg, FG_DEBUGSOURCE, &value, 0, type)) < 0) {
    /* error handling */
}

```

### 16.11.2. FG\_DEBUGSOURCENAME

This parameter is for internal testing. Please DON'T use this parameter.

Table 16.15. Parameter properties of FG\_DEBUGSOURCENAME

Property	Value
Name	<b>FG_DEBUGSOURCENAME</b>
Display Name	<b>Debug Source Name</b>
Type	<b>String</b>
Access policy	<b>Read-Only</b>
Storage policy	<b>Transient</b>

**Example 16.15. Usage of FG\_DEBUGSOURCECENAME**

```

int result = 0;
char* value = "";
const enum FgParamTypes type = FG_PARAM_TYPE_CHAR_PTR;

if ((result = Fg_getParameterWithType(fg, FG_DEBUGSOURCECENAME, &value, 0, type)) < 0) {
    /* error handling */
}

```

**16.11.3. FG\_DEBUGSAVECONFIG**

This parameter is for internal testing. Please DON'T use this parameter.

Table 16.16. Parameter properties of FG\_DEBUGSAVECONFIG

Property	Value
Name	<b>FG_DEBUGSAVECONFIG</b>
Display Name	<b>Debug Save Config</b>
Type	<b>String</b>
Access policy	<b>Read/Write/Change</b>
Storage policy	<b>Transient</b>
Default value	<b>""</b>

**Example 16.16. Usage of FG\_DEBUGSAVECONFIG**

```

int result = 0;
char* value = "";
const enum FgParamTypes type = FG_PARAM_TYPE_CHAR_PTR;

if ((result = Fg_setParameterWithType(fg, FG_DEBUGSAVECONFIG, &value, 0, type)) < 0) {
    /* error handling */
}

if ((result = Fg_getParameterWithType(fg, FG_DEBUGSAVECONFIG, &value, 0, type)) < 0) {
    /* error handling */
}

```

**16.11.4. FG\_DEBUG\_SLOWMODE**

This parameter is for internal testing. Please DON'T use this parameter.

Table 16.17. Parameter properties of FG\_DEBUG\_SLOWMODE

Property	Value
Name	<b>FG_DEBUG_SLOWMODE</b>
Display Name	<b>Debug Slow Output</b>
Type	<b>Enumeration</b>
Access policy	<b>Read/Write/Change</b>
Storage policy	<b>Persistent</b>
Allowed values	<b>FG_SLOW_OFF</b> Off <b>FG_SLOW_SOFTWARE</b> Software <b>FG_SLOW_PWM</b> PWM
Default value	<b>FG_SLOW_OFF</b>

**Example 16.17. Usage of FG\_DEBUG\_SLOWMODE**

```

int result = 0;
int value = FG_SLOW_OFF;

```



```

const enum FgParamTypes type = FG_PARAM_TYPE_INT32_T;

if ((result = Fg_setParameterWithType(fg, FG_DEBUG_SLOWMODE, &value, 0, type)) < 0) {
    /* error handling */
}

if ((result = Fg_getParameterWithType(fg, FG_DEBUG_SLOWMODE, &value, 0, type)) < 0) {
    /* error handling */
}

```

### 16.11.5. FG\_DEBUG\_SOFTWRAE\_SLOWGATE

This parameter is for internal testing. Please DON'T use this parameter.

Table 16.18. Parameter properties of FG\_DEBUG\_SOFTWRAE\_SLOWGATE

Property	Value
Name	<b>FG_DEBUG_SOFTWRAE_SLOWGATE</b>
Display Name	<b>Debug Slow Software</b>
Type	<b>Enumeration</b>
Access policy	<b>Read/Write/Change</b>
Storage policy	<b>Persistent</b>
Allowed values	<b>FG_ON</b> On <b>FG_OFF</b> Off <b>FG_PULSE</b> Pulse
Default value	<b>FG_OFF</b>

Example 16.18. Usage of FG\_DEBUG\_SOFTWRAE\_SLOWGATE

```

int result = 0;
int value = FG_OFF;
const enum FgParamTypes type = FG_PARAM_TYPE_INT32_T;

if ((result = Fg_setParameterWithType(fg, FG_DEBUG_SOFTWRAE_SLOWGATE, &value, 0, type)) < 0) {
    /* error handling */
}

if ((result = Fg_getParameterWithType(fg, FG_DEBUG_SOFTWRAE_SLOWGATE, &value, 0, type)) < 0) {
    /* error handling */
}

```

### 16.11.6. FG\_DEBUG\_PWM\_SLOWRATE

This parameter is for internal testing. Please DON'T use this parameter.

Table 16.19. Parameter properties of FG\_DEBUG\_PWM\_SLOWRATE

Property	Value
Name	<b>FG_DEBUG_PWM_SLOWRATE</b>
Display Name	<b>Slowrate PWM</b>
Type	<b>Unsigned Integer (64 Bit)</b>
Access policy	<b>Read/Write/Change</b>
Storage policy	<b>Transient</b>
Allowed values	<b>Minimum</b> 0 <b>Maximum</b> 144115188075855872 <b>Stepsize</b> 1
Default value	<b>10000000</b>

**Example 16.19. Usage of FG\_DEBUG\_PWM\_SLOWRATE**

```

int result = 0;
uint64_t value = 10000000;
const enum FgParamTypes type = FG_PARAM_TYPE_UINT64_T;

if ((result = Fg_setParameterWithType(fg, FG_DEBUG_PWM_SLOWRATE, &value, 0, type)) < 0) {
    /* error handling */
}

if ((result = Fg_getParameterWithType(fg, FG_DEBUG_PWM_SLOWRATE, &value, 0, type)) < 0) {
    /* error handling */
}

```

**16.11.7. FG\_DEBUG\_VERSION**

This parameter is for internal testing. Please DON'T use this parameter.

Table 16.20. Parameter properties of FG\_DEBUG\_VERSION

Property	Value
Name	<b>FG_DEBUG_VERSION</b>
Display Name	<b>Version</b>
Type	<b>String</b>
Access policy	<b>Read-Only</b>
Storage policy	<b>Transient</b>

**Example 16.20. Usage of FG\_DEBUG\_VERSION**

```

int result = 0;
char* value = "";
const enum FgParamTypes type = FG_PARAM_TYPE_CHAR_PTR;

if ((result = Fg_getParameterWithType(fg, FG_DEBUG_VERSION, &value, 0, type)) < 0) {
    /* error handling */
}

```

**16.11.8. FG\_DEBUG\_FRAMEID\_TO\_FIRSTPIXEL**

This parameter is for internal testing. Please DON'T use this parameter.

Table 16.21. Parameter properties of FG\_DEBUG\_FRAMEID\_TO\_FIRSTPIXEL

Property	Value
Name	<b>FG_DEBUG_FRAMEID_TO_FIRSTPIXEL</b>
Display Name	<b>FrameID mapped</b>
Type	<b>Enumeration</b>
Access policy	<b>Read/Write/Change</b>
Storage policy	<b>Transient</b>
Allowed values	<b>FG_ON</b> On <b>FG_OFF</b> Off
Default value	<b>FG_OFF</b>

**Example 16.21. Usage of FG\_DEBUG\_FRAMEID\_TO\_FIRSTPIXEL**

```

int result = 0;
int value = FG_OFF;
const enum FgParamTypes type = FG_PARAM_TYPE_INT32_T;

if ((result = Fg_setParameterWithType(fg, FG_DEBUG_FRAMEID_TO_FIRSTPIXEL, &value, 0, type)) < 0) {
    /* error handling */
}

```

```

}
if ((result = Fg_getParameterWithType(fg, FG_DEBUG_FRAMEID_TO_FIRSTPIXEL, &value, 0, type)) < 0) {
    /* error handling */
}

```

## 16.11.9. Input

### 16.11.9.1. FG\_DEBUGINENABLE

This parameter is for internal testing. Please DON'T use this parameter.

Table 16.22. Parameter properties of FG\_DEBUGINENABLE

Property	Value
Name	<b>FG_DEBUGINENABLE</b>
Display Name	<b>Debug Input Mode</b>
Type	<b>Enumeration</b>
Access policy	<b>Read/Write/Change</b>
Storage policy	<b>Persistent</b>
Allowed values	<b>FG_ON</b> On <b>FG_OFF</b> Off
Default value	<b>FG_OFF</b>

Example 16.22. Usage of FG\_DEBUGINENABLE

```

int result = 0;
int value = FG_OFF;
const enum FgParamTypes type = FG_PARAM_TYPE_INT32_T;

if ((result = Fg_setParameterWithType(fg, FG_DEBUGINENABLE, &value, 0, type)) < 0) {
    /* error handling */
}

if ((result = Fg_getParameterWithType(fg, FG_DEBUGINENABLE, &value, 0, type)) < 0) {
    /* error handling */
}

```

### 16.11.9.2. FG\_DEBUGFILE

This parameter is for internal testing. Please DON'T use this parameter.

Table 16.23. Parameter properties of FG\_DEBUGFILE

Property	Value
Name	<b>FG_DEBUGFILE</b>
Display Name	<b>Debug File</b>
Type	<b>String</b>
Access policy	<b>Read/Write/Change</b>
Storage policy	<b>Persistent</b>
Default value	<b>""</b>

Example 16.23. Usage of FG\_DEBUGFILE

```

int result = 0;
char* value = "";
const enum FgParamTypes type = FG_PARAM_TYPE_CHAR_PTR;

```

```

if ((result = Fg_setParameterWithType(fg, FG_DEBUGFILE, &value, 0, type)) < 0) {
    /* error handling */
}

if ((result = Fg_getParameterWithType(fg, FG_DEBUGFILE, &value, 0, type)) < 0) {
    /* error handling */
}

```

### 16.11.9.3. FG\_DEBUGINSERT

This parameter is for internal testing. Please DON'T use this parameter.

Table 16.24. Parameter properties of FG\_DEBUGINSERT

Property	Value
Name	<b>FG_DEBUGINSERT</b>
Display Name	<b>Debug Insert Image</b>
Type	<b>Enumeration</b>
Access policy	<b>Read/Write/Change</b>
Storage policy	<b>Transient</b>
Allowed values	<b>FG_APPLY</b> Apply
Default value	<b>FG_APPLY</b>

Example 16.24. Usage of FG\_DEBUGINSERT

```

int result = 0;
int value = FG_APPLY;
const enum FgParamTypes type = FG_PARAM_TYPE_INT32_T;

if ((result = Fg_setParameterWithType(fg, FG_DEBUGINSERT, &value, 0, type)) < 0) {
    /* error handling */
}

if ((result = Fg_getParameterWithType(fg, FG_DEBUGINSERT, &value, 0, type)) < 0) {
    /* error handling */
}

```

### 16.11.9.4. FG\_DEBUGWRITEPIXEL

This parameter is for internal testing. Please DON'T use this parameter.

Table 16.25. Parameter properties of FG\_DEBUGWRITEPIXEL

Property	Value
Name	<b>FG_DEBUGWRITEPIXEL</b>
Display Name	<b>Debug Write Pixel</b>
Type	<b>Unsigned Integer (64 Bit)</b>
Access policy	<b>Read/Write/Change</b>
Storage policy	<b>Transient</b>
Allowed values	<b>Minimum 0</b> <b>Maximum 144115188075855872</b> <b>Stepsize 1</b>
Default value	<b>0</b>

Example 16.25. Usage of FG\_DEBUGWRITEPIXEL

```

int result = 0;
uint64_t value = 0;

```

```

const enum FgParamTypes type = FG_PARAM_TYPE_UINT64_T;

if ((result = Fg_setParameterWithType(fg, FG_DEBUGWRITEPIXEL, &value, 0, type)) < 0) {
    /* error handling */
}

if ((result = Fg_getParameterWithType(fg, FG_DEBUGWRITEPIXEL, &value, 0, type)) < 0) {
    /* error handling */
}

```

### 16.11.9.5. FG\_DEBUGWRITEFLAG

This parameter is for internal testing. Please DON'T use this parameter.

Table 16.26. Parameter properties of FG\_DEBUGWRITEFLAG

Property	Value
Name	<b>FG_DEBUGWRITEFLAG</b>
Display Name	<b>Debug Write Flag</b>
Type	<b>Enumeration</b>
Access policy	<b>Read/Write/Change</b>
Storage policy	<b>Transient</b>
Allowed values	<b>FG_ENDOFLINE</b> EndOfLine <b>FG_ENDOFFRAME</b> EndOfFrame
Default value	<b>FG_ENDOFLINE</b>

Example 16.26. Usage of FG\_DEBUGWRITEFLAG

```

int result = 0;
int value = FG_ENDOFLINE;
const enum FgParamTypes type = FG_PARAM_TYPE_INT32_T;

if ((result = Fg_setParameterWithType(fg, FG_DEBUGWRITEFLAG, &value, 0, type)) < 0) {
    /* error handling */
}

if ((result = Fg_getParameterWithType(fg, FG_DEBUGWRITEFLAG, &value, 0, type)) < 0) {
    /* error handling */
}

```

### 16.11.9.6. FG\_DEBUGREADY

This parameter is for internal testing. Please DON'T use this parameter.

Table 16.27. Parameter properties of FG\_DEBUGREADY

Property	Value
Name	<b>FG_DEBUGREADY</b>
Display Name	<b>Debug Write Ready</b>
Type	<b>Enumeration</b>
Access policy	<b>Read-Only</b>
Storage policy	<b>Transient</b>
Allowed values	<b>FG_YES</b> Yes <b>FG_NO</b> No

Example 16.27. Usage of FG\_DEBUGREADY

```

int result = 0;
int value = FG_NOE;
const enum FgParamTypes type = FG_PARAM_TYPE_INT32_T;

```

```

if ((result = Fg_getParameterWithType(fg, FG_DEBUGREADY, &value, 0, type)) < 0) {
    /* error handling */
}

```

### 16.11.9.7. FG\_DEBUG\_FORCE\_FRAMEID

This parameter is for internal testing. Please DON'T use this parameter.

Table 16.28. Parameter properties of FG\_DEBUG\_FORCE\_FRAMEID

Property	Value
Name	<b>FG_DEBUG_FORCE_FRAMEID</b>
Display Name	<b>Debug force FrameID</b>
Type	<b>Enumeration</b>
Access policy	<b>Read/Write/Change</b>
Storage policy	<b>Persistent</b>
Allowed values	<b>FG_ON</b> On <b>FG_OFF</b> Off
Default value	<b>FG_OFF</b>

Example 16.28. Usage of FG\_DEBUG\_FORCE\_FRAMEID

```

int result = 0;
int value = FG_OFF;
const enum FgParamTypes type = FG_PARAM_TYPE_INT32_T;

if ((result = Fg_setParameterWithType(fg, FG_DEBUG_FORCE_FRAMEID, &value, 0, type)) < 0) {
    /* error handling */
}

if ((result = Fg_getParameterWithType(fg, FG_DEBUG_FORCE_FRAMEID, &value, 0, type)) < 0) {
    /* error handling */
}

```

### 16.11.9.8. FG\_DEBUG\_FRAMEID

This parameter is for internal testing. Please DON'T use this parameter.

Table 16.29. Parameter properties of FG\_DEBUG\_FRAMEID

Property	Value
Name	<b>FG_DEBUG_FRAMEID</b>
Display Name	<b>Debug FrameID</b>
Type	<b>Unsigned Integer</b>
Access policy	<b>Read/Write/Change</b>
Storage policy	<b>Persistent</b>
Allowed values	<b>Minimum</b> 0 <b>Maximum</b> 65535 <b>Stepsize</b> 1
Default value	<b>0</b>

Example 16.29. Usage of FG\_DEBUG\_FRAMEID

```

int result = 0;
unsigned int value = 0;
const enum FgParamTypes type = FG_PARAM_TYPE_UINT32_T;

```

```

if ((result = Fg_setParameterWithType(fg, FG_DEBUG_FRAMEID, &value, 0, type)) < 0) {
    /* error handling */
}

if ((result = Fg_getParameterWithType(fg, FG_DEBUG_FRAMEID, &value, 0, type)) < 0) {
    /* error handling */
}

```

## 16.11.10. Output

### 16.11.10.1. FG\_DEBUGOUTENABLE

This parameter is for internal testing. Please DON'T use this parameter.

Table 16.30. Parameter properties of FG\_DEBUGOUTENABLE

Property	Value
Name	<b>FG_DEBUGOUTENABLE</b>
Display Name	<b>Debug Output Mode</b>
Type	<b>Enumeration</b>
Access policy	<b>Read/Write/Change</b>
Storage policy	<b>Persistent</b>
Allowed values	<b>FG_ON</b> On <b>FG_OFF</b> Off
Default value	<b>FG_OFF</b>

Example 16.30. Usage of FG\_DEBUGOUTENABLE

```

int result = 0;
int value = FG_OFF;
const enum FgParamTypes type = FG_PARAM_TYPE_INT32_T;

if ((result = Fg_setParameterWithType(fg, FG_DEBUGOUTENABLE, &value, 0, type)) < 0) {
    /* error handling */
}

if ((result = Fg_getParameterWithType(fg, FG_DEBUGOUTENABLE, &value, 0, type)) < 0) {
    /* error handling */
}

```

### 16.11.10.2. FG\_DEBUGOUTXPOS

This parameter is for internal testing. Please DON'T use this parameter.

Table 16.31. Parameter properties of FG\_DEBUGOUTXPOS

Property	Value
Name	<b>FG_DEBUGOUTXPOS</b>
Display Name	<b>Debug Output XPosition</b>
Type	<b>Unsigned Integer</b>
Access policy	<b>Read-Only</b>
Storage policy	<b>Transient</b>
Allowed values	<b>Minimum</b> 64 <b>Maximum</b> 32768 <b>Stepsize</b> 1
Unit of measure	<b>pixel</b>

**Example 16.31. Usage of FG\_DEBUGOUTXPOS**

```

int result = 0;
unsigned int value = 0;
const enum FgParamTypes type = FG_PARAM_TYPE_UINT32_T;

if ((result = Fg_getParameterWithType(fg, FG_DEBUGOUTXPOS, &value, 0, type)) < 0) {
    /* error handling */
}

```

**16.11.10.3. FG\_DEBUGOUTYPOS**

This parameter is for internal testing. Please DON'T use this parameter.

Table 16.32. Parameter properties of FG\_DEBUGOUTYPOS

Property	Value
Name	<b>FG_DEBUGOUTYPOS</b>
Display Name	<b>Debug Output YPosition</b>
Type	<b>Unsigned Integer</b>
Access policy	<b>Read-Only</b>
Storage policy	<b>Transient</b>
Allowed values	<b>Minimum 2</b> <b>Maximum 65536</b> <b>Stepsize 1</b>
Unit of measure	<b>pixel</b>

**Example 16.32. Usage of FG\_DEBUGOUTYPOS**

```

int result = 0;
unsigned int value = 0;
const enum FgParamTypes type = FG_PARAM_TYPE_UINT32_T;

if ((result = Fg_getParameterWithType(fg, FG_DEBUGOUTYPOS, &value, 0, type)) < 0) {
    /* error handling */
}

```

**16.11.10.4. FG\_DEBUGOUTPIXEL**

This parameter is for internal testing. Please DON'T use this parameter.

Table 16.33. Parameter properties of FG\_DEBUGOUTPIXEL

Property	Value
Name	<b>FG_DEBUGOUTPIXEL</b>
Display Name	<b>Debug Output Pixel</b>
Type	<b>Unsigned Integer</b>
Access policy	<b>Read-Only</b>
Storage policy	<b>Transient</b>
Allowed values	<b>Minimum 0</b> <b>Maximum -1</b> <b>Stepsize 1</b>
Unit of measure	<b>pixel</b>

**Example 16.33. Usage of FG\_DEBUGOUTPIXEL**

```

int result = 0;

```



```

unsigned int value = 0;
const enum FgParamTypes type = FG_PARAM_TYPE_UINT32_T;

if ((result = Fg_getParameterWithType(fg, FG_DEBUGOUTPIXEL, &value, 0, type)) < 0) {
    /* error handling */
}

```

## 16.12. GenTL

### 16.12.1. FG\_GENTL\_INFO\_VERSION

This parameter gives the version of the GenTL description used by our GenTL producer. This parameter is of internal use only.

Table 16.34. Parameter properties of FG\_GENTL\_INFO\_VERSION

Property	Value
Name	<b>FG_GENTL_INFO_VERSION</b>
Display Name	<b>Version</b>
Type	<b>String</b>
Access policy	<b>Read-Only</b>
Storage policy	<b>Transient</b>
Unit of measure	

Example 16.34. Usage of FG\_GENTL\_INFO\_VERSION

```

int result = 0;
char* value = "";
const enum FgParamTypes type = FG_PARAM_TYPE_CHAR_PTR;

if ((result = Fg_getParameterWithType(fg, FG_GENTL_INFO_VERSION, &value, 0, type)) < 0) {
    /* error handling */
}

```

### 16.12.2. FG\_GENTL\_INFO\_IGNOREFGFORMAT

This parameter describes the handling of outputformats in the GenTL producer. If the parameter is set to 1 the handling of Output formats is done by the producer ignoring the Outputformatsettings of the Applet.

Table 16.35. Parameter properties of FG\_GENTL\_INFO\_IGNOREFGFORMAT

Property	Value
Name	<b>FG_GENTL_INFO_IGNOREFGFORMAT</b>
Display Name	<b>IgnoreFGFormat</b>
Type	<b>String</b>
Access policy	<b>Read-Only</b>
Storage policy	<b>Transient</b>

Example 16.35. Usage of FG\_GENTL\_INFO\_IGNOREFGFORMAT

```

int result = 0;
char* value = "";
const enum FgParamTypes type = FG_PARAM_TYPE_CHAR_PTR;

if ((result = Fg_getParameterWithType(fg, FG_GENTL_INFO_IGNOREFGFORMAT, &value, 0, type)) < 0) {
    /* error handling */
}

```

### 16.12.3. FG\_GENTL\_INFO\_OVERFLOWCAPABLE

This parameter informs the producer that the Applet is capable of extended overflow management.

Table 16.36. Parameter properties of FG\_GENTL\_INFO\_OVERFLOWCAPABLE

Property	Value
Name	<b>FG_GENTL_INFO_OVERFLOWCAPABLE</b>
Display Name	<b>OverflowCapable</b>
Type	<b>String</b>
Access policy	<b>Read-Only</b>
Storage policy	<b>Transient</b>

Example 16.36. Usage of FG\_GENTL\_INFO\_OVERFLOWCAPABLE

```
int result = 0;
char* value = "";
const enum FgParamTypes type = FG_PARAM_TYPE_CHAR_PTR;

if ((result = Fg_getParameterWithType(fg, FG_GENTL_INFO_OVERFLOWCAPABLE, &value, 0, type)) < 0) {
    /* error handling */
}
```

## 16.13. GPIO Configuration

### 16.13.1. FG\_EXTENSION\_GPO\_TYPE

Table 16.37. Parameter properties of FG\_EXTENSION\_GPO\_TYPE

Property	Value
Name	<b>FG_EXTENSION_GPO_TYPE</b>
Display Name	<b>Extension GPO Type</b>
Type	<b>Enumeration</b>
Access policy	<b>Read/Write</b>
Storage policy	<b>Transient</b>
Allowed values	<b>FG_GPO_PUSH_PULL</b> Push/pull configuration <b>FG_GPO_OPEN_DRAIN</b> Open drain configuration
Default value	<b>FG_GPO_OPEN_DRAIN</b>

Example 16.37. Usage of FG\_EXTENSION\_GPO\_TYPE

```
int result = 0;
int value = FG_GPO_OPEN_DRAIN;
const enum FgParamTypes type = FG_PARAM_TYPE_INT32_T;

if ((result = Fg_setParameterWithType(fg, FG_EXTENSION_GPO_TYPE, &value, 0, type)) < 0) {
    /* error handling */
}

if ((result = Fg_getParameterWithType(fg, FG_EXTENSION_GPO_TYPE, &value, 0, type)) < 0) {
    /* error handling */
}
```

### 16.13.2. FG\_FRONT\_GPI\_PULL\_CONTROL

This parameter either activates the FPGA-internal pull-up or pull-down resistors for the front GPIs. In pull-up mode, the incoming signal must have been actively driven low, while in pull-down mode it must have been actively driven high.

Table 16.38. Parameter properties of FG\_FRONT\_GPI\_PULL\_CONTROL

Property	Value
Name	<b>FG_FRONT_GPI_PULL_CONTROL</b>
Display Name	<b>Front GPI Pull Control</b>
Type	<b>Enumeration</b>
Access policy	<b>Read/Write</b>
Storage policy	<b>Transient</b>
Allowed values	<b>FG_FRONT_GPI_PULL_DOWN</b> Pull-down <b>FG_FRONT_GPI_PULL_UP</b> Pull-up
Default value	<b>FG_FRONT_GPI_PULL_UP</b>

Example 16.38. Usage of FG\_FRONT\_GPI\_PULL\_CONTROL

```
int result = 0;
int value = FG_FRONT_GPI_PULL_UP;
const enum FgParamTypes type = FG_PARAM_TYPE_INT32_T;

if ((result = Fg_setParameterWithType(fg, FG_FRONT_GPI_PULL_CONTROL, &value, 0, type)) < 0) {
    /* error handling */
}

if ((result = Fg_getParameterWithType(fg, FG_FRONT_GPI_PULL_CONTROL, &value, 0, type)) < 0) {
    /* error handling */
}
```

### 16.13.3. FG\_FRONT\_GPI\_TYPE

With this parameter, the front GPIs are configured either as single-ended signals or as differential signals.

Table 16.39. Parameter properties of FG\_FRONT\_GPI\_TYPE

Property	Value
Name	<b>FG_FRONT_GPI_TYPE</b>
Display Name	<b>Front GPI Signal Type</b>
Type	<b>Enumeration</b>
Access policy	<b>Read/Write</b>
Storage policy	<b>Transient</b>
Allowed values	<b>FG_FRONT_GPI_SINGLE_ENDED</b> Single-ended <b>FG_FRONT_GPI_DIFFERENTIAL</b> Differential
Default value	<b>FG_FRONT_GPI_SINGLE_ENDED</b>

Example 16.39. Usage of FG\_FRONT\_GPI\_TYPE

```
int result = 0;
int value = FG_FRONT_GPI_SINGLE_ENDED;
const enum FgParamTypes type = FG_PARAM_TYPE_INT32_T;

if ((result = Fg_setParameterWithType(fg, FG_FRONT_GPI_TYPE, &value, 0, type)) < 0) {
    /* error handling */
}

if ((result = Fg_getParameterWithType(fg, FG_FRONT_GPI_TYPE, &value, 0, type)) < 0) {
    /* error handling */
}
```

### 16.13.4. FG\_FRONT\_GPO\_INVERSION

When enabled, the output of the front GPOs are inverted.

Table 16.40. Parameter properties of FG\_FRONT\_GPO\_INVERSION

Property	Value
Name	<b>FG_FRONT_GPO_INVERSION</b>
Display Name	<b>Front GPO Inversion</b>
Type	<b>Enumeration</b>
Access policy	<b>Read/Write</b>
Storage policy	<b>Transient</b>
Allowed values	<b>FG_FRONT_GPO_INVERSION_OFF</b> Inversion off <b>FG_FRONT_GPO_INVERSION_ON</b> Inversion on
Default value	<b>FG_FRONT_GPO_INVERSION_OFF</b>

Example 16.40. Usage of FG\_FRONT\_GPO\_INVERSION

```

int result = 0;
int value = FG_FRONT_GPO_INVERSION_OFF;
const enum FgParamTypes type = FG_PARAM_TYPE_INT32_T;

if ((result = Fg_setParameterWithType(fg, FG_FRONT_GPO_INVERSION, &value, 0, type)) < 0) {
    /* error handling */
}

if ((result = Fg_getParameterWithType(fg, FG_FRONT_GPO_INVERSION, &value, 0, type)) < 0) {
    /* error handling */
}

```

---

# Chapter 17. Boardstatus

This category gives information about the current framegrabber board status. For example, the number of used PCIe lanes, or the mapping of the physical and logical CXP ports. For imaWorx and imaFLex, it also shows if a trigger board is connected.

## 17.1. FG\_SYSTEMMONITOR\_CHANNEL\_CURRENT

Returns the power consumption of the CXP channel (PoCXP) in Ampere.

Table 17.1. Parameter properties of FG\_SYSTEMMONITOR\_CHANNEL\_CURRENT

Property	Value
Name	<b>FG_SYSTEMMONITOR_CHANNEL_CURRENT</b>
Display Name	<b>Systemmonitor Channel Current</b>
Type	<b>Double Field</b>
Field Size	<b>5</b>
Access policy	<b>Read-Only</b>
Storage policy	<b>Transient</b>
Unit of measure	<b>A</b>

Example 17.1. Usage of FG\_SYSTEMMONITOR\_CHANNEL\_CURRENT

```
int result = 0;

FieldParameterDouble access;
const enum FgParamTypes type = FG_PARAM_TYPE_STRUCT_FIELDPARAMDOUBLE;

if ((result = Fg_getParameterWithType(fg, FG_SYSTEMMONITOR_CHANNEL_CURRENT, &access, 0, type)) < 0) {
    /* error handling */
}
}
```

## 17.2. FG\_SYSTEMMONITOR\_CHANNEL\_VOLTAGE

Returns the voltage of the CXP channel (PoCXP).

Table 17.2. Parameter properties of FG\_SYSTEMMONITOR\_CHANNEL\_VOLTAGE

Property	Value
Name	<b>FG_SYSTEMMONITOR_CHANNEL_VOLTAGE</b>
Display Name	<b>Systemmonitor Channel Voltage</b>
Type	<b>Double Field</b>
Field Size	<b>5</b>
Access policy	<b>Read-Only</b>
Storage policy	<b>Transient</b>
Unit of measure	<b>V</b>

Example 17.2. Usage of FG\_SYSTEMMONITOR\_CHANNEL\_VOLTAGE

```
int result = 0;
```

```

FieldParameterDouble access;
const enum FgParamTypes type = FG_PARAM_TYPE_STRUCT_FIELDPARAMDOUBLE;

    if ((result = Fg_getParameterWithType(fg, FG_SYSTEMMONITOR_CHANNEL_VOLTAGE, &access, 0, type)) < 0) {
        /* error handling */
    }
}

```

### 17.3. FG\_SYSTEMMONITOR\_MAPPED\_TO\_FG\_PORT

Indicates the frame grabber port mapping. Range: between 0 and 3.

Table 17.3. Parameter properties of FG\_SYSTEMMONITOR\_MAPPED\_TO\_FG\_PORT

Property	Value
Name	FG_SYSTEMMONITOR_MAPPED_TO_FG_PORT
Display Name	Systemmonitor Mapped to Fg Port
Type	Unsigned Integer Field
Field Size	5
Access policy	Read-Only
Storage policy	Transient

Example 17.3. Usage of FG\_SYSTEMMONITOR\_MAPPED\_TO\_FG\_PORT

```

int result = 0;

FieldParameterInt access;
const enum FgParamTypes type = FG_PARAM_TYPE_STRUCT_FIELDPARAMINT;

    if ((result = Fg_getParameterWithType(fg, FG_SYSTEMMONITOR_MAPPED_TO_FG_PORT, &access, 0, type)) < 0) {
        /* error handling */
    }
}

```

### 17.4. FG\_DMASTATUS

Returns the status of the DMA transmission, i.e. the acquisition state. 0 = stopped DMA, 1 = started DMA.

Table 17.4. Parameter properties of FG\_DMASTATUS

Property	Value
Name	FG_DMASTATUS
Display Name	DMA Status
Type	Unsigned Integer
Access policy	Read-Only
Storage policy	Transient
Allowed values	<b>Minimum</b> 0 <b>Maximum</b> 1 <b>Stepsize</b> 1

Example 17.4. Usage of FG\_DMASTATUS

```

int result = 0;
unsigned int value = 0;
const enum FgParamTypes type = FG_PARAM_TYPE_UINT32_T;

if ((result = Fg_getParameterWithType(fg, FG_DMASTATUS, &value, 0, type)) < 0) {
    /* error handling */
}

```

}

## 17.5. FG\_SYSTEMMONITOR\_FPGA\_TEMPERATURE

Returns the current FGPA temperature.

Table 17.5. Parameter properties of FG\_SYSTEMMONITOR\_FPGA\_TEMPERATURE

Property	Value
Name	<b>FG_SYSTEMMONITOR_FPGA_TEMPERATURE</b>
Display Name	<b>Systemmonitor FGPA Temperature</b>
Type	<b>Double</b>
Access policy	<b>Read-Only</b>
Storage policy	<b>Transient</b>
Allowed values	<b>Minimum 0.0</b> <b>Maximum 1000.0</b> <b>Stepsize 0.0</b>
Unit of measure	<b>Celsius</b>

Example 17.5. Usage of FG\_SYSTEMMONITOR\_FPGA\_TEMPERATURE

```
int result = 0;
double value = 0.0;
const enum FgParamTypes type = FG_PARAM_TYPE_DOUBLE;

if ((result = Fg_getParameterWithType(fg, FG_SYSTEMMONITOR_FPGA_TEMPERATURE, &value, 0, type)) < 0) {
    /* error handling */
}
```

## 17.6. FG\_SYSTEMMONITOR\_FPGA\_VCC\_INT

Returns the internal voltage of the FPGA.

Table 17.6. Parameter properties of FG\_SYSTEMMONITOR\_FPGA\_VCC\_INT

Property	Value
Name	<b>FG_SYSTEMMONITOR_FPGA_VCC_INT</b>
Display Name	<b>Systemmonitor FGPA Vcc Int</b>
Type	<b>Double</b>
Access policy	<b>Read-Only</b>
Storage policy	<b>Transient</b>
Allowed values	<b>Minimum -1000.0</b> <b>Maximum 1000.0</b> <b>Stepsize 0.0</b>
Unit of measure	<b>V</b>

Example 17.6. Usage of FG\_SYSTEMMONITOR\_FPGA\_VCC\_INT

```
int result = 0;
double value = 0.0;
const enum FgParamTypes type = FG_PARAM_TYPE_DOUBLE;

if ((result = Fg_getParameterWithType(fg, FG_SYSTEMMONITOR_FPGA_VCC_INT, &value, 0, type)) < 0) {
    /* error handling */
}
```

}

## 17.7. FG\_SYSTEMMONITOR\_FPGA\_VCC\_AUX

Returns the VCC auxiliary voltage of the FPGA.

Table 17.7. Parameter properties of FG\_SYSTEMMONITOR\_FPGA\_VCC\_AUX

Property	Value
Name	FG_SYSTEMMONITOR_FPGA_VCC_AUX
Display Name	FGPA Vcc Aux
Type	Double
Access policy	Read-Only
Storage policy	Transient
Allowed values	Minimum -1000.0 Maximum 1000.0 Stepsize 0.0
Unit of measure	V

Example 17.7. Usage of FG\_SYSTEMMONITOR\_FPGA\_VCC\_AUX

```
int result = 0;
double value = 0.0;
const enum FgParamTypes type = FG_PARAM_TYPE_DOUBLE;

if ((result = Fg_getParameterWithType(fg, FG_SYSTEMMONITOR_FPGA_VCC_AUX, &value, 0, type)) < 0) {
    /* error handling */
}
```

## 17.8. FG\_SYSTEMMONITOR\_FPGA\_VCC\_BRAM

Returns the VCC of the BlockRAM voltage of the FPGA.

Table 17.8. Parameter properties of FG\_SYSTEMMONITOR\_FPGA\_VCC\_BRAM

Property	Value
Name	FG_SYSTEMMONITOR_FPGA_VCC_BRAM
Display Name	Systemmonitor FGPA Vcc BRAM
Type	Double
Access policy	Read-Only
Storage policy	Transient
Allowed values	Minimum -1000.0 Maximum 1000.0 Stepsize 0.0
Unit of measure	V

Example 17.8. Usage of FG\_SYSTEMMONITOR\_FPGA\_VCC\_BRAM

```
int result = 0;
double value = 0.0;
const enum FgParamTypes type = FG_PARAM_TYPE_DOUBLE;

if ((result = Fg_getParameterWithType(fg, FG_SYSTEMMONITOR_FPGA_VCC_BRAM, &value, 0, type)) < 0) {
    /* error handling */
}
```



## 17.9. FG\_SYSTEMMONITOR\_CURRENT\_LINK\_WIDTH

Returns the current link width of the frame grabber representing the number of PCIe lanes that are used for data transfer. This is a value that should correspond to the number of hardware lanes the frame grabber is requiring, otherwise the possible maximum of DMA bandwidth can be reduced drastically.

Table 17.9. Parameter properties of FG\_SYSTEMMONITOR\_CURRENT\_LINK\_WIDTH

Property	Value
Name	<b>FG_SYSTEMMONITOR_CURRENT_LINK_WIDTH</b>
Display Name	<b>Current Link Width</b>
Type	<b>Unsigned Integer</b>
Access policy	<b>Read-Only</b>
Storage policy	<b>Transient</b>
Allowed values	<b>Minimum 0</b> <b>Maximum 15</b> <b>Stepsize 0</b>
Unit of measure	<b>lanes</b>

Example 17.9. Usage of FG\_SYSTEMMONITOR\_CURRENT\_LINK\_WIDTH

```
int result = 0;
unsigned int value = 0;
const enum FgParamTypes type = FG_PARAM_TYPE_UINT32_T;

if ((result = Fg_getParameterWithType(fg, FG_SYSTEMMONITOR_CURRENT_LINK_WIDTH, &value, 0, type)) < 0) {
    /* error handling */
}
```

## 17.10. FG\_SYSTEMMONITOR\_CURRENT\_LINK\_SPEED

Returns the current link width of the frame grabber representing the number of PCIe lanes that are used for data transfer. This is a value that should correspond to the number of hardware lanes the frame grabber is requiring, otherwise the possible maximum of DMA bandwidth can be reduced drastically.

Table 17.10. Parameter properties of FG\_SYSTEMMONITOR\_CURRENT\_LINK\_SPEED

Property	Value
Name	<b>FG_SYSTEMMONITOR_CURRENT_LINK_SPEED</b>
Display Name	<b>Systemmonitor Current Link Speed</b>
Type	<b>Double</b>
Access policy	<b>Read-Only</b>
Storage policy	<b>Transient</b>
Allowed values	<b>Minimum 0.0</b> <b>Maximum 1000.0</b> <b>Stepsize 0.0</b>
Unit of measure	<b>Gb/s</b>

Example 17.10. Usage of FG\_SYSTEMMONITOR\_CURRENT\_LINK\_SPEED

```
int result = 0;
double value = 0.0;
const enum FgParamTypes type = FG_PARAM_TYPE_DOUBLE;

if ((result = Fg_getParameterWithType(fg, FG_SYSTEMMONITOR_CURRENT_LINK_SPEED, &value, 0, type)) < 0) {
    /* error handling */
}
```

}

## 17.11. FG\_SYSTEMMONITOR\_PCIE\_TRAINED\_PAYLOAD\_SIZE

Returns the PCIe packet size that was evaluated during the training period at boot-time.

Table 17.11. Parameter properties of FG\_SYSTEMMONITOR\_PCIE\_TRAINED\_PAYLOAD\_SIZE

Property	Value
Name	FG_SYSTEMMONITOR_PCIE_TRAINED_PAYLOAD_SIZE
Display Name	Systemmonitor PCIe Trained Payload Size
Type	Unsigned Integer
Access policy	Read-Only
Storage policy	Transient
Allowed values	Minimum 0 Maximum 1024 Stepsize 0
Unit of measure	byte

Example 17.11. Usage of FG\_SYSTEMMONITOR\_PCIE\_TRAINED\_PAYLOAD\_SIZE

```
int result = 0;
unsigned int value = 0;
const enum FgParamTypes type = FG_PARAM_TYPE_UINT32_T;

if ((result = Fg_getParameterWithType(fg, FG_SYSTEMMONITOR_PCIE_TRAINED_PAYLOAD_SIZE, &value, 0, type)) < 0) {
    /* error handling */
}
```

## 17.12. FG\_SYSTEMMONITOR\_PCIE\_TRAINED\_REQUEST\_SIZE

Returns the size (in bytes) of the PCIe packets payload that are used for the data transmission between the frame grabber and the PCIe bridge.

Table 17.12. Parameter properties of FG\_SYSTEMMONITOR\_PCIE\_TRAINED\_REQUEST\_SIZE

Property	Value
Name	FG_SYSTEMMONITOR_PCIE_TRAINED_REQUEST_SIZE
Display Name	Systemmonitor PCIe Trained Request Size
Type	Unsigned Integer
Access policy	Read-Only
Storage policy	Transient
Allowed values	Minimum 0 Maximum 4096 Stepsize 0
Unit of measure	byte

Example 17.12. Usage of FG\_SYSTEMMONITOR\_PCIE\_TRAINED\_REQUEST\_SIZE

```
int result = 0;
unsigned int value = 0;
const enum FgParamTypes type = FG_PARAM_TYPE_UINT32_T;

if ((result = Fg_getParameterWithType(fg, FG_SYSTEMMONITOR_PCIE_TRAINED_REQUEST_SIZE, &value, 0, type)) < 0) {
    /* error handling */
}
```

}

## 17.13. FG\_SYSTEMMONITOR\_EXTERNAL\_POWER

Indicates whether the external power connector is connected.

Table 17.13. Parameter properties of FG\_SYSTEMMONITOR\_EXTERNAL\_POWER

Property	Value
Name	FG_SYSTEMMONITOR_EXTERNAL_POWER
Display Name	Systemmonitor External Power
Type	Enumeration
Access policy	Read-Only
Storage policy	Transient
Allowed values	FG_GOOD Good FG_NO_POWER No Power

Example 17.13. Usage of FG\_SYSTEMMONITOR\_EXTERNAL\_POWER

```
int result = 0;
int value = NO_POWER;
const enum FgParamTypes type = FG_PARAM_TYPE_INT32_T;

if ((result = Fg_getParameterWithType(fg, FG_SYSTEMMONITOR_EXTERNAL_POWER, &value, 0, type)) < 0) {
    /* error handling */
}
```

## 17.14. FG\_CXP\_INPUT\_MAPPED\_FW\_PORT\_PORT

This parameter returns the firmware CXP channel, which is currently monitored by the module. There is not necessarily a one-by-one mapping between firmware port (i.e. the camera port resource) and frame grabber port (i.e. the physical connector). Instead, the mapping can be any permutation. The software discovery process reorders the channels and ports to achieve correct virtual interconnect. Range: 0 to 3 (2 bit).

Table 17.14. Parameter properties of FG\_CXP\_INPUT\_MAPPED\_FW\_PORT\_PORT

Property	Value
Name	FG_CXP_INPUT_MAPPED_FW_PORT_PORT
Display Name	CXP Input Mapped to Firmware Port Port
Type	Unsigned Integer Field
Field Size	5
Access policy	Read-Only
Storage policy	Transient

Example 17.14. Usage of FG\_CXP\_INPUT\_MAPPED\_FW\_PORT\_PORT

```
int result = 0;

FieldParameterInt access;
const enum FgParamTypes type = FG_PARAM_TYPE_STRUCT_FIELDPARAMINT;

if ((result = Fg_getParameterWithType(fg, FG_CXP_INPUT_MAPPED_FW_PORT_PORT, &access, 0, type)) < 0) {
    /* error handling */
}
}
```

---

# Chapter 18. Errors

This category gives information about the current error status. It shows error counters for different error types, such as packet errors, missing connection, undefined data or overtriggering. Additionally, it reports warning type errors, like the number of both corrected and uncorrected packets.

## 18.1. FG\_SYSTEMMONITOR\_DECODER\_8B\_10B\_ERROR

Link stability counter. It is incremented when the number of measured symbols received by the channel transceiver are not in 8b10b encoding or/and have wrong disparity. Range: 0 to  $(2^{48} - 1)$  (48 bit).

Table 18.1. Parameter properties of FG\_SYSTEMMONITOR\_DECODER\_8B\_10B\_ERROR

Property	Value
Name	FG_SYSTEMMONITOR_DECODER_8B_10B_ERROR
Display Name	Systemmonitor Decoder 8b10b Error
Type	Unsigned Integer Field (64 Bit)
Field Size	5
Access policy	Read-Only
Storage policy	Transient

Example 18.1. Usage of FG\_SYSTEMMONITOR\_DECODER\_8B\_10B\_ERROR

```
int result = 0;

FieldParameterAccess access;
const enum FgParamTypes type = FG_PARAM_TYPE_STRUCT_FIELDPARAMACCESS;

if ((result = Fg_getParameterWithType(fg, FG_SYSTEMMONITOR_DECODER_8B_10B_ERROR, &access, 0, type)) < 0) {
    /* error handling */
}
}
```

## 18.2. FG\_SYSTEMMONITOR\_BYTE\_ALIGNMENT\_8B\_10B\_LOCKED

Monitors whether the clock recovery has worked and valid 8b/10b signals are recognized.

Table 18.2. Parameter properties of FG\_SYSTEMMONITOR\_BYTE\_ALIGNMENT\_8B\_10B\_LOCKED

Property	Value
Name	FG_SYSTEMMONITOR_BYTE_ALIGNMENT_8B_10B_LOCKED
Display Name	Systemmonitor Byte Alignment 8B 10 B Locked
Type	Unsigned Integer Field
Field Size	5
Access policy	Read-Only
Storage policy	Transient

Example 18.2. Usage of FG\_SYSTEMMONITOR\_BYTE\_ALIGNMENT\_8B\_10B\_LOCKED

```
int result = 0;

FieldParameterInt access;
const enum FgParamTypes type = FG_PARAM_TYPE_STRUCT_FIELDPARAMINT;
```

```

    if ((result = Fg_getParameterWithType(fg, FG_SYSTEMMONITOR_BYTE_ALIGNMENT_8B_10B_LOCKED, &access, 0, type)) < 0) {
        /* error handling */
    }
}

```

### 18.3. FG\_SYSTEMMONITOR\_RX\_STREAM\_INCOMPLETE\_COUNT

Returns the number of received incomplete stream counts. Range: between 0 and 8191 in steps of 1.

Table 18.3. Parameter properties of FG\_SYSTEMMONITOR\_RX\_STREAM\_INCOMPLETE\_COUNT

Property	Value
Name	<b>FG_SYSTEMMONITOR_RX_STREAM_INCOMPLETE_COUNT</b>
Display Name	<b>Systemmonitor Rx Stream Incomplete Count</b>
Type	<b>Unsigned Integer Field</b>
Field Size	<b>5</b>
Access policy	<b>Read-Only</b>
Storage policy	<b>Transient</b>

Example 18.3. Usage of FG\_SYSTEMMONITOR\_RX\_STREAM\_INCOMPLETE\_COUNT

```

int result = 0;

FieldParameterInt access;
const enum FgParamTypes type = FG_PARAM_TYPE_STRUCT_FIELDPARAMINT;

    if ((result = Fg_getParameterWithType(fg, FG_SYSTEMMONITOR_RX_STREAM_INCOMPLETE_COUNT, &access, 0, type)) < 0) {
        /* error handling */
    }
}

```

### 18.4. FG\_SYSTEMMONITOR\_RX\_UNKNOWN\_DATA\_RECEIVED\_COUNT

Returns the number of received unknown data, i.e. packets received that aren't defined in the CXP standard. Range: between 0 and 8191 in steps of 1.

Table 18.4. Parameter properties of FG\_SYSTEMMONITOR\_RX\_UNKNOWN\_DATA\_RECEIVED\_COUNT

Property	Value
Name	<b>FG_SYSTEMMONITOR_RX_UNKNOWN_DATA_RECEIVED_COUNT</b>
Display Name	<b>Systemmonitor Rx Unknown Data Received Count</b>
Type	<b>Unsigned Integer Field</b>
Field Size	<b>5</b>
Access policy	<b>Read-Only</b>
Storage policy	<b>Transient</b>

Example 18.4. Usage of FG\_SYSTEMMONITOR\_RX\_UNKNOWN\_DATA\_RECEIVED\_COUNT

```

int result = 0;

FieldParameterInt access;
const enum FgParamTypes type = FG_PARAM_TYPE_STRUCT_FIELDPARAMINT;

    if ((result = Fg_getParameterWithType(fg, FG_SYSTEMMONITOR_RX_UNKNOWN_DATA_RECEIVED_COUNT, &access, 0, type)) < 0) {
        /* error handling */
    }
}

```

}

## 18.5. FG\_CXP\_OVERTRIGGER\_REQUEST\_PULSECOUNT

This parameter counts the trigger requests that were skipped, because the transmitter was still busy by sending the previous trigger packet. See CXP 2.0 standard, chapter 9.3.2. Bits [11:0] count the amount of violations. Bit [12] is set when a counter overflow occurs. Range: 0 to 4095 (12 bit). Bit 12 indicates an overflow.

Table 18.5. Parameter properties of FG\_CXP\_OVERTRIGGER\_REQUEST\_PULSECOUNT

Property	Value
Name	<b>FG_CXP_OVERTRIGGER_REQUEST_PULSECOUNT</b>
Display Name	<b>CXP Overtrigger Request Pulse Count</b>
Type	<b>Unsigned Integer Field</b>
Field Size	<b>5</b>
Access policy	<b>Read-Only</b>
Storage policy	<b>Transient</b>

Example 18.5. Usage of FG\_CXP\_OVERTRIGGER\_REQUEST\_PULSECOUNT

```
int result = 0;

FieldParameterInt access;
const enum FgParamTypes type = FG_PARAM_TYPE_STRUCT_FIELDPARAMINT;

if ((result = Fg_getParameterWithType(fg, FG_CXP_OVERTRIGGER_REQUEST_PULSECOUNT, &access, 0, type)) < 0) {
    /* error handling */
}
}
```

## 18.6. FG\_CXP\_TRIGGER\_ACK\_MISSING\_COUNT

This parameter counts the situations in which a trigger packet was sent, but no acknowledgment packet was received for it yet, which then led to a timeout (480ns for 1-6Gb/s, 240ns for 10-12.5Gb/s). See CXP 2.0 standard, chapter 9.3.2. Bits [11:0] count the amount of violations. Bit [12] is set when a counter overflow occurs. Range: 0 to 8191 (13 bit).

Table 18.6. Parameter properties of FG\_CXP\_TRIGGER\_ACK\_MISSING\_COUNT

Property	Value
Name	<b>FG_CXP_TRIGGER_ACK_MISSING_COUNT</b>
Display Name	<b>CXP Lost Trigger ACK Missing Count</b>
Type	<b>Unsigned Integer Field</b>
Field Size	<b>5</b>
Access policy	<b>Read-Only</b>
Storage policy	<b>Transient</b>

Example 18.6. Usage of FG\_CXP\_TRIGGER\_ACK\_MISSING\_COUNT

```
int result = 0;

FieldParameterInt access;
const enum FgParamTypes type = FG_PARAM_TYPE_STRUCT_FIELDPARAMINT;

if ((result = Fg_getParameterWithType(fg, FG_CXP_TRIGGER_ACK_MISSING_COUNT, &access, 0, type)) < 0) {
```

```

    } /* error handling */
}

```

## 18.7. FG\_CXP\_CONTROL\_ACK\_LOST\_COUNT

This parameter counts situations in which a control packet was sent but no acknowledgment packet was received for it yet and the timeout of 200 ms is reached. See CXP 2.0 standard, chapter 9.6.1.1. Bits [11:0] count the amount of violations. Bit [12] is set when a counter overflow occurs. Range 0 to 8191 (13 bit).

Table 18.7. Parameter properties of FG\_CXP\_CONTROL\_ACK\_LOST\_COUNT

Property	Value
Name	FG_CXP_CONTROL_ACK_LOST_COUNT
Display Name	CXP Control ACK Lost Count
Type	Unsigned Integer Field
Field Size	5
Access policy	Read-Only
Storage policy	Transient

Example 18.7. Usage of FG\_CXP\_CONTROL\_ACK\_LOST\_COUNT

```

int result = 0;

FieldParameterInt access;
const enum FgParamTypes type = FG_PARAM_TYPE_STRUCT_FIELDPARAMINT;

if ((result = Fg_getParameterWithType(fg, FG_CXP_CONTROL_ACK_LOST_COUNT, &access, 0, type)) < 0) {
    /* error handling */
}

```

## 18.8. FG\_CXP\_CONTROL\_TAG\_ERROR\_COUNT

This parameter counts situations in which an acknowledgment for a control packet was received with a tag that doesn't match the expected tag sent in the corresponding request control packet. See CXP 2.0 standard, chapter 9.6.1.2. Bits [11:0] count the amount of violations. Bit [12] is set when a counter overflow occurs. Range 0 to 8191 (13 bit).

Table 18.8. Parameter properties of FG\_CXP\_CONTROL\_TAG\_ERROR\_COUNT

Property	Value
Name	FG_CXP_CONTROL_TAG_ERROR_COUNT
Display Name	CXP Control Tag Error Count
Type	Unsigned Integer Field
Field Size	5
Access policy	Read-Only
Storage policy	Transient

Example 18.8. Usage of FG\_CXP\_CONTROL\_TAG\_ERROR\_COUNT

```

int result = 0;

FieldParameterInt access;
const enum FgParamTypes type = FG_PARAM_TYPE_STRUCT_FIELDPARAMINT;

```

```

    if ((result = Fg_getParameterWithType(fg, FG_CXP_CONTROL_TAG_ERROR_COUNT, &access, 0, type)) < 0) {
        /* error handling */
    }
}

```

## 18.9. FG\_CXP\_CONTROL\_ACK\_INCOMPLETE\_COUNT

This parameter counts situations in which an incorrectly formatted acknowledgment for a control packet was received. Incorrectly formatted means that e.g. the end of packet indicator is missing etc. Bits [11:0] count the amount of violations. Bit [12] is set when a counter overflow occurs. Range 0 to 8191 (13 bit).

Table 18.9. Parameter properties of FG\_CXP\_CONTROL\_ACK\_INCOMPLETE\_COUNT

Property	Value
Name	FG_CXP_CONTROL_ACK_INCOMPLETE_COUNT
Display Name	CXP Control ACK Incomplete Count
Type	Unsigned Integer Field
Field Size	5
Access policy	Read-Only
Storage policy	Transient

Example 18.9. Usage of FG\_CXP\_CONTROL\_ACK\_INCOMPLETE\_COUNT

```

int result = 0;

FieldParameterInt access;
const enum FgParamTypes type = FG_PARAM_TYPE_STRUCT_FIELDPARAMINT;

    if ((result = Fg_getParameterWithType(fg, FG_CXP_CONTROL_ACK_INCOMPLETE_COUNT, &access, 0, type)) < 0) {
        /* error handling */
    }
}

```

## 18.10. FG\_CXP\_HEARTBEAT\_INCOMPLETE\_COUNT

This parameter counts situations in which the received heart beat packet is incomplete, e.g. it misses the end of the packet indicator. Bits [11:0] count the amount of violations. Bit [12] is set when a counter overflow occurs. Range 0 to 8191 (13 bit).

Table 18.10. Parameter properties of FG\_CXP\_HEARTBEAT\_INCOMPLETE\_COUNT

Property	Value
Name	FG_CXP_HEARTBEAT_INCOMPLETE_COUNT
Display Name	CXP Heartbeat Incomplete Count
Type	Unsigned Integer Field
Field Size	5
Access policy	Read-Only
Storage policy	Transient

Example 18.10. Usage of FG\_CXP\_HEARTBEAT\_INCOMPLETE\_COUNT

```

int result = 0;

FieldParameterInt access;
const enum FgParamTypes type = FG_PARAM_TYPE_STRUCT_FIELDPARAMINT;

```



```

    if ((result = Fg_getParameterWithType(fg, FG_CXP_HEARTBEAT_INCOMPLETE_COUNT, &access, 0, type)) < 0) {
        /* error handling */
    }
}

```

## 18.11. FG\_CXP\_HEARTBEAT\_MAX\_PERIOD\_VIOLATION\_COUNT

The heartbeat period is defined in CXP 2.0 standard as 100ms maximum, i.e. within that time at least 1 heartbeat packet must be sent by the camera. This parameter counts the situations in which heartbeat packets exceeded this timeout (100ms). Bits [11:0] count the amount of violations. Bit [12] is set when a counter overflow occurs. Range 0 to 8191 (13 bit).

Table 18.11. Parameter properties of FG\_CXP\_HEARTBEAT\_MAX\_PERIOD\_VIOLATION\_COUNT

Property	Value
Name	FG_CXP_HEARTBEAT_MAX_PERIOD_VIOLATION_COUNT
Display Name	CXP Hearbeat Max Period Violation Count
Type	Unsigned Integer Field
Field Size	5
Access policy	Read-Only
Storage policy	Transient

Example 18.11. Usage of FG\_CXP\_HEARTBEAT\_MAX\_PERIOD\_VIOLATION\_COUNT

```

int result = 0;

FieldParameterInt access;
const enum FgParamTypes type = FG_PARAM_TYPE_STRUCT_FIELDPARAMINT;

    if ((result = Fg_getParameterWithType(fg, FG_CXP_HEARTBEAT_MAX_PERIOD_VIOLATION_COUNT, &access, 0, type)) < 0) {
        /* error handling */
    }
}

```

## 18.12. FG\_PACKET\_TAG\_ERROR\_COUNT

The parameter counts the number of lost CXP stream packets.

Table 18.12. Parameter properties of FG\_PACKET\_TAG\_ERROR\_COUNT

Property	Value
Name	FG_PACKET_TAG_ERROR_COUNT
Display Name	Packet Tag Error Count
Type	Unsigned Integer
Access policy	Read-Only
Storage policy	Persistent
Allowed values	<b>Minimum</b> 0 <b>Maximum</b> 4095 <b>Stepsize</b> 1

Example 18.12. Usage of FG\_PACKET\_TAG\_ERROR\_COUNT

```

int result = 0;
unsigned int value = 0;

```

```

const enum FgParamTypes type = FG_PARAM_TYPE_UINT32_T;

if ((result = Fg_getParameterWithType(fg, FG_PACKET_TAG_ERROR_COUNT, &value, 0, type)) < 0) {
    /* error handling */
}

```

## 18.13. FG\_SYSTEMMONITOR\_PACKETBUFFER\_OVERFLOW\_COUNT

This parameter counts the number of overflows that occur due to not correctly aligned package orders.

Table 18.13. Parameter properties of FG\_SYSTEMMONITOR\_PACKETBUFFER\_OVERFLOW\_COUNT

Property	Value
Name	FG_SYSTEMMONITOR_PACKETBUFFER_OVERFLOW_COUNT
Display Name	Systemmonitor Packetbuffer Overflow Count
Type	Unsigned Integer
Access policy	Read-Only
Storage policy	Persistent
Allowed values	<b>Minimum</b> 0 <b>Maximum</b> 4095 <b>Stepsize</b> 1

Example 18.13. Usage of FG\_SYSTEMMONITOR\_PACKETBUFFER\_OVERFLOW\_COUNT

```

int result = 0;
unsigned int value = 0;
const enum FgParamTypes type = FG_PARAM_TYPE_UINT32_T;

if ((result = Fg_getParameterWithType(fg, FG_SYSTEMMONITOR_PACKETBUFFER_OVERFLOW_COUNT, &value, 0, type)) < 0) {
    /* error handling */
}

```

## 18.14. FG\_SYSTEMMONITOR\_PACKETBUFFER\_OVERFLOW\_SOURCE

This parameter returns the port that has overflows due to not correctly aligned package order.

Table 18.14. Parameter properties of FG\_SYSTEMMONITOR\_PACKETBUFFER\_OVERFLOW\_SOURCE

Property	Value
Name	FG_SYSTEMMONITOR_PACKETBUFFER_OVERFLOW_SOURCE
Display Name	Systemmonitor Packetbuffer Overflow Source
Type	Unsigned Integer
Access policy	Read-Only
Storage policy	Persistent
Allowed values	<b>Minimum</b> 0 <b>Maximum</b> 15 <b>Stepsize</b> 1

Example 18.14. Usage of FG\_SYSTEMMONITOR\_PACKETBUFFER\_OVERFLOW\_SOURCE

```

int result = 0;
unsigned int value = 0;
const enum FgParamTypes type = FG_PARAM_TYPE_UINT32_T;

if ((result = Fg_getParameterWithType(fg, FG_SYSTEMMONITOR_PACKETBUFFER_OVERFLOW_SOURCE, &value, 0, type)) < 0) {
    /* error handling */
}

```

}

## 18.15. FG\_CXP\_IMAGETAG\_ERROR\_COUNT

This parameter returns the number of image tag errors (jumps) in the CXP headers.

Table 18.15. Parameter properties of FG\_CXP\_IMAGETAG\_ERROR\_COUNT

Property	Value
Name	<b>FG_CXP_IMAGETAG_ERROR_COUNT</b>
Display Name	<b>CXP Image Tag Error Count</b>
Type	<b>Unsigned Integer</b>
Access policy	<b>Read-Only</b>
Storage policy	<b>Persistent</b>
Allowed values	<b>Minimum 0</b> <b>Maximum 8191</b> <b>Stepsize 1</b>

Example 18.15. Usage of FG\_CXP\_IMAGETAG\_ERROR\_COUNT

```
int result = 0;
unsigned int value = 0;
const enum FgParamTypes type = FG_PARAM_TYPE_UINT32_T;

if ((result = Fg_getParameterWithType(fg, FG_CXP_IMAGETAG_ERROR_COUNT, &value, 0, type)) < 0) {
    /* error handling */
}
```

## 18.16. FG\_CXP\_STREAMID\_ERROR\_COUNT

The parameter counts how often the received stream ID value in the stream packets mismatches the stream ID value specified in the image header. The parameter is 13 bit wide, where the bits [11:0] represent the actual counter value and the bit [12] stands for the counter overflow. When the overflow bit is set, the counter value shall be treated as don't care. Range: 0 to 8191 (13 bit).

Table 18.16. Parameter properties of FG\_CXP\_STREAMID\_ERROR\_COUNT

Property	Value
Name	<b>FG_CXP_STREAMID_ERROR_COUNT</b>
Display Name	<b>CXP Stream ID Error Count</b>
Type	<b>Unsigned Integer</b>
Access policy	<b>Read-Only</b>
Storage policy	<b>Persistent</b>
Allowed values	<b>Minimum 0</b> <b>Maximum 8191</b> <b>Stepsize 1</b>

Example 18.16. Usage of FG\_CXP\_STREAMID\_ERROR\_COUNT

```
int result = 0;
unsigned int value = 0;
const enum FgParamTypes type = FG_PARAM_TYPE_UINT32_T;

if ((result = Fg_getParameterWithType(fg, FG_CXP_STREAMID_ERROR_COUNT, &value, 0, type)) < 0) {
    /* error handling */
}
```

}

## 18.17. FG\_CXP\_CAMERA\_MARKER\_ERROR\_COUNT

This parameter counts how often the sequence of the CXP stream marker and the header or the line markers were incorrect. The parameter is 13 bit wide, where the bits [11:0] represent the actual counter value and the bit [12] stands for the counter overflow. When the overflow bit is set, the counter value shall be treated as don't care. Range: 0 to 8192 (13 bit).

Table 18.17. Parameter properties of FG\_CXP\_CAMERA\_MARKER\_ERROR\_COUNT

Property	Value
Name	FG_CXP_CAMERA_MARKER_ERROR_COUNT
Display Name	CXP Camera Marker Error Count
Type	Unsigned Integer
Access policy	Read-Only
Storage policy	Persistent
Allowed values	<b>Minimum</b> 0 <b>Maximum</b> 8191 <b>Stepsize</b> 1

Example 18.17. Usage of FG\_CXP\_CAMERA\_MARKER\_ERROR\_COUNT

```
int result = 0;
unsigned int value = 0;
const enum FgParamTypes type = FG_PARAM_TYPE_UINT32_T;

if ((result = Fg_getParameterWithType(fg, FG_CXP_CAMERA_MARKER_ERROR_COUNT, &value, 0, type)) < 0) {
    /* error handling */
}
```

## 18.18. FG\_CXP\_CAMERA\_UNEXPECTED\_STARTUP\_DATA

This parameter detects the error situation in which the first data value after the operator reset was unexpected, i.e. no image header has been received. This situation can happen due to a buggy implementation of the camera, frame grabber firmware or wrong software control of the discovery procedure. Also, a hardware defect of the camera could theoretically cause such a situation. Range: NO or YES.

Table 18.18. Parameter properties of FG\_CXP\_CAMERA\_UNEXPECTED\_STARTUP\_DATA

Property	Value
Name	FG_CXP_CAMERA_UNEXPECTED_STARTUP_DATA
Display Name	CXP Camera Unexpected Startup Data Status
Type	Enumeration
Access policy	Read-Only
Storage policy	Transient
Allowed values	<b>FG_YES</b> Yes <b>FG_NO</b> No

Example 18.18. Usage of FG\_CXP\_CAMERA\_UNEXPECTED\_STARTUP\_DATA

```
int result = 0;
int value = FG_NO;
const enum FgParamTypes type = FG_PARAM_TYPE_INT32_T;

if ((result = Fg_getParameterWithType(fg, FG_CXP_CAMERA_UNEXPECTED_STARTUP_DATA, &value, 0, type)) < 0) {
```

```

    /* error handling */
}

```

## 18.19. FG\_CXP\_CAMERA\_FRAME\_LOST\_COUNT

This parameter counts the frames that were lost during acquisition and aren't sent into the applet image pipeline. Frames are lost when an error in the image header is detected or when a frame overlaps with another frame. The parameter is 25 bit wide where the bits [23:0] represent the actual counter value and bit [24] stands for the counter overflow. When the overflow bit is set, the counter value shall be treated as don't care. Range 0 to 33554431 (25 bit).

Table 18.19. Parameter properties of FG\_CXP\_CAMERA\_FRAME\_LOST\_COUNT

Property	Value
Name	FG_CXP_CAMERA_FRAME_LOST_COUNT
Display Name	CXP Camera Frame Lost Count
Type	Unsigned Integer
Access policy	Read-Only
Storage policy	Persistent
Allowed values	Minimum 0 Maximum 33554431 Stepsize 1

Example 18.19. Usage of FG\_CXP\_CAMERA\_FRAME\_LOST\_COUNT

```

int result = 0;
unsigned int value = 0;
const enum FgParamTypes type = FG_PARAM_TYPE_UINT32_T;

if ((result = Fg_getParameterWithType(fg, FG_CXP_CAMERA_FRAME_LOST_COUNT, &value, 0, type)) < 0) {
    /* error handling */
}

```

## 18.20. FG\_CXP\_CAMERA\_FRAME\_CORRUPT\_COUNT

This parameter counts the corrupted frames during acquisition. Corrupted frames are frames with error pixels which are sent to the applet image pipeline. The parameter is 25 bit wide where the bits [23:0] represent the actual counter value and bit [24] stands for the counter overflow. When the overflow bit is set, the counter value shall be treated as don't care. Range 0 to 33554431 (25 bit).

Table 18.20. Parameter properties of FG\_CXP\_CAMERA\_FRAME\_CORRUPT\_COUNT

Property	Value
Name	FG_CXP_CAMERA_FRAME_CORRUPT_COUNT
Display Name	CXP Camera Frame Corrupt Count
Type	Unsigned Integer
Access policy	Read-Only
Storage policy	Persistent
Allowed values	Minimum 0 Maximum 33554431 Stepsize 1

Example 18.20. Usage of FG\_CXP\_CAMERA\_FRAME\_CORRUPT\_COUNT

```

int result = 0;

```

```

unsigned int value = 0;
const enum FgParamTypes type = FG_PARAM_TYPE_UINT32_T;

if ((result = Fg_getParameterWithType(fg, FG_CXP_CAMERA_FRAME_CORRUPT_COUNT, &value, 0, type)) < 0) {
    /* error handling */
}

```

## 18.21. CRC

This category gives information about packet CRC errors detected for stream packets and control packets.

### 18.21.1. FG\_SYSTEMMONITOR\_RX\_PACKET\_CRC\_ERROR\_COUNT

Returns the number of received packet CRC errors. Range: between 0 and 8191 in steps of 1.

Table 18.21. Parameter properties of FG\_SYSTEMMONITOR\_RX\_PACKET\_CRC\_ERROR\_COUNT

Property	Value
Name	<b>FG_SYSTEMMONITOR_RX_PACKET_CRC_ERROR_COUNT</b>
Display Name	<b>Systemmonitor Rx Packet CRC Error Count</b>
Type	<b>Unsigned Integer Field</b>
Field Size	<b>5</b>
Access policy	<b>Read-Only</b>
Storage policy	<b>Transient</b>

Example 18.21. Usage of FG\_SYSTEMMONITOR\_RX\_PACKET\_CRC\_ERROR\_COUNT

```

int result = 0;

FieldParameterInt access;
const enum FgParamTypes type = FG_PARAM_TYPE_STRUCT_FIELDPARAMINT;

    if ((result = Fg_getParameterWithType(fg, FG_SYSTEMMONITOR_RX_PACKET_CRC_ERROR_COUNT, &access, 0, type)) < 0) {
        /* error handling */
    }
}

```

### 18.21.2. FG\_CXP\_STREAMPACKET\_CRC\_ERROR

This parameter returns information whether there were CRC errors in received stream packets. Range 0 (NO) to 1 (YES).

Table 18.22. Parameter properties of FG\_CXP\_STREAMPACKET\_CRC\_ERROR

Property	Value
Name	<b>FG_CXP_STREAMPACKET_CRC_ERROR</b>
Display Name	<b>CXP Stream Packet CRC Error</b>
Type	<b>Unsigned Integer Field</b>
Field Size	<b>5</b>
Access policy	<b>Read-Only</b>
Storage policy	<b>Transient</b>

Example 18.22. Usage of FG\_CXP\_STREAMPACKET\_CRC\_ERROR

```

int result = 0;

FieldParameterInt access;

```

```

const enum FgParamTypes type = FG_PARAM_TYPE_STRUCT_FIELDPARAMINT;

    if ((result = Fg_getParameterWithType(fg, FG_CXP_STREAMPACKET_CRC_ERROR, &access, 0, type)) < 0) {
        /* error handling */
    }
}

```

### 18.21.3. FG\_CXP\_CONTROL\_ACK\_PACKET\_CRC\_ERROR

This parameter returns information whether there were CRC errors in received control acknowledgement packets. Range 0 (NO) to 1 (YES).

Table 18.23. Parameter properties of FG\_CXP\_CONTROL\_ACK\_PACKET\_CRC\_ERROR

Property	Value
Name	FG_CXP_CONTROL_ACK_PACKET_CRC_ERROR
Display Name	CXP Control ACK Packet CRC Error
Type	Unsigned Integer Field
Field Size	5
Access policy	Read-Only
Storage policy	Transient

Example 18.23. Usage of FG\_CXP\_CONTROL\_ACK\_PACKET\_CRC\_ERROR

```

int result = 0;

FieldParameterInt access;
const enum FgParamTypes type = FG_PARAM_TYPE_STRUCT_FIELDPARAMINT;

    if ((result = Fg_getParameterWithType(fg, FG_CXP_CONTROL_ACK_PACKET_CRC_ERROR, &access, 0, type)) < 0) {
        /* error handling */
    }
}

```

## 18.22. LengthErrors

This category gives information about packet length mismatches for different types of packets.

### 18.22.1. FG\_SYSTEMMONITOR\_RX\_LENGTH\_ERROR\_COUNT

This parameter counts how often the length of a CXP packet doesn't correspond to what is specified in the header and returns the number of length errors. Range: between 0 and 8191 in steps of 1.

Table 18.24. Parameter properties of FG\_SYSTEMMONITOR\_RX\_LENGTH\_ERROR\_COUNT

Property	Value
Name	FG_SYSTEMMONITOR_RX_LENGTH_ERROR_COUNT
Display Name	Systemmonitor Rx Length Error Count
Type	Unsigned Integer Field
Field Size	5
Access policy	Read-Only
Storage policy	Transient

Example 18.24. Usage of FG\_SYSTEMMONITOR\_RX\_LENGTH\_ERROR\_COUNT

```

int result = 0;

```

```

FieldParameterInt access;
const enum FgParamTypes type = FG_PARAM_TYPE_STRUCT_FIELDPARAMINT;

    if ((result = Fg_getParameterWithType(fg, FG_SYSTEMMONITOR_RX_LENGTH_ERROR_COUNT, &access, 0, type)) < 0) {
        /* error handling */
    }
}

```

## 18.22.2. FG\_CXP\_STREAMPACKET\_LENGTH\_ERROR

This parameter returns information whether a length error in the stream packets was detected. Range: 0 (NO) to 1 (YES).

Table 18.25. Parameter properties of FG\_CXP\_STREAMPACKET\_LENGTH\_ERROR

Property	Value
Name	FG_CXP_STREAMPACKET_LENGTH_ERROR
Display Name	CXP Stream Packet Length Error
Type	Unsigned Integer Field
Field Size	5
Access policy	Read-Only
Storage policy	Transient

Example 18.25. Usage of FG\_CXP\_STREAMPACKET\_LENGTH\_ERROR

```

int result = 0;

FieldParameterInt access;
const enum FgParamTypes type = FG_PARAM_TYPE_STRUCT_FIELDPARAMINT;

    if ((result = Fg_getParameterWithType(fg, FG_CXP_STREAMPACKET_LENGTH_ERROR, &access, 0, type)) < 0) {
        /* error handling */
    }
}

```

## 18.23. ReceivedPacketsCorrected

This category gives information about errors which occurred in received packets which have been corrected.

### 18.23.1. FG\_CXP\_ERROR\_CORRECTED

This parameter counts errors received in packet headers and trailers that were corrected. Bits [11:0] count the amount of violations. Bit [12] is set when a counter overflow occurs. Range 0 to 8191 (13 bit).

Table 18.26. Parameter properties of FG\_CXP\_ERROR\_CORRECTED

Property	Value
Name	FG_CXP_ERROR_CORRECTED
Display Name	CXP Error Corrected
Type	Unsigned Integer Field
Field Size	5
Access policy	Read-Only
Storage policy	Transient



**Example 18.26. Usage of FG\_CXP\_ERROR\_CORRECTED**

```

int result = 0;

FieldParameterInt access;
const enum FgParamTypes type = FG_PARAM_TYPE_STRUCT_FIELDPARAMINT;

    if ((result = Fg_getParameterWithType(fg, FG_CXP_ERROR_CORRECTED, &access, 0, type)) < 0) {
        /* error handling */
    }
}

```

**18.23.2. FG\_CXP\_ERROR\_CORRECTED\_TRIGGER**

This parameter returns the information whether errors were corrected in received trigger packets. Range 0 (NO) to 1 (YES).

Table 18.27. Parameter properties of FG\_CXP\_ERROR\_CORRECTED\_TRIGGER

Property	Value
Name	<b>FG_CXP_ERROR_CORRECTED_TRIGGER</b>
Display Name	<b>CXP Error Corrected Trigger</b>
Type	<b>Unsigned Integer Field</b>
Field Size	<b>5</b>
Access policy	<b>Read-Only</b>
Storage policy	<b>Transient</b>

**Example 18.27. Usage of FG\_CXP\_ERROR\_CORRECTED\_TRIGGER**

```

int result = 0;

FieldParameterInt access;
const enum FgParamTypes type = FG_PARAM_TYPE_STRUCT_FIELDPARAMINT;

    if ((result = Fg_getParameterWithType(fg, FG_CXP_ERROR_CORRECTED_TRIGGER, &access, 0, type)) < 0) {
        /* error handling */
    }
}

```

**18.23.3. FG\_CXP\_ERROR\_CORRECTED\_TRIGGER\_ACK**

This parameter returns the information whether errors were corrected in received trigger acknowledge packets. Range 0 (NO) to 1 (YES).

Table 18.28. Parameter properties of FG\_CXP\_ERROR\_CORRECTED\_TRIGGER\_ACK

Property	Value
Name	<b>FG_CXP_ERROR_CORRECTED_TRIGGER_ACK</b>
Display Name	<b>CXP Error Corrected Trigger ACK</b>
Type	<b>Unsigned Integer Field</b>
Field Size	<b>5</b>
Access policy	<b>Read-Only</b>
Storage policy	<b>Transient</b>

**Example 18.28. Usage of FG\_CXP\_ERROR\_CORRECTED\_TRIGGER\_ACK**

```

int result = 0;

```

```

FieldParameterInt access;
const enum FgParamTypes type = FG_PARAM_TYPE_STRUCT_FIELDPARAMINT;

    if ((result = Fg_getParameterWithType(fg, FG_CXP_ERROR_CORRECTED_TRIGGER_ACK, &access, 0, type)) < 0) {
        /* error handling */
    }
}

```

### 18.23.4. FG\_CXP\_ERROR\_CORRECTED\_STREAM

This parameter returns the information whether errors were corrected in received stream packets. Range 0 (NO) to 1 (YES).

Table 18.29. Parameter properties of FG\_CXP\_ERROR\_CORRECTED\_STREAM

Property	Value
Name	<b>FG_CXP_ERROR_CORRECTED_STREAM</b>
Display Name	<b>CXP Error Corrected Stream</b>
Type	<b>Unsigned Integer Field</b>
Field Size	<b>5</b>
Access policy	<b>Read-Only</b>
Storage policy	<b>Transient</b>

Example 18.29. Usage of FG\_CXP\_ERROR\_CORRECTED\_STREAM

```

int result = 0;

FieldParameterInt access;
const enum FgParamTypes type = FG_PARAM_TYPE_STRUCT_FIELDPARAMINT;

    if ((result = Fg_getParameterWithType(fg, FG_CXP_ERROR_CORRECTED_STREAM, &access, 0, type)) < 0) {
        /* error handling */
    }
}

```

### 18.23.5. FG\_CXP\_ERROR\_CORRECTED\_CONTROL\_ACK

This parameter returns the information whether errors were corrected in received stream acknowledge packets. Range 0 (NO) to 1 (YES).

Table 18.30. Parameter properties of FG\_CXP\_ERROR\_CORRECTED\_CONTROL\_ACK

Property	Value
Name	<b>FG_CXP_ERROR_CORRECTED_CONTROL_ACK</b>
Display Name	<b>CXP Error Corrected Control ACK</b>
Type	<b>Unsigned Integer Field</b>
Field Size	<b>5</b>
Access policy	<b>Read-Only</b>
Storage policy	<b>Transient</b>

Example 18.30. Usage of FG\_CXP\_ERROR\_CORRECTED\_CONTROL\_ACK

```

int result = 0;

FieldParameterInt access;
const enum FgParamTypes type = FG_PARAM_TYPE_STRUCT_FIELDPARAMINT;

```

```

    if ((result = Fg_getParameterWithType(fg, FG_CXP_ERROR_CORRECTED_CONTROL_ACK, &access, 0, type)) < 0) {
        /* error handling */
    }
}

```

### 18.23.6. FG\_CXP\_ERROR\_CORRECTED\_LINKTEST

This parameter returns the information whether errors were corrected in received link test packets. Range 0 (NO) to 1 (YES).

Table 18.31. Parameter properties of FG\_CXP\_ERROR\_CORRECTED\_LINKTEST

Property	Value
Name	<b>FG_CXP_ERROR_CORRECTED_LINKTEST</b>
Display Name	<b>CXP Error Corrected Link Test</b>
Type	<b>Unsigned Integer Field</b>
Field Size	<b>5</b>
Access policy	<b>Read-Only</b>
Storage policy	<b>Transient</b>

Example 18.31. Usage of FG\_CXP\_ERROR\_CORRECTED\_LINKTEST

```

int result = 0;

FieldParameterInt access;
const enum FgParamTypes type = FG_PARAM_TYPE_STRUCT_FIELDPARAMINT;

    if ((result = Fg_getParameterWithType(fg, FG_CXP_ERROR_CORRECTED_LINKTEST, &access, 0, type)) < 0) {
        /* error handling */
    }
}

```

### 18.23.7. FG\_CXP\_ERROR\_CORRECTED\_HEARTBEAT

This parameter returns the information whether errors were corrected in received heartbeat packets. Range 0 (NO) to 1 (YES).

Table 18.32. Parameter properties of FG\_CXP\_ERROR\_CORRECTED\_HEARTBEAT

Property	Value
Name	<b>FG_CXP_ERROR_CORRECTED_HEARTBEAT</b>
Display Name	<b>CXP Error Corrected Heartbeat</b>
Type	<b>Unsigned Integer Field</b>
Field Size	<b>5</b>
Access policy	<b>Read-Only</b>
Storage policy	<b>Transient</b>

Example 18.32. Usage of FG\_CXP\_ERROR\_CORRECTED\_HEARTBEAT

```

int result = 0;

FieldParameterInt access;
const enum FgParamTypes type = FG_PARAM_TYPE_STRUCT_FIELDPARAMINT;

    if ((result = Fg_getParameterWithType(fg, FG_CXP_ERROR_CORRECTED_HEARTBEAT, &access, 0, type)) < 0) {
        /* error handling */
    }
}

```

```
}
}
```

### 18.23.8. FG\_CORRECTED\_ERROR\_COUNT

The parameter counts the number of single-byte error corrections in CXP stream packets.

Table 18.33. Parameter properties of FG\_CORRECTED\_ERROR\_COUNT

Property	Value
Name	<b>FG_CORRECTED_ERROR_COUNT</b>
Display Name	<b>Corrected Error Count</b>
Type	<b>Unsigned Integer</b>
Access policy	<b>Read-Only</b>
Storage policy	<b>Persistent</b>
Allowed values	<b>Minimum 0</b> <b>Maximum 4095</b> <b>Stepsize 1</b>

Example 18.33. Usage of FG\_CORRECTED\_ERROR\_COUNT

```
int result = 0;
unsigned int value = 0;
const enum FgParamTypes type = FG_PARAM_TYPE_UINT32_T;

if ((result = Fg_getParameterWithType(fg, FG_CORRECTED_ERROR_COUNT, &value, 0, type)) < 0) {
    /* error handling */
}
```

## 18.24. ReceivedPacketsUncorrected

This category gives information about errors which occurred in received packets and which could not be corrected.

### 18.24.1. FG\_CXP\_ERROR\_UNCORRECTED

This parameter counts errors received in packet headers and trailers that haven't been corrected. Bits [11:0] count the amount of violations. Bit [12] is set when a counter overflow occurs. Range 0 to 8191 (13 bit).

Table 18.34. Parameter properties of FG\_CXP\_ERROR\_UNCORRECTED

Property	Value
Name	<b>FG_CXP_ERROR_UNCORRECTED</b>
Display Name	<b>CXP Error Uncorrected</b>
Type	<b>Unsigned Integer Field</b>
Field Size	<b>5</b>
Access policy	<b>Read-Only</b>
Storage policy	<b>Transient</b>

Example 18.34. Usage of FG\_CXP\_ERROR\_UNCORRECTED

```
int result = 0;
```

```

FieldParameterInt access;
const enum FgParamTypes type = FG_PARAM_TYPE_STRUCT_FIELDPARAMINT;

    if ((result = Fg_getParameterWithType(fg, FG_CXP_ERROR_UNCORRECTED, &access, 0, type)) < 0) {
        /* error handling */
    }
}

```

### 18.24.2. FG\_CXP\_ERROR\_UNCORRECTED\_TRIGGER

This parameter returns the information whether there were errors in received trigger packets that haven't been corrected. Range 0 (NO) to 1 (YES).

Table 18.35. Parameter properties of FG\_CXP\_ERROR\_UNCORRECTED\_TRIGGER

Property	Value
Name	<b>FG_CXP_ERROR_UNCORRECTED_TRIGGER</b>
Display Name	<b>CXP Error Uncorrected Trigger</b>
Type	<b>Unsigned Integer Field</b>
Field Size	<b>5</b>
Access policy	<b>Read-Only</b>
Storage policy	<b>Transient</b>

Example 18.35. Usage of FG\_CXP\_ERROR\_UNCORRECTED\_TRIGGER

```

int result = 0;

FieldParameterInt access;
const enum FgParamTypes type = FG_PARAM_TYPE_STRUCT_FIELDPARAMINT;

    if ((result = Fg_getParameterWithType(fg, FG_CXP_ERROR_UNCORRECTED_TRIGGER, &access, 0, type)) < 0) {
        /* error handling */
    }
}

```

### 18.24.3. FG\_CXP\_ERROR\_UNCORRECTED\_TRIGGER\_ACK

This parameter returns the information whether there were errors in received trigger acknowledgement packets that haven't been corrected. Range 0 (NO) to 1 (YES).

Table 18.36. Parameter properties of FG\_CXP\_ERROR\_UNCORRECTED\_TRIGGER\_ACK

Property	Value
Name	<b>FG_CXP_ERROR_UNCORRECTED_TRIGGER_ACK</b>
Display Name	<b>CXP Error Uncorrected Trigger ACK</b>
Type	<b>Unsigned Integer Field</b>
Field Size	<b>5</b>
Access policy	<b>Read-Only</b>
Storage policy	<b>Transient</b>

Example 18.36. Usage of FG\_CXP\_ERROR\_UNCORRECTED\_TRIGGER\_ACK

```

int result = 0;

FieldParameterInt access;
const enum FgParamTypes type = FG_PARAM_TYPE_STRUCT_FIELDPARAMINT;

```

```

    if ((result = Fg_getParameterWithType(fg, FG_CXP_ERROR_UNCORRECTED_TRIGGER_ACK, &access, 0, type)) < 0) {
        /* error handling */
    }
}

```

#### 18.24.4. FG\_CXP\_ERROR\_UNCORRECTED\_STREAM

This parameter returns the information whether there were errors in received stream packets that haven't been corrected. Range 0 (NO) to 1 (YES).

Table 18.37. Parameter properties of FG\_CXP\_ERROR\_UNCORRECTED\_STREAM

Property	Value
Name	<b>FG_CXP_ERROR_UNCORRECTED_STREAM</b>
Display Name	<b>CXP Error Uncorrected Stream</b>
Type	<b>Unsigned Integer Field</b>
Field Size	<b>5</b>
Access policy	<b>Read-Only</b>
Storage policy	<b>Transient</b>

Example 18.37. Usage of FG\_CXP\_ERROR\_UNCORRECTED\_STREAM

```

int result = 0;

FieldParameterInt access;
const enum FgParamTypes type = FG_PARAM_TYPE_STRUCT_FIELDPARAMINT;

    if ((result = Fg_getParameterWithType(fg, FG_CXP_ERROR_UNCORRECTED_STREAM, &access, 0, type)) < 0) {
        /* error handling */
    }
}

```

#### 18.24.5. FG\_CXP\_ERROR\_UNCORRECTED\_CONTROL\_ACK

This parameter returns information whether there were errors in received control acknowledgement packets that haven't been corrected. Range 0 (NO) to 1 (YES).

Table 18.38. Parameter properties of FG\_CXP\_ERROR\_UNCORRECTED\_CONTROL\_ACK

Property	Value
Name	<b>FG_CXP_ERROR_UNCORRECTED_CONTROL_ACK</b>
Display Name	<b>CXP Error Uncorrected Control ACK</b>
Type	<b>Unsigned Integer Field</b>
Field Size	<b>5</b>
Access policy	<b>Read-Only</b>
Storage policy	<b>Transient</b>

Example 18.38. Usage of FG\_CXP\_ERROR\_UNCORRECTED\_CONTROL\_ACK

```

int result = 0;

FieldParameterInt access;
const enum FgParamTypes type = FG_PARAM_TYPE_STRUCT_FIELDPARAMINT;

    if ((result = Fg_getParameterWithType(fg, FG_CXP_ERROR_UNCORRECTED_CONTROL_ACK, &access, 0, type)) < 0) {
        /* error handling */
    }
}

```

```
}
}
```

### 18.24.6. FG\_CXP\_ERROR\_UNCORRECTED\_LINKTEST

This parameter returns information whether there were errors in received link test packets that haven't been corrected. Range 0 (NO) to 1 (YES).

Table 18.39. Parameter properties of FG\_CXP\_ERROR\_UNCORRECTED\_LINKTEST

Property	Value
Name	<b>FG_CXP_ERROR_UNCORRECTED_LINKTEST</b>
Display Name	<b>CXP Error Uncorrected Link Test</b>
Type	<b>Unsigned Integer Field</b>
Field Size	<b>5</b>
Access policy	<b>Read-Only</b>
Storage policy	<b>Transient</b>

Example 18.39. Usage of FG\_CXP\_ERROR\_UNCORRECTED\_LINKTEST

```
int result = 0;

FieldParameterInt access;
const enum FgParamTypes type = FG_PARAM_TYPE_STRUCT_FIELDPARAMINT;

if ((result = Fg_getParameterWithType(fg, FG_CXP_ERROR_UNCORRECTED_LINKTEST, &access, 0, type)) < 0) {
    /* error handling */
}
}
```

### 18.24.7. FG\_CXP\_ERROR\_UNCORRECTED\_HEARTBEAT

This parameter returns information whether there were errors in received heartbeat packets that haven't been corrected. Range 0 (NO) to 1 (YES).

Table 18.40. Parameter properties of FG\_CXP\_ERROR\_UNCORRECTED\_HEARTBEAT

Property	Value
Name	<b>FG_CXP_ERROR_UNCORRECTED_HEARTBEAT</b>
Display Name	<b>CXP Error Uncorrected Heartbeat</b>
Type	<b>Unsigned Integer Field</b>
Field Size	<b>5</b>
Access policy	<b>Read-Only</b>
Storage policy	<b>Transient</b>

Example 18.40. Usage of FG\_CXP\_ERROR\_UNCORRECTED\_HEARTBEAT

```
int result = 0;

FieldParameterInt access;
const enum FgParamTypes type = FG_PARAM_TYPE_STRUCT_FIELDPARAMINT;

if ((result = Fg_getParameterWithType(fg, FG_CXP_ERROR_UNCORRECTED_HEARTBEAT, &access, 0, type)) < 0) {
    /* error handling */
}
}
```

## 18.24.8. FG\_UNCORRECTED\_ERROR\_COUNT

This parameter counts the number of uncorrected errors. Bit[2] indicates multiple byte errors in CXP stream packets.

Table 18.41. Parameter properties of FG\_UNCORRECTED\_ERROR\_COUNT

Property	Value
Name	FG_UNCORRECTED_ERROR_COUNT
Display Name	Uncorrected Error Count
Type	Unsigned Integer
Access policy	Read-Only
Storage policy	Persistent
Allowed values	Minimum 0 Maximum 4095 Stepsize 1

Example 18.41. Usage of FG\_UNCORRECTED\_ERROR\_COUNT

```
int result = 0;
unsigned int value = 0;
const enum FgParamTypes type = FG_PARAM_TYPE_UINT32_T;

if ((result = Fg_getParameterWithType(fg, FG_UNCORRECTED_ERROR_COUNT, &value, 0, type)) < 0) {
    /* error handling */
}
```

## 18.25. UnsupportedPackets

This category gives information about unsupported packets that have been received.

### 18.25.1. FG\_SYSTEMMONITOR\_RX\_UNSUPPORTED\_PACKET\_COUNT

This parameter returns the number of received unsupported packets. Range: between 0 and 8191 in steps of 1.

Table 18.42. Parameter properties of FG\_SYSTEMMONITOR\_RX\_UNSUPPORTED\_PACKET\_COUNT

Property	Value
Name	FG_SYSTEMMONITOR_RX_UNSUPPORTED_PACKET_COUNT
Display Name	Systemmonitor Rx Unsupported Packet Unit
Type	Unsigned Integer Field
Field Size	5
Access policy	Read-Only
Storage policy	Transient

Example 18.42. Usage of FG\_SYSTEMMONITOR\_RX\_UNSUPPORTED\_PACKET\_COUNT

```
int result = 0;

FieldParameterInt access;
const enum FgParamTypes type = FG_PARAM_TYPE_STRUCT_FIELDPARAMINT;

if ((result = Fg_getParameterWithType(fg, FG_SYSTEMMONITOR_RX_UNSUPPORTED_PACKET_COUNT, &access, 0, type)) < 0) {
    /* error handling */
}
```



---

}

---

### 18.25.2. FG\_CXP\_UNSUPPORTED\_GPIO\_RECEIVED

This parameter returns information whether a GPIO packet was received while using a CXP standard higher than 1.0. Range: 0 (NO) to 1 (YES).

Table 18.43. Parameter properties of FG\_CXP\_UNSUPPORTED\_GPIO\_RECEIVED

Property	Value
Name	<b>FG_CXP_UNSUPPORTED_GPIO_RECEIVED</b>
Display Name	<b>CXP Unsupported GPIO Received</b>
Type	<b>Unsigned Integer Field</b>
Field Size	<b>5</b>
Access policy	<b>Read-Only</b>
Storage policy	<b>Transient</b>

Example 18.43. Usage of FG\_CXP\_UNSUPPORTED\_GPIO\_RECEIVED

---

```

int result = 0;

FieldParameterInt access;
const enum FgParamTypes type = FG_PARAM_TYPE_STRUCT_FIELDPARAMINT;

    if ((result = Fg_getParameterWithType(fg, FG_CXP_UNSUPPORTED_GPIO_RECEIVED, &access, 0, type)) < 0) {
        /* error handling */
    }
}

```

---

### 18.25.3. FG\_CXP\_UNSUPPORTED\_EVENT\_RECEIVED

This parameter returns information whether an event packet was received while using a CXP standard less than 2.0. Range: 0 (NO) to 1 (YES).

Table 18.44. Parameter properties of FG\_CXP\_UNSUPPORTED\_EVENT\_RECEIVED

Property	Value
Name	<b>FG_CXP_UNSUPPORTED_EVENT_RECEIVED</b>
Display Name	<b>CXP Unsupported Event Received</b>
Type	<b>Unsigned Integer Field</b>
Field Size	<b>5</b>
Access policy	<b>Read-Only</b>
Storage policy	<b>Transient</b>

Example 18.44. Usage of FG\_CXP\_UNSUPPORTED\_EVENT\_RECEIVED

---

```

int result = 0;

FieldParameterInt access;
const enum FgParamTypes type = FG_PARAM_TYPE_STRUCT_FIELDPARAMINT;

    if ((result = Fg_getParameterWithType(fg, FG_CXP_UNSUPPORTED_EVENT_RECEIVED, &access, 0, type)) < 0) {
        /* error handling */
    }
}

```

---

### 18.25.4. FG\_CXP\_UNSUPPORTED\_HEARTBEAT\_RECEIVED

This parameter returns information whether a heartbeat packet was received while using a CXP standard less than 2.0. Range: 0 (NO) to 1 (YES).

Table 18.45. Parameter properties of FG\_CXP\_UNSUPPORTED\_HEARTBEAT\_RECEIVED

Property	Value
Name	<b>FG_CXP_UNSUPPORTED_HEARTBEAT_RECEIVED</b>
Display Name	<b>CXP Unsupported Hearbeat Received</b>
Type	<b>Unsigned Integer Field</b>
Field Size	<b>5</b>
Access policy	<b>Read-Only</b>
Storage policy	<b>Transient</b>

Example 18.45. Usage of FG\_CXP\_UNSUPPORTED\_HEARTBEAT\_RECEIVED

```
int result = 0;

FieldParameterInt access;
const enum FgParamTypes type = FG_PARAM_TYPE_STRUCT_FIELDPARAMINT;

    if ((result = Fg_getParameterWithType(fg, FG_CXP_UNSUPPORTED_HEARTBEAT_RECEIVED, &access, 0, type)) < 0) {
        /* error handling */
    }
}
```

### 18.25.5. FG\_CXP\_UNSUPPORTED\_GPIO\_ACK\_RECEIVED

This parameter returns information whether a GPIO acknowledgment was received while using a CXP standard higher than 1.0. Range: 0 (NO) to 1 (YES).

Table 18.46. Parameter properties of FG\_CXP\_UNSUPPORTED\_GPIO\_ACK\_RECEIVED

Property	Value
Name	<b>FG_CXP_UNSUPPORTED_GPIO_ACK_RECEIVED</b>
Display Name	<b>CXP Unsupported GPIO ACK Received</b>
Type	<b>Unsigned Integer Field</b>
Field Size	<b>5</b>
Access policy	<b>Read-Only</b>
Storage policy	<b>Transient</b>

Example 18.46. Usage of FG\_CXP\_UNSUPPORTED\_GPIO\_ACK\_RECEIVED

```
int result = 0;

FieldParameterInt access;
const enum FgParamTypes type = FG_PARAM_TYPE_STRUCT_FIELDPARAMINT;

    if ((result = Fg_getParameterWithType(fg, FG_CXP_UNSUPPORTED_GPIO_ACK_RECEIVED, &access, 0, type)) < 0) {
        /* error handling */
    }
}
```

### 18.25.6. FG\_CXP\_UNSUPPORTED\_GPIO\_REQUEST\_RECEIVED

This parameter returns information whether a GPIO request from VisualApplets was received while using a CXP standard higher than 1.0. Range: 0 (NO) to 1 (YES).

Table 18.47. Parameter properties of FG\_CXP\_UNSUPPORTED\_GPIO\_REQUEST\_RECEIVED

Property	Value
Name	<b>FG_CXP_UNSUPPORTED_GPIO_REQUEST_RECEIVED</b>
Display Name	<b>CXP Unsupported GPIO Request Received</b>
Type	<b>Unsigned Integer Field</b>
Field Size	<b>5</b>
Access policy	<b>Read-Only</b>
Storage policy	<b>Transient</b>

Example 18.47. Usage of FG\_CXP\_UNSUPPORTED\_GPIO\_REQUEST\_RECEIVED

```

int result = 0;

FieldParameterInt access;
const enum FgParamTypes type = FG_PARAM_TYPE_STRUCT_FIELDPARAMINT;

    if ((result = Fg_getParameterWithType(fg, FG_CXP_UNSUPPORTED_GPIO_REQUEST_RECEIVED, &access, 0, type)) < 0) {
        /* error handling */
    }
}

```

---

# Chapter 19. Revision History

Revision history of acquisition applet releases.

Applet Version	Release Date	Change Log	Delivered with
1.0.1.0	31 Jul 2024	Initial version of this applet.	Framegrabber SDK 5.11.3

---

# Glossary

Area of Interest (AOI)	See Region of Interest.
Board	A Basler hardware. Usually, a board is represented by a frame grabber. Boards might comprise multiple devices.
Board ID Number	An identification number of a Basler board in a PC system. The number is not fixed to a specific hardware but has to be unique in a PC system.
Camera Index	The index of a camera connected to a frame grabber. The first camera will have index zero. Mind the difference between the camera index and the frame grabber camera port. See also Camera Port.
Camera Port	The Basler frame grabber connectors for cameras are called camera ports. They are numbered {0, 1, 2, ...} or enumerated {A, B, C, ...}. Depending on the interface one camera could be connected to multiple camera ports. Also, multiple cameras could be connected to one camera port.
Camera Tap	See Tap.
Device	A board can consist of multiple devices. Devices are numbered. The first device usually has number one.
Direct Memory Access (DMA)	<p>A DMA transfer allows hardware subsystems within the computer to access the system memory independently of the central processing unit (CPU).</p> <p>Basler uses DMAs for data transfer such as image data between a board e.g. a frame grabber and a PC. Data transfers can be established in multiple directions i.e. from a frame grabber to the PC (download) and from the PC to a frame grabber (upload). Multiple DMA channels may exist for one board. Control and configuration data usually do not use DMA channels.</p>
DMA Channel	See DMA Index.
DMA Index	The index of a DMA transfer channel. See also Direct Memory Access.
Event	<p>In programming or runtime environments, a callback function is a piece of executable code that is passed as an argument, which is expected to call back (execute) exactly that time an event is triggered. These events are not related to a special camera functionality and based on frame grabber internal functionality.</p> <p>Basler uses hardware interrupts for the event transfer and processing is absolutely optimized for low latency. These interrupts are only produced by the frame grabber if an event is registered and activated by software. If an event is fired at a very high frequency this may influence the system performance.</p> <p>For example these events can be used to check the reliability between a frame trigger input and the resulting and expected camera frame.</p> <p>The Basler Framegrabber SDK enables an application to get these event notifications about certain state changes at the data flow from camera to RAM and the image and trigger processing as well. Please consult the Basler Framegrabber SDK documentation for more details concerning the implementation of this functionality. Some events are enabled to produce additional data, which is described for the event itself.</p>

---

Frame Grabber	Usually a PC hardware using PCI express to interface the camera and grab camera images. The frame grabber will grab, buffer, pre-process and forward the images to the PC memory. Moreover, the frame grabber performs the trigger signal processing to trigger the camera, external lights and controllers. On V-series frame grabber custom processing can be implemented using VisualApplets. See also Direct Memory Access, Interface Card, VisualApplets.
GenICam	Generic Interface for Cameras is a generic programming interface for machine vision (industrial) cameras.
GenTL	GenICam Transport Layer. This is the transport layer interface for enumerating cameras, grabbing images from the camera, and moving them to the user application.
Interface Card	Usually a PC hardware using PCI express to interface the camera and grab camera images. The interface card will grab, buffer and forward the images to the PC memory. Moreover, the interface card performs the trigger signal processing to trigger the camera, external lights and controllers. See also Direct Memory Access, Frame Grabber.
Port	See Camera Port.
Process	An image or signal data processing block. A process can include one or more cameras, one or more DMA channels and modules.
Region of Interest (ROI)	Represents a part of a frame. Mostly rectangular and within the original image boundaries. Defined by source coordinates and its dimension. The frame grabber cuts the region of interest from the camera image. A region of interest might reduce or increase the required bandwidth and the corresponding image dimension.
Sensor Tap	See Tap.
Software Callback	See Event.
Tap	Some cameras have multiple taps. This means, they can acquire or transfer more than one pixel at a time which increases the camera's acquisition speed. The camera sensor tap readout order varies. Some cameras read the pixels interlaced using multiple taps, while some cameras read the pixel simultaneously from different locations on the sensor. The reconstruction of the frame is called sensor readout correction.  The Camera Link interface is also using multiple taps for image transfer to increase the bandwidth. These taps are independent from the sensor taps.
Trigger	In machine vision and image processing, a trigger is an event which causes an action. This can be for example the initiation of a new line or frame acquisition, the control of external hardware such as flash lights or actions by a software applications. Trigger events can be initiated by external sources, an internal frequency generator (timer) or software applications. The event itself is mostly based on a rising or falling edge of a electrical signal.
Trigger Input	A logic input of a trigger IO. The first input has index 0. Check mapping of input pins to logic inputs in the hardware documentation.
Trigger Output	A logic output of a trigger IO. The first output has index 1. Please check the mapping of output pins to logic outputs in the hardware documentation. The electrical characteristics and specification can be found related to the selected or used trigger board/connector.
Trigger Reliability	See Event.

User Interrupt

See Event.

VisualApplets

Simple programming of FPGA-based image processing devices.

VisualApplets enables access to the FPGA processors in the image processing hardware, such as frame grabbers, industrial cameras and image processing devices, to implement individual image processing applications.

---

# Index

## A

Area of Interest, 23

## B

Bandwidth, 3

Boardstatus, 157

## C

Camera, 17

Events, 17

Format, 7

Interface, 4, 17

Camera Simulator, 124, 124

Camera::Events, 17

CoaXPress, 7

CoaXPress::Test, 13

Color Converter, 103

CXP Source Tag, 4

## E

Errors, 164

Errors::CRC, 174

Errors::LengthErrors, 175

Errors::ReceivedPacketsCorrected, 176

Errors::ReceivedPacketsUncorrected, 180

Errors::UnsupportedPackets, 184

Events

Camera, 17

Digital Inputs, 31, 56

Overflow, 98

Trigger, 31

Trigger Lost Detection, 87

Trigger Output, 92

Trigger Queue, 62

## F

Features, 1

FG\_APPLET\_BUILD\_TIME, 136

FG\_APPLET\_ID, 135

FG\_APPLET\_REVISION, 139

FG\_APPLET\_VERSION, 139

FG\_AREATRIGGERMODE, 46

FG\_BITALIGNMENT, 121

FG\_CAMERASIMULATOR\_ACTIVE, 133

FG\_CAMERASIMULATOR\_ENABLE, 124

FG\_CAMERASIMULATOR\_FRAMERATE, 131

FG\_CAMERASIMULATOR\_FRAME\_GAP, 127

FG\_CAMERASIMULATOR\_HEIGHT, 126

FG\_CAMERASIMULATOR\_LINERATE, 131

FG\_CAMERASIMULATOR\_LINE\_GAP, 126

FG\_CAMERASIMULATOR\_PASSIVE, 133

FG\_CAMERASIMULATOR\_PATTERN, 128

FG\_CAMERASIMULATOR\_PATTERN\_OFFSET, 128

FG\_CAMERASIMULATOR\_PIXEL\_FREQUENCY, 130

FG\_CAMERASIMULATOR\_ROLL, 129



FG\_CAMERASIMULATOR\_SELECT\_MODE, 130  
FG\_CAMERASIMULATOR\_TRIGGER\_MODE, 132  
FG\_CAMERASIMULATOR\_WIDTH, 125  
FG\_CAMERA\_STREAM\_STATUS0, 17  
FG\_CAMSTATUS, 136  
FG\_CAMSTATUS\_EXTENDED, 137  
FG\_CORRECTED\_ERROR\_COUNT, 180  
FG\_CUSTOM\_BIT\_SHIFT\_RIGHT, 122  
FG\_CXP\_CAMERA\_FRAME\_CORRUPT\_COUNT, 173  
FG\_CXP\_CAMERA\_FRAME\_LOST\_COUNT, 173  
FG\_CXP\_CAMERA\_MARKER\_ERROR\_COUNT, 172  
FG\_CXP\_CAMERA\_UNEXPECTED\_STARTUP\_DATA, 172  
FG\_CXP\_CLEAR\_TEST\_STATISTIC\_PORT, 15  
FG\_CXP\_CONTROL\_ACK\_INCOMPLETE\_COUNT, 168  
FG\_CXP\_CONTROL\_ACK\_LOST\_COUNT, 167  
FG\_CXP\_CONTROL\_ACK\_PACKET\_CRC\_ERROR, 175  
FG\_CXP\_CONTROL\_TAG\_ERROR\_COUNT, 167  
FG\_CXP\_CORRUPTED\_WORD\_COUNT, 14  
FG\_CXP\_ERROR\_CORRECTED, 176  
FG\_CXP\_ERROR\_CORRECTED\_CONTROL\_ACK, 178  
FG\_CXP\_ERROR\_CORRECTED\_HEARTBEAT, 179  
FG\_CXP\_ERROR\_CORRECTED\_LINKTEST, 179  
FG\_CXP\_ERROR\_CORRECTED\_STREAM, 178  
FG\_CXP\_ERROR\_CORRECTED\_TRIGGER, 177  
FG\_CXP\_ERROR\_CORRECTED\_TRIGGER\_ACK, 177  
FG\_CXP\_ERROR\_UNCORRECTED, 180  
FG\_CXP\_ERROR\_UNCORRECTED\_CONTROL\_ACK, 182  
FG\_CXP\_ERROR\_UNCORRECTED\_HEARTBEAT, 183  
FG\_CXP\_ERROR\_UNCORRECTED\_LINKTEST, 183  
FG\_CXP\_ERROR\_UNCORRECTED\_STREAM, 182  
FG\_CXP\_ERROR\_UNCORRECTED\_TRIGGER, 181  
FG\_CXP\_ERROR\_UNCORRECTED\_TRIGGER\_ACK, 181  
FG\_CXP\_HEARTBEAT\_INCOMPLETE\_COUNT, 168  
FG\_CXP\_HEARTBEAT\_MAX\_PERIOD\_VIOLATION\_COUNT, 169  
FG\_CXP\_IMAGETAG\_ERROR\_COUNT, 171  
FG\_CXP\_INPUT\_MAPPED\_FW\_PORT\_PORT, 163  
FG\_CXP\_OVERTRIGGER\_REQUEST\_PULSECOUNT, 166  
FG\_CXP\_PACKET\_LENGTH\_ERROR\_COUNT, 15  
FG\_CXP\_RECEIVED\_PACKET\_COUNT, 14  
FG\_CXP\_STREAMID\_ERROR\_COUNT, 171  
FG\_CXP\_STREAMPACKET\_CRC\_ERROR, 174  
FG\_CXP\_STREAMPACKET\_LENGTH\_ERROR, 176  
FG\_CXP\_STREAM\_PACKET\_COUNT, 10  
FG\_CXP\_TRANSMITTED\_PACKET\_COUNT, 14  
FG\_CXP\_TRIGGER\_ACK\_MISSING\_COUNT, 166  
FG\_CXP\_TRIGGER\_PACKET\_MODE, 140  
FG\_CXP\_UNSUPPORTED\_EVENT\_RECEIVED, 185  
FG\_CXP\_UNSUPPORTED\_GPIO\_ACK\_RECEIVED, 186  
FG\_CXP\_UNSUPPORTED\_GPIO\_RECEIVED, 185  
FG\_CXP\_UNSUPPORTED\_GPIO\_REQUEST\_RECEIVED, 186  
FG\_CXP\_UNSUPPORTED\_HEARTBEAT\_RECEIVED, 185  
FG\_DEBUGFILE, 147  
FG\_DEBUGINENABLE, 147  
FG\_DEBUGINSERT, 148  
FG\_DEBUGOUTENABLE, 151  
FG\_DEBUGOUTPIXEL, 152  
FG\_DEBUGOUTXPOS, 151  
FG\_DEBUGOUTYPOS, 152

FG\_DEBUGREADY, 149  
FG\_DEBUGSAVECONFIG, 144  
FG\_DEBUGSOURCE, 143  
FG\_DEBUGSOURCENAME, 143  
FG\_DEBUGWRITEFLAG, 149  
FG\_DEBUGWRITEPIXEL, 148  
FG\_DEBUG\_FORCE\_FRAMEID, 150  
FG\_DEBUG\_FRAMEID, 150  
FG\_DEBUG\_FRAMEID\_TO\_FIRSTPIXEL, 146  
FG\_DEBUG\_PWM\_SLOWRATE, 145  
FG\_DEBUG\_SLOWMODE, 144  
FG\_DEBUG\_SOFTWRAE\_SLOWGATE, 145  
FG\_DEBUG\_VERSION, 146  
FG\_DMASTATUS, 158  
FG\_END\_OF\_FRAME\_CAM\_PORT\_0, 19  
FG\_EXTENSION\_GPO\_TYPE, 154  
FG\_FILLLEVEL, 93  
FG\_FORMAT, 117  
FG\_FRONT\_GPI, 51  
FG\_FRONT\_GPI\_PULL\_CONTROL, 154  
FG\_FRONT\_GPI\_TYPE, 155  
FG\_FRONT\_GPO\_INVERSION, 156  
FG\_GENTL\_INFO\_IGNOREFGFORMAT, 153  
FG\_GENTL\_INFO\_OVERFLOWCAPABLE, 154  
FG\_GENTL\_INFO\_VERSION, 153  
FG\_GPI, 50  
FG\_HAP\_FILE, 136  
FG\_HEIGHT, 24  
FG\_IMAGE\_TAG, 4  
FG\_IMG\_SELECT, 100  
FG\_IMG\_SELECT\_PERIOD, 99  
FG\_LUT\_CUSTOM\_FILE, 108  
FG\_LUT\_ENABLE, 104  
FG\_LUT\_IMPLEMENTATION\_TYPE, 110  
FG\_LUT\_IN\_BITS, 110  
FG\_LUT\_OUT\_BITS, 111  
FG\_LUT\_SAVE\_FILE, 109  
FG\_LUT\_TYPE, 105  
FG\_LUT\_VALUE, 105  
FG\_LUT\_VALUE\_BLUE, 107  
FG\_LUT\_VALUE\_GREEN, 106  
FG\_LUT\_VALUE\_RED, 106  
FG\_MISSING\_CAM0\_FRAME\_RESPONSE, 91  
FG\_MISSING\_CAMERA\_FRAME\_RESPONSE, 89  
FG\_MISSING\_CAMERA\_FRAME\_RESPONSE\_CLEAR, 91  
FG\_OVERFLOW, 94  
FG\_OVERFLOW\_CAM0, 98  
FG\_OVERFLOW\_EVENT\_SELECT, 96  
FG\_OVERFLOW\_OFF\_THRESHOLD, 94  
FG\_OVERFLOW\_ON\_SYNC\_THRESHOLD, 96  
FG\_OVERFLOW\_ON\_THRESHOLD, 95  
FG\_PACKET\_TAG\_ERROR\_COUNT, 169  
FG\_PIXELDEPTH, 121  
FG\_PIXELFORMAT, 10  
FG\_PROCESSING\_GAIN, 113  
FG\_PROCESSING\_GAMMA, 114  
FG\_PROCESSING\_INVERT, 115  
FG\_PROCESSING\_OFFSET, 113

FG\_SCALINGFACTOR\_BLUE, 102  
FG\_SCALINGFACTOR\_GREEN, 101  
FG\_SCALINGFACTOR\_RED, 101  
FG\_SENDSOFTWARETRIGGER, 54  
FG\_SENSORHEIGHT, 21  
FG\_SENSORWIDTH, 20  
FG\_SOFTWARETRIGGER\_IS\_BUSY, 55  
FG\_SOFTWARETRIGGER\_QUEUE\_FILLLEVEL, 55  
FG\_START\_OF\_FRAME\_CAM\_PORT\_0, 19  
FG\_SYSTEMMONITOR\_BYTE\_ALIGNMENT\_8B\_10B\_LOCKED, 164  
FG\_SYSTEMMONITOR\_CHANNEL\_CURRENT, 157  
FG\_SYSTEMMONITOR\_CHANNEL\_VOLTAGE, 157  
FG\_SYSTEMMONITOR\_CURRENT\_LINK\_SPEED, 161  
FG\_SYSTEMMONITOR\_CURRENT\_LINK\_WIDTH, 161  
FG\_SYSTEMMONITOR\_CXP\_IMAGE\_LINE\_MODE, 12  
FG\_SYSTEMMONITOR\_CXP\_STANDARD, 9  
FG\_SYSTEMMONITOR\_DECODER\_8B\_10B\_ERROR, 164  
FG\_SYSTEMMONITOR\_EXTERNAL\_POWER, 163  
FG\_SYSTEMMONITOR\_FPGA\_DNA\_HIGH, 138  
FG\_SYSTEMMONITOR\_FPGA\_DNA\_LOW, 138  
FG\_SYSTEMMONITOR\_FPGA\_TEMPERATURE, 159  
FG\_SYSTEMMONITOR\_FPGA\_VCC\_AUX, 160  
FG\_SYSTEMMONITOR\_FPGA\_VCC\_BRAM, 160  
FG\_SYSTEMMONITOR\_FPGA\_VCC\_INT, 159  
FG\_SYSTEMMONITOR\_MAPPED\_TO\_FG\_PORT, 158  
FG\_SYSTEMMONITOR\_PACKETBUFFER\_OVERFLOW\_COUNT, 170  
FG\_SYSTEMMONITOR\_PACKETBUFFER\_OVERFLOW\_SOURCE, 170  
FG\_SYSTEMMONITOR\_PCIE\_TRAINED\_PAYLOAD\_SIZE, 162  
FG\_SYSTEMMONITOR\_PCIE\_TRAINED\_REQUEST\_SIZE, 162  
FG\_SYSTEMMONITOR\_PORT\_BIT\_RATE, 8  
FG\_SYSTEMMONITOR\_POWER\_OVER\_CXP\_CONTROLLER\_ENABLED, 7  
FG\_SYSTEMMONITOR\_POWER\_OVER\_CXP\_STATE, 7  
FG\_SYSTEMMONITOR\_RX\_LENGTH\_ERROR\_COUNT, 175  
FG\_SYSTEMMONITOR\_RX\_PACKET\_CRC\_ERROR\_COUNT, 174  
FG\_SYSTEMMONITOR\_RX\_STREAM\_INCOMPLETE\_COUNT, 165  
FG\_SYSTEMMONITOR\_RX\_UNKNOWN\_DATA\_RECEIVED\_COUNT, 165  
FG\_SYSTEMMONITOR\_RX\_UNSUPPORTED\_PACKET\_COUNT, 184  
FG\_SYSTEMMONITOR\_STREAM\_PACKET\_SIZE, 8  
FG\_SYSTEMMONITOR\_USED\_CXP\_CONNECTIONS, 11  
FG\_TAPGEOMETRY, 12  
FG\_TIMEOUT, 135  
FG\_TRIGGERCAMERA\_OUT\_SELECT, 141  
FG\_TRIGGERCAMERA\_SOURCE\_CXP0, 69  
FG\_TRIGGERCAMERA\_SOURCE\_CXP1, 71  
FG\_TRIGGERCAMERA\_SOURCE\_CXP2, 73  
FG\_TRIGGERCAMERA\_SOURCE\_CXP3, 75  
FG\_TRIGGERIN\_DEBOUNCE, 49  
FG\_TRIGGERIN\_DOWNSCALE, 53  
FG\_TRIGGERIN\_DOWNSCALE\_PHASE, 53  
FG\_TRIGGERIN\_POLARITY, 52  
FG\_TRIGGERIN\_SRC, 51  
FG\_TRIGGERIN\_STATS\_FREQUENCY, 58  
FG\_TRIGGERIN\_STATS\_MAXFREQUENCY, 59  
FG\_TRIGGERIN\_STATS\_MINFREQUENCY, 59  
FG\_TRIGGERIN\_STATS\_MINMAXFREQUENCY\_CLEAR, 60  
FG\_TRIGGERIN\_STATS\_POLARITY, 56  
FG\_TRIGGERIN\_STATS\_PULSECOUNT, 57  
FG\_TRIGGERIN\_STATS\_PULSECOUNT\_CLEAR, 58

FG\_TRIGGERIN\_STATS\_SOURCE, 56  
FG\_TRIGGEROUT\_SELECT\_FRONT\_GPO\_0, 79  
FG\_TRIGGEROUT\_SELECT\_FRONT\_GPO\_1, 81  
FG\_TRIGGEROUT\_SELECT\_FRONT\_GPO\_2, 83  
FG\_TRIGGEROUT\_SELECT\_FRONT\_GPO\_3, 85  
FG\_TRIGGEROUT\_SELECT\_GPO\_0, 77  
FG\_TRIGGEROUT\_SELECT\_GPO\_1, 77  
FG\_TRIGGEROUT\_SELECT\_GPO\_2, 77  
FG\_TRIGGEROUT\_SELECT\_GPO\_3, 77  
FG\_TRIGGEROUT\_SELECT\_GPO\_4, 77  
FG\_TRIGGEROUT\_SELECT\_GPO\_5, 77  
FG\_TRIGGEROUT\_SELECT\_GPO\_6, 77  
FG\_TRIGGEROUT\_SELECT\_GPO\_7, 77  
FG\_TRIGGEROUT\_STATS\_PULSECOUNT, 88  
FG\_TRIGGEROUT\_STATS\_PULSECOUNT\_CLEAR, 89  
FG\_TRIGGEROUT\_STATS\_SOURCE, 88  
FG\_TRIGGERQUEUE\_FILLLEVEL, 63  
FG\_TRIGGERQUEUE\_MODE, 62  
FG\_TRIGGERSTATE, 47  
FG\_TRIGGER\_EXCEEDED\_PERIOD\_LIMITS, 87  
FG\_TRIGGER\_EXCEEDED\_PERIOD\_LIMITS\_CAM0, 91  
FG\_TRIGGER\_EXCEEDED\_PERIOD\_LIMITS\_CLEAR, 87  
FG\_TRIGGER\_FRAMESPERSECOND, 35, 48  
FG\_TRIGGER\_FRONT\_GPIO\_FALLING, 60  
FG\_TRIGGER\_FRONT\_GPIO\_RISING, 60  
FG\_TRIGGER\_INPUT0\_FALLING, 61  
FG\_TRIGGER\_INPUT0\_RISING, 60  
FG\_TRIGGER\_MULTIPLY\_PULSES, 38, 61  
FG\_TRIGGER\_OUTPUT\_CAM0, 92  
FG\_TRIGGER\_OUTPUT\_EVENT\_SELECT, 92  
FG\_TRIGGER\_PULSEFORMGEN0\_DELAY, 67  
FG\_TRIGGER\_PULSEFORMGEN0\_DOWNSCALE, 65  
FG\_TRIGGER\_PULSEFORMGEN0\_DOWNSCALE\_PHASE, 66  
FG\_TRIGGER\_PULSEFORMGEN0\_WIDTH, 68  
FG\_TRIGGER\_PULSEFORMGEN1\_DELAY, 67  
FG\_TRIGGER\_PULSEFORMGEN1\_DOWNSCALE, 66  
FG\_TRIGGER\_PULSEFORMGEN1\_DOWNSCALE\_PHASE, 66  
FG\_TRIGGER\_PULSEFORMGEN1\_WIDTH, 68  
FG\_TRIGGER\_PULSEFORMGEN2\_DELAY, 67  
FG\_TRIGGER\_PULSEFORMGEN2\_DOWNSCALE, 66  
FG\_TRIGGER\_PULSEFORMGEN2\_DOWNSCALE\_PHASE, 66  
FG\_TRIGGER\_PULSEFORMGEN2\_WIDTH, 68  
FG\_TRIGGER\_PULSEFORMGEN3\_DELAY, 67  
FG\_TRIGGER\_PULSEFORMGEN3\_DOWNSCALE, 66  
FG\_TRIGGER\_PULSEFORMGEN3\_DOWNSCALE\_PHASE, 66  
FG\_TRIGGER\_PULSEFORMGEN3\_WIDTH, 68  
FG\_TRIGGER\_QUEUE\_FILLLEVEL\_EVENT\_OFF\_THRESHOLD, 64  
FG\_TRIGGER\_QUEUE\_FILLLEVEL\_EVENT\_ON\_THRESHOLD, 63  
FG\_TRIGGER\_QUEUE\_FILLLEVEL\_THRESHOLD\_CAM0\_OFF, 64  
FG\_TRIGGER\_QUEUE\_FILLLEVEL\_THRESHOLD\_CAM0\_ON, 64  
FG\_UNCORRECTED\_ERROR\_COUNT, 184  
FG\_VANTAGEPOINT, 20  
FG\_VISUALAPPLETS\_BUILD\_VERSION, 140  
FG\_WIDTH, 24  
FG\_XOFFSET, 25  
FG\_YOFFSET, 26  
Format, 117  
Frame ID, 4

**G**

Generator, 124  
GPI, 50, 51

**I**

Image Select, 99  
Image Selector, 99  
Image Tag, 4  
Image Transfer, 4

**L**

Lookup Table, 104, 104  
Lookup Table::Applet Properties, 110

**M**

Miscellaneous, 135  
Miscellaneous::Debug, 143  
Miscellaneous::Debug::Input, 147  
Miscellaneous::Debug::Output, 151  
Miscellaneous::GenTL, 153  
Miscellaneous::GPIO Configuration, 154  
Miscellaneous::Legacy, 140  
Miscellaneous::Version, 139

**O**

Output Format, 117  
Overflow, 93, 93  
    Events, 98  
Overflow::Events, 97

**P**

PC Interface, 4  
Pixel Format, 7  
Processing, 112  
Processor, 112

**R**

Region of Interest, 23  
ROI, 23

**S**

Sensor Geometry, 20, 20  
Software Interface, 6  
Source Tag, 4  
Specifications, 1

**T**

Trigger, 27, 27  
    Activate, 47  
    Busy, 55  
    Bypass, 45  
    Camera Signal Mapping, 69  
    Debounce, 49  
    Debugging, 45  
    Digital Input, 31, 50, 51  
    Digital Input Output Mapping, 31  
    Digital Output, 31, 34, 77

Downscale Input, 53  
Encoder, 34  
Error Detection, 45  
Events, 31  
Exceeded Period Limits, 87  
Exsync, 34  
External, 34, 46, 49  
Flash, 34, 36  
Frame Rate, 32  
Framerate, 48  
Generator, 32, 46  
GPI, 50, 51  
Grabber Controlled, 32  
Image Trigger, 34  
Input, 49, 50, 51  
Input Statistics, 56  
IO Triggered, 34  
Length, 33  
Lost Trigger, 45, 87  
Missing Frame Response, 89  
Mode, 46  
Multi Camera, 45  
Multiply Pulses, 61  
Output, 77  
Output Event, 92  
Output Statistics, 87  
Period, 48  
Pin Allocation, 31  
Polarity Input, 52, 57  
Pulse Form Generator, 65  
Pulse Multiplication, 36  
Queue, 42, 44, 62  
Sequencer, 36, 61  
Signal Length, 33  
Signal Width, 33  
Software Controlled, 54  
Software Trigger, 39, 46, 54  
Start, 47  
Stop, 47  
Synchronized, 45  
Synchronized Cameras, 45  
System Analysis, 45  
Trigger IO, 31  
Width, 33  
Trigger::Camera Out Signal Mapping, 69  
Trigger::Digital Output, 77  
Trigger::Digital Output::Statistics, 87  
Trigger::Output Event, 91  
Trigger::Pulse Form Generator 0, 65  
Trigger::Pulse Form Generator 1, 68  
Trigger::Pulse Form Generator 2, 68  
Trigger::Pulse Form Generator 3, 69  
Trigger::Queue, 62  
Trigger::Sequencer, 61  
Trigger::Trigger Input, 49  
Trigger::Trigger Input::External, 49  
Trigger::Trigger Input::Software Trigger, 54  
Trigger::Trigger Input::Statistics, 56

**W**

White Balance, 101, 101